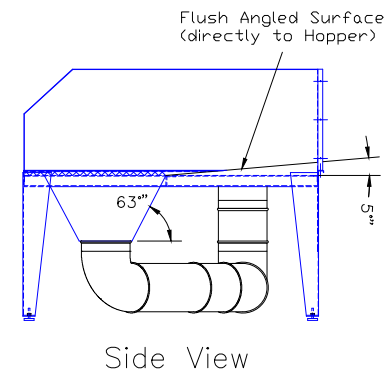
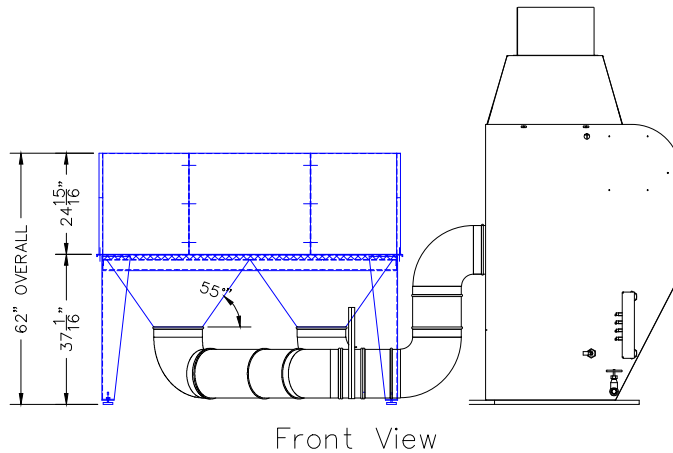
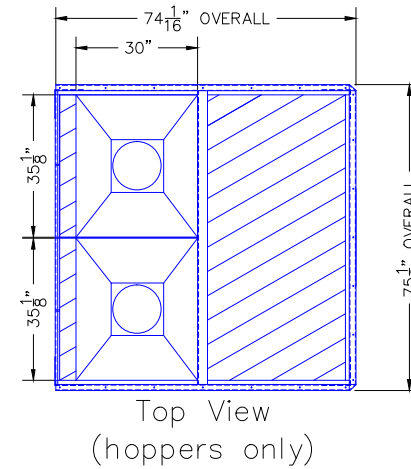
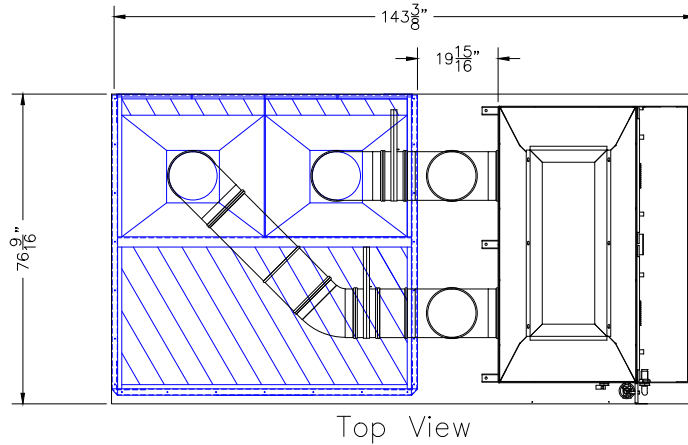


Downdraft Table Duct Layout



Notes:

1. Table/Hoppers In Blue
2. Duct in White
3. Elbows welded/siliconed to Hoppers
4. Covered aread at 5° angle to slope to hopper area

Avani Environmental Intl.
95 Cypress Drive
Youngsville, NC 27596
P# 919-570-2862 F# 919-570-2863

Avani

Project: Eaton Electrical

Drawing: Downdraft Table

Date: 4/30/2013 Drawn by:MDT

Sheet No: 1 Of 1

Rev:1