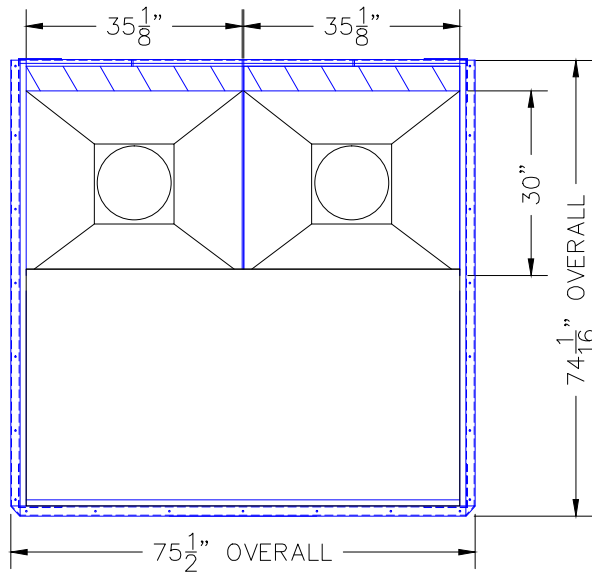


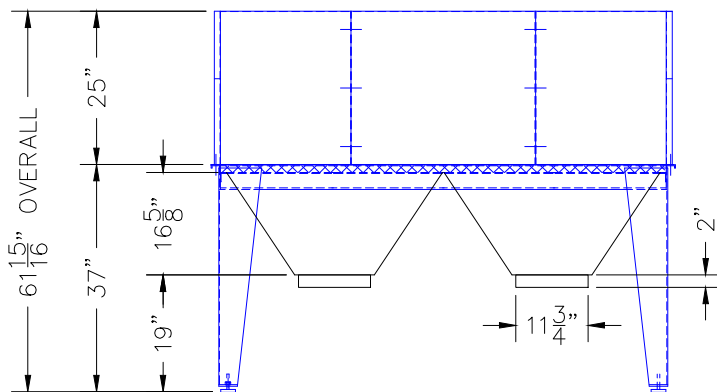
Downdraft Table Duct Layout



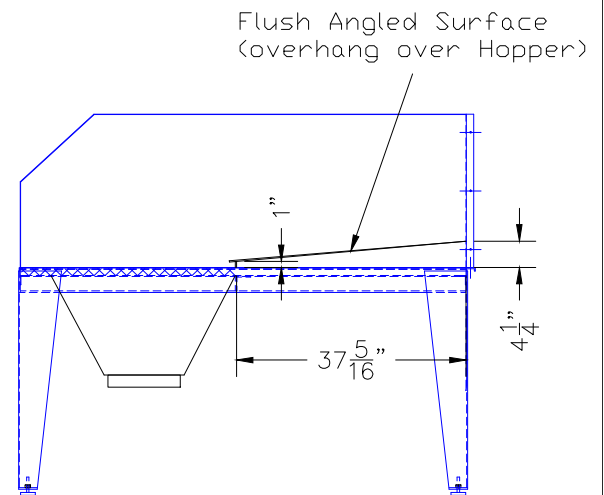
Top View

Notes:

1. Table in Blue
2. Modifications in Black
3. Covered area at 5° angle to slope to hopper area



Front View



Side View

Avani Environmental Intl.
95 Cypress Drive
Youngsville, NC 27596
P# 919-570-2862 F# 919-570-2863

Avani

Project: Eaton Electrical	
Drawing: Downdraft Table	
Date: 5/3/2013	Drawn by: MDT
Sheet No: 1 Of 1	Rev: 1