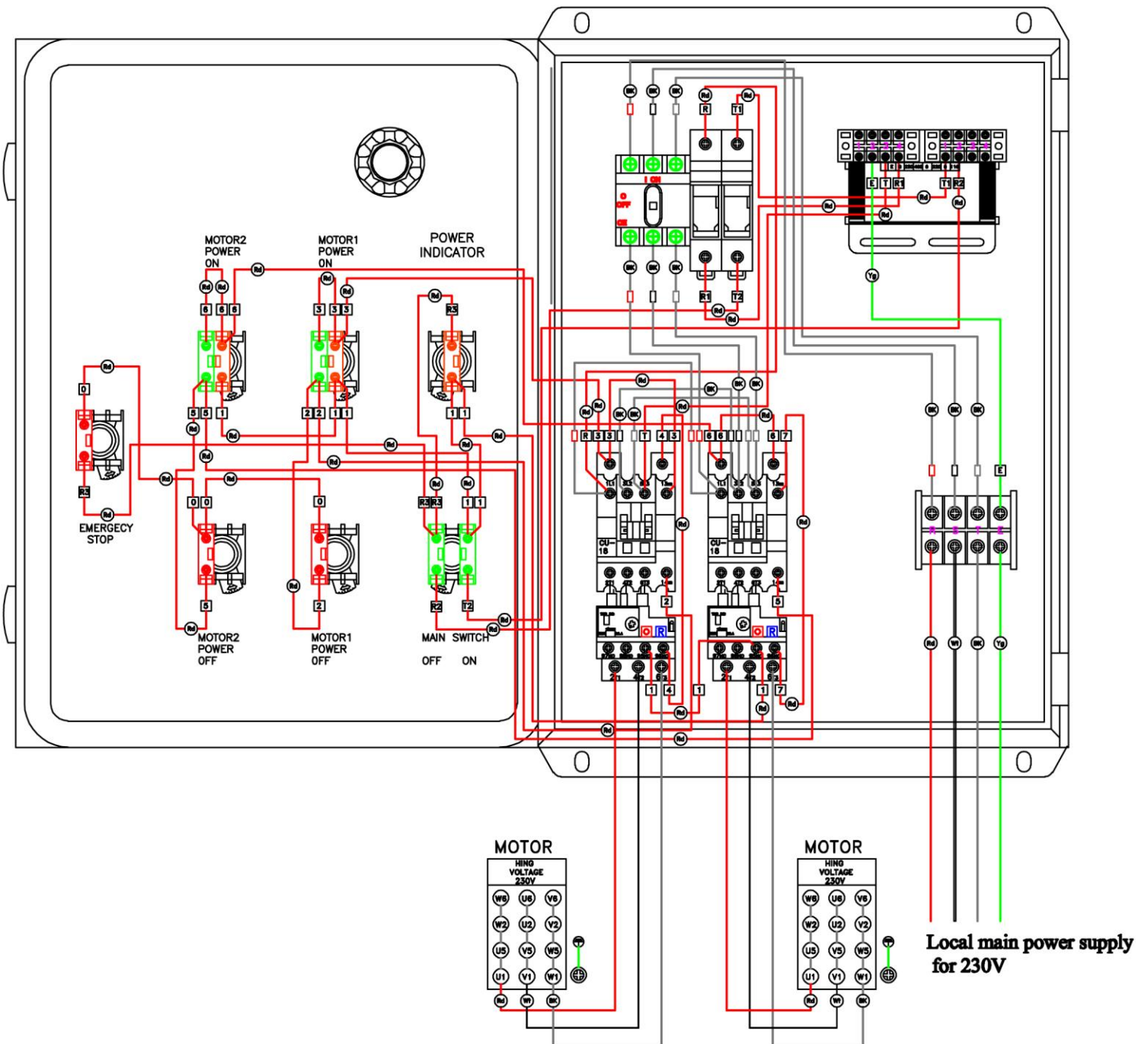
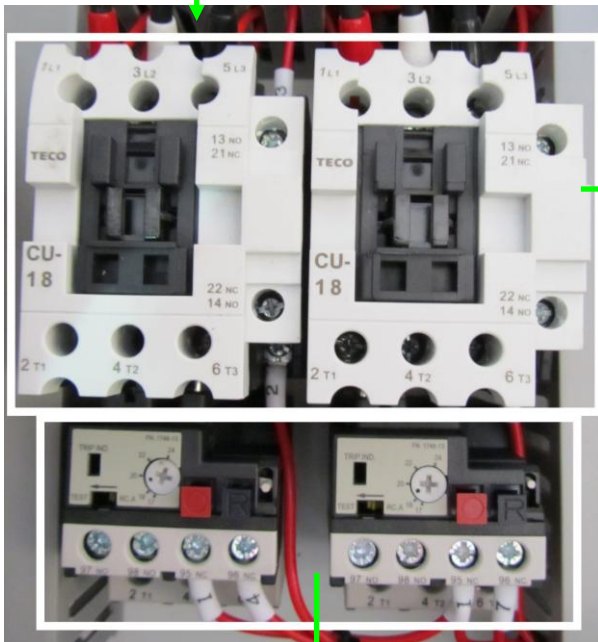
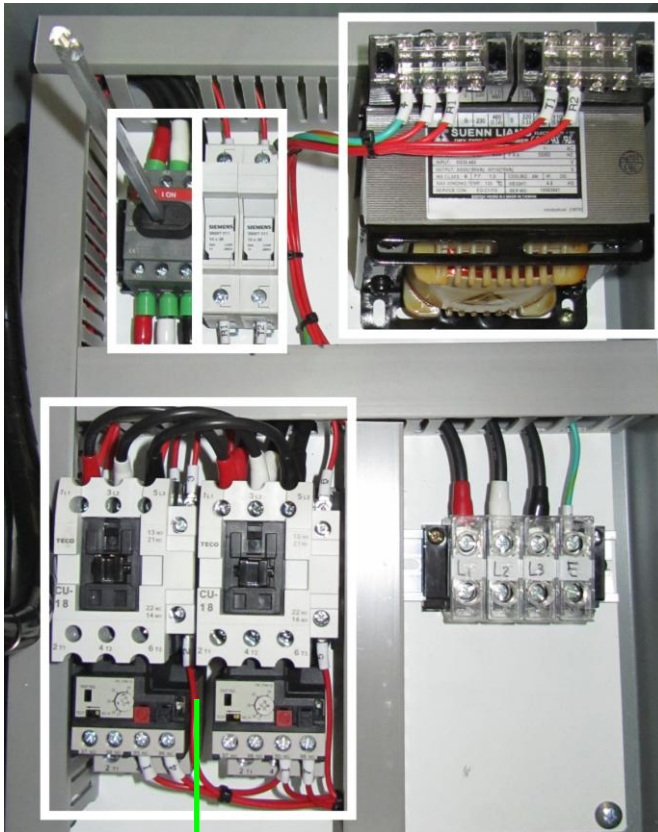


Main Electrical Components for SDC-15D-12 Blower Control Box



Main Electrical Components for SDC-15D-12 Blower Control Box



◆ Magnetic contactor.



◆ Thermal Relay for motor of 7.5HP.

