

DO NOT SCALE

IF IN DOUBT ASK



Revisions

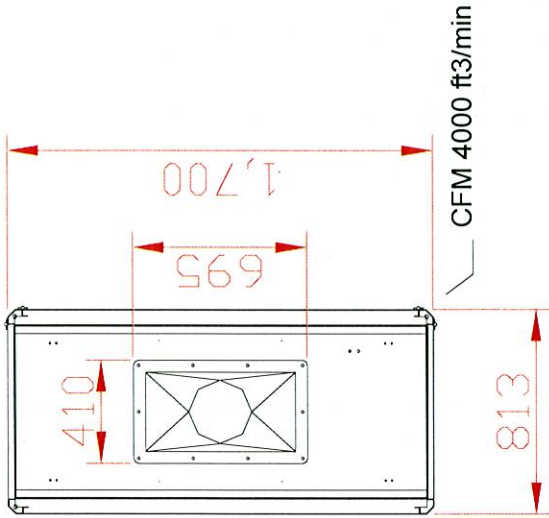
Description

Rev

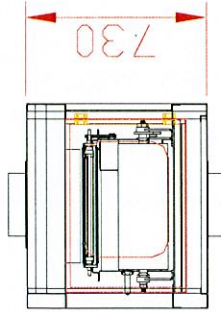
Date

Approved

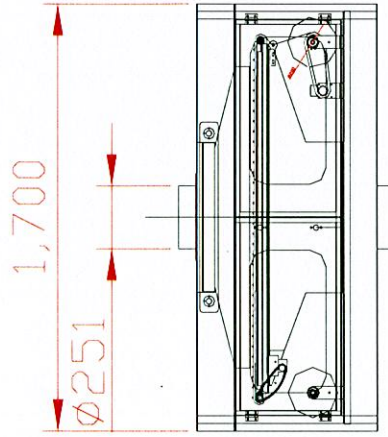
Attached with PLC control  
& Aluminum Mesh



Dia. 10" to the suction hood



Dia. 10" to the dust collector



OSKAR AIR PRODUCTS, INC.  
 95 Cypress Drive  
 Youngsville, NC 27596

Sales Department  
 (919) 570-2862  
 sales@oskarsales.com

Title:

Part Number:

Name

Date

Drawn by:

Checked by:

Roll Media

RM-4000

XXXXX

XX-XX-XX

XXXXX

Drawing Number:

Scale

Size

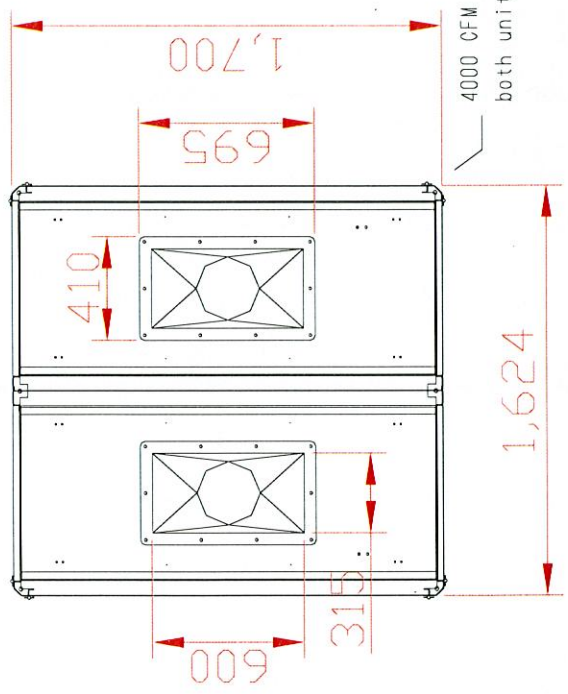
1 = 1

A

RM-4000-01A

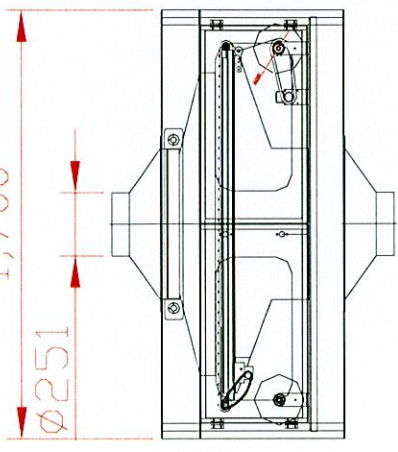
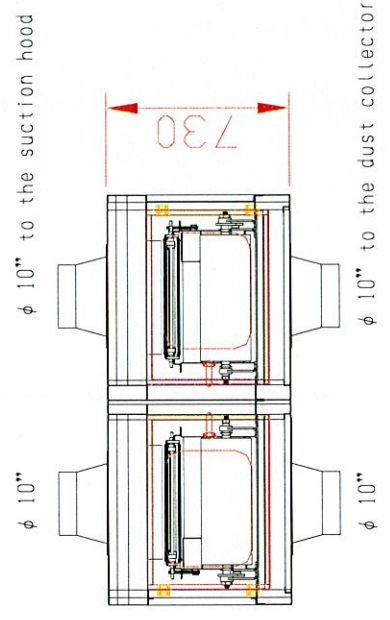
This drawing is confidential and is the exclusive property of Oskar Air Products.  
 No unauthorized use/copy or disclosure is to be made and it is returned  
 whenever required.

DO NOT SCALE	IF IN DOUBT ASK	Revisions	
		Description	Approved
Rev	Date	Date	



4000 CFM for each unit,  
both units = 8000 CFM

Attached with PLC control &  
Aluminum Mesh



OSKAR AIR PRODUCTS, INC. 95 Cypress Drive Youngsville, NC 27596		Sales Department (919) 570-2862 sales@oskarsales.com		Part Number: RM-8000	Title: Roll Media
Drawn by: XX-XX-XX	Date: XX-XX-XX	Name: XXXXX	Scale: 1 = 1	Size: A	Drawing Number: RM-8000-01A
Checked by:					
This drawing is confidential and is the exclusive property of Oskar Air Products. No unauthorized use/copy or disclosure is to be made and it is returned whenever required.					

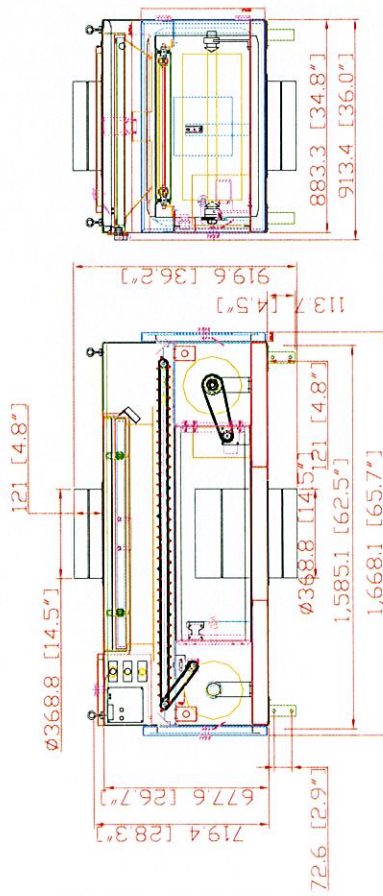
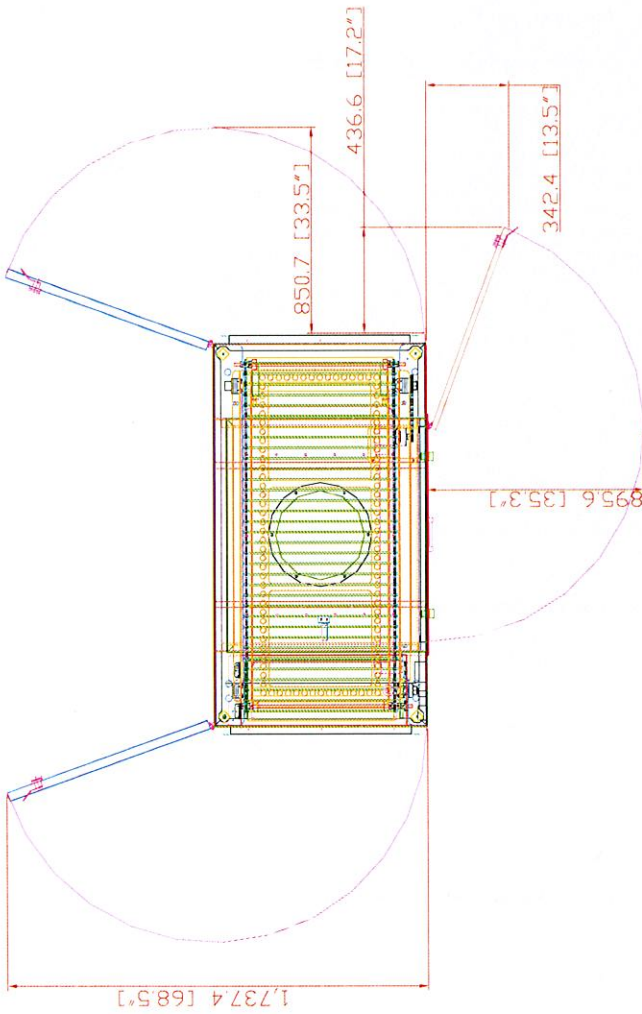
DO NOT SCALE

IF IN DOUBT ASK



Revisions

Rev	Description	Date	Approved



OSKAR AIR PRODUCTS, INC.  
 95 Cypress Drive  
 Youngsville, NC 27596

Sales Department  
 (919) 570-2862  
 sales@oskarsales.com

Part Number: SRM-1000

Title: SRM-1000 Door Open Range

Drawn by:	XX-XX-XX	Name	XXXX
Checked by:			

This drawing is confidential and is the exclusive property of Oskar Air Products. No unauthorized use/copy or disclosure is to be made and it is returned whenever required.

Size Scale  
 A 1 = 1  
 Drawing Number:  
 SRM-1000-door-01