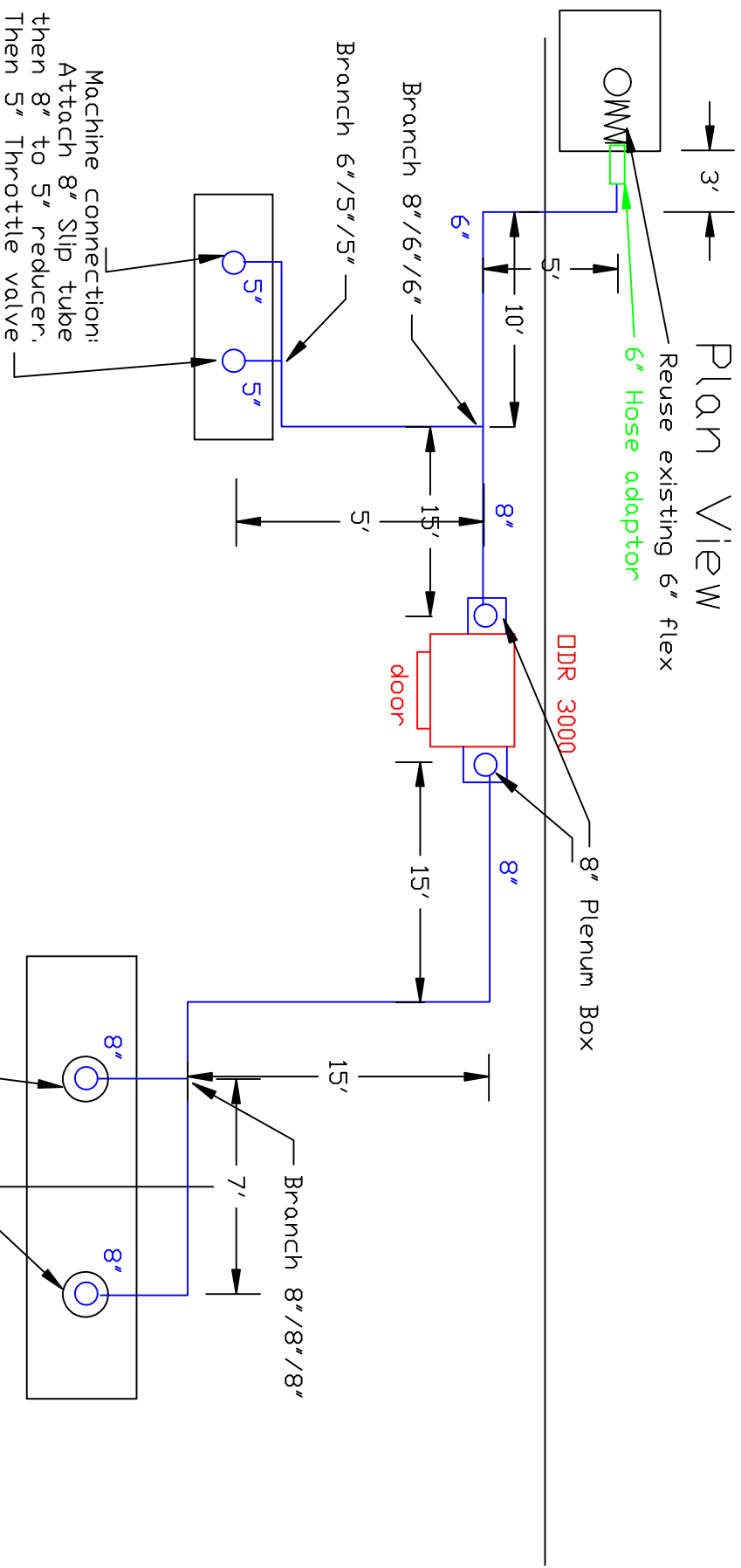


Absolent Ductwork Layout



Avanti Environmental
 95 Cypress Drive 27596
 Raleighville, NC
 P# 919-570-2862 F# 919-570-2863
Avani
 Project:
 Drawing:
 Date: 2/10/10 Drawn by: RAV
 Sheet No: