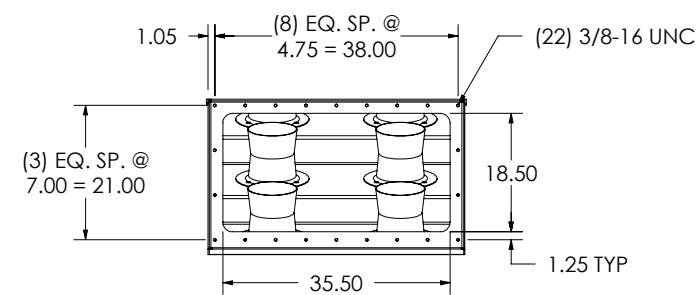
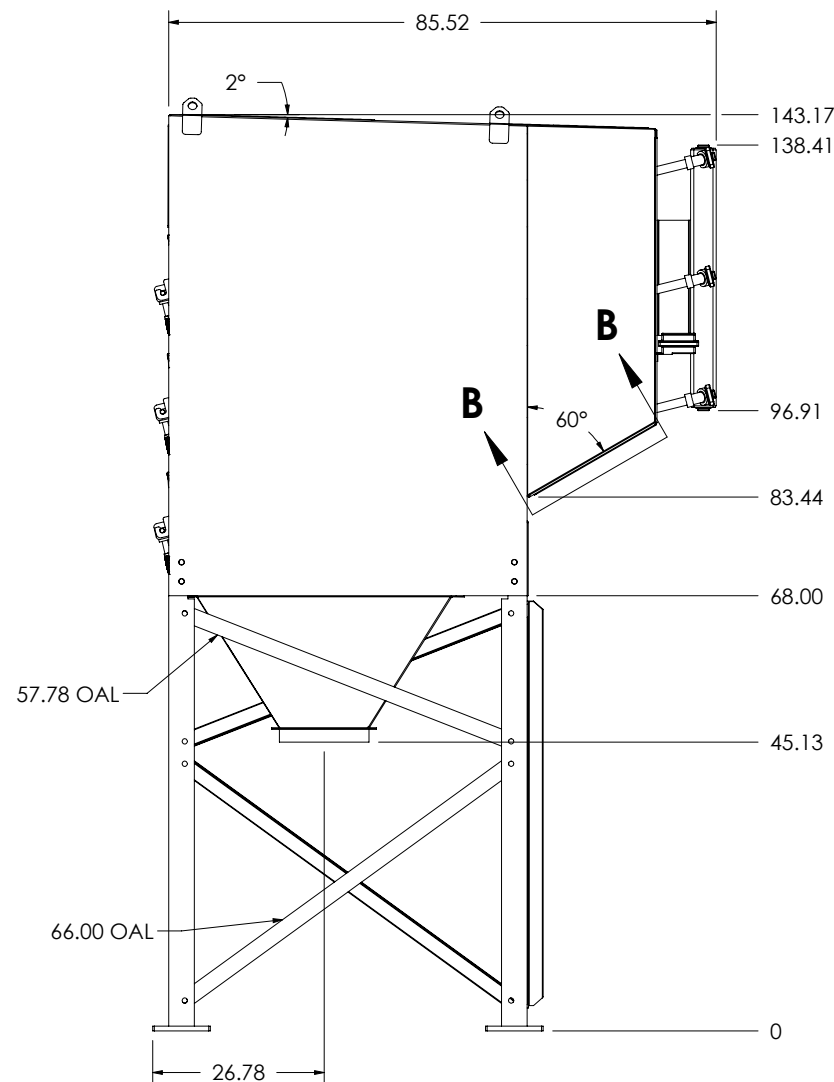
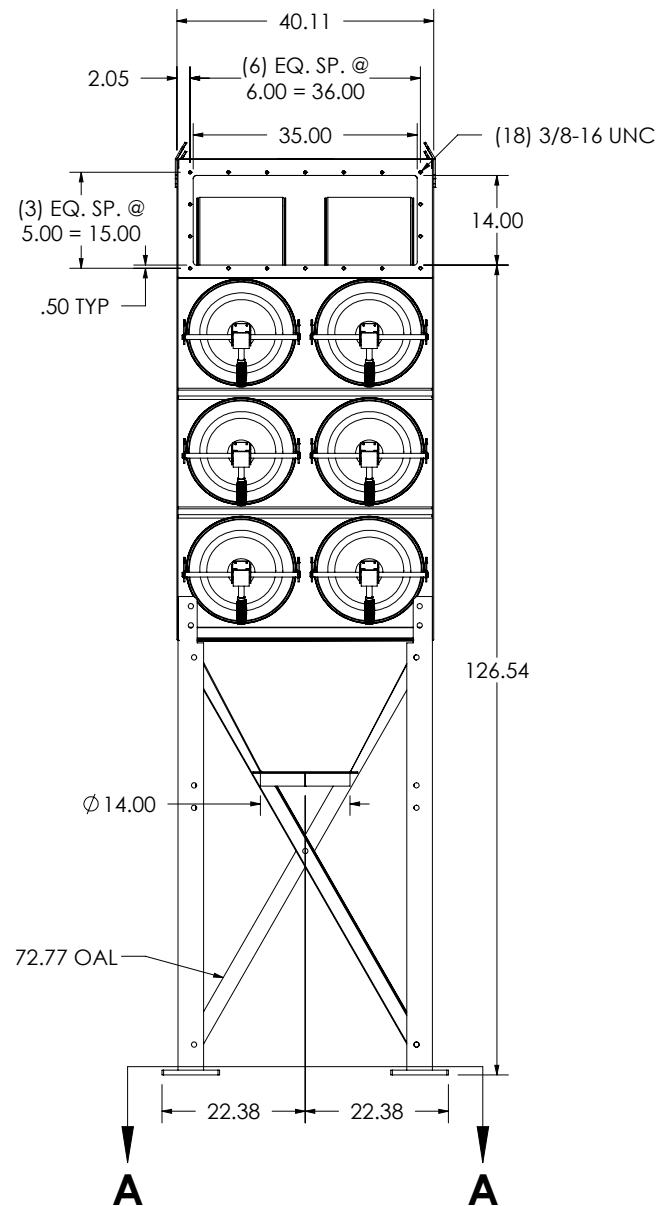
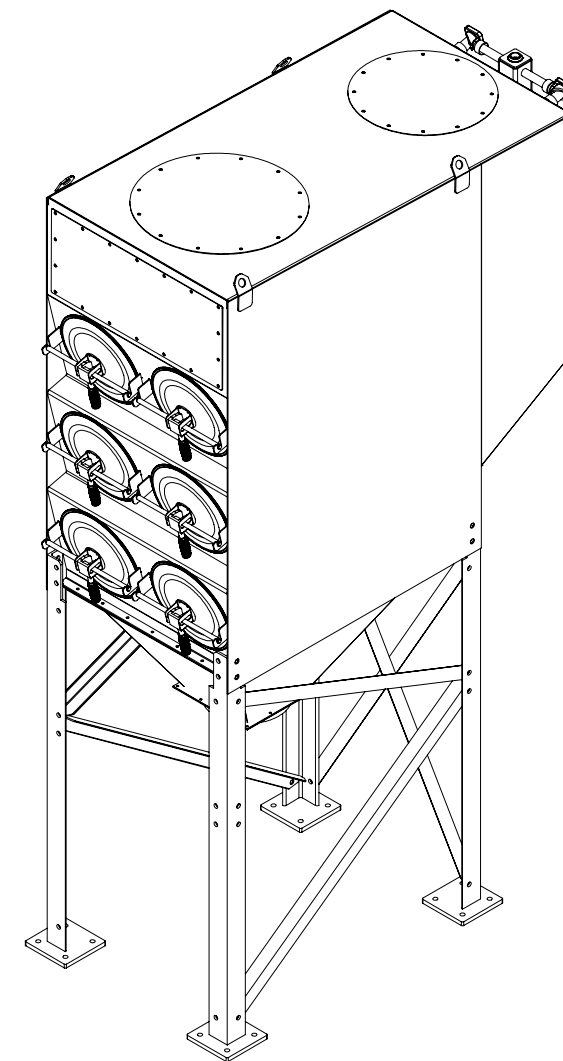


SECTION A-A



SECTION B-B



TCBI FAN SIZE	A	B
3	14.00	15.81
5-10	16.00	17.50
15-20	20.00	21.50
25-30	22.00	23.50

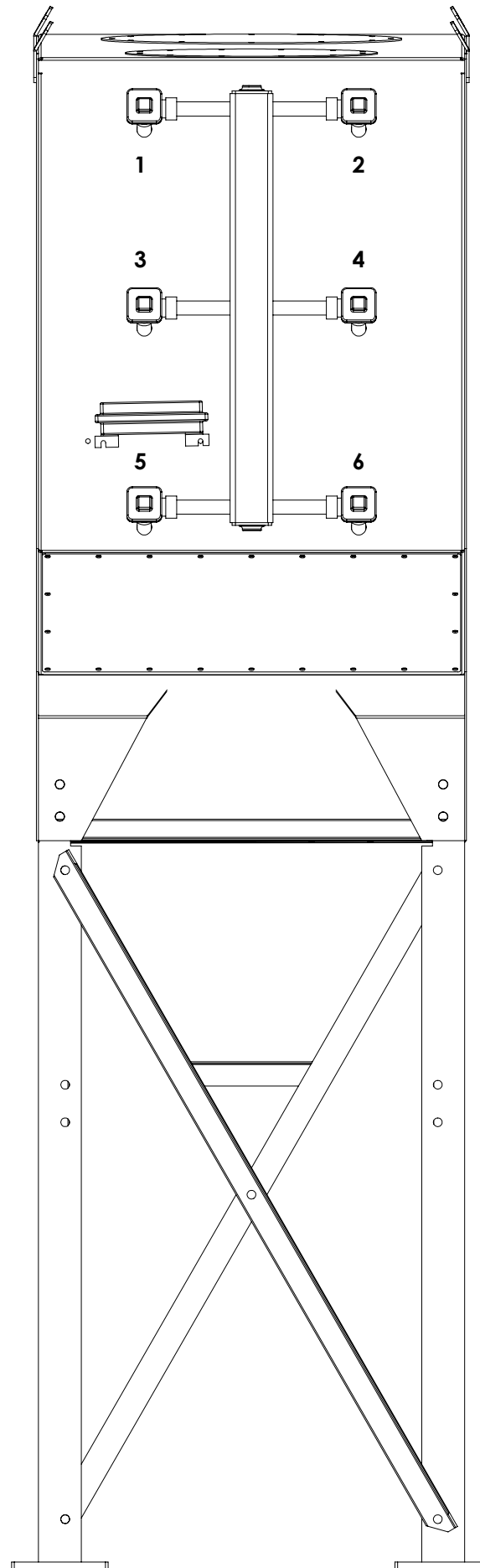
ACCESSORIES:

1. FAN BLOWER: TCF TCBI 30
2. ALL-IN-ONE CONTROLS (30HP/460V)
3. FAN OUTLET SILENCER & DAMPER
4. DRUM LID LATCH KIT
5. NANO-ELITE FR FILTERS


REV	ECN	DATE	BY	CHK	DESCRIPTION
-	-	-	-	-	-

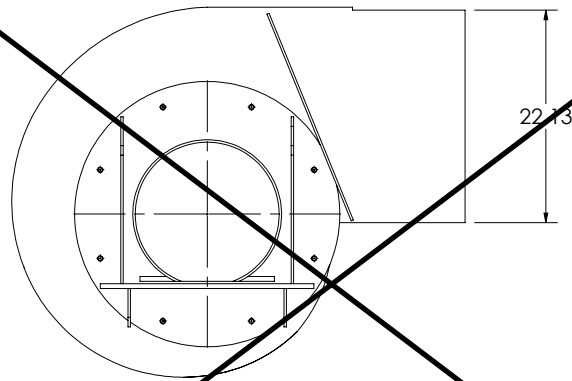
95 Cypress Dr.
Youngsville, NC 27597
Phone: 919-570-2862
www.avanienvironmental.com

DRAWN BY JX	TITLE SDC-AT-3-12	DATE 10/2/13	CHKD BY JX	DATE 10/2/13	SHOP NO. 15722-001
SCALE 1:30		DRAWING NO. BC 500006	SHEET 1 OF 1	ITEM -	REV. -

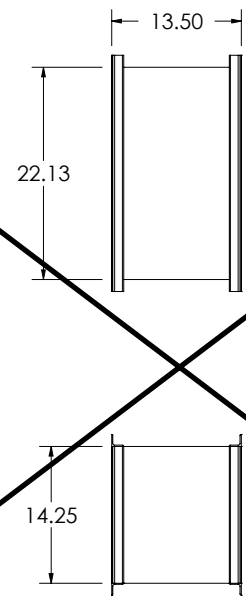


DRAWN BY
JX
DATE
10/2/13
CHKD BY
-
DATE
-
SHOP NO.
-
SCALE
1:15

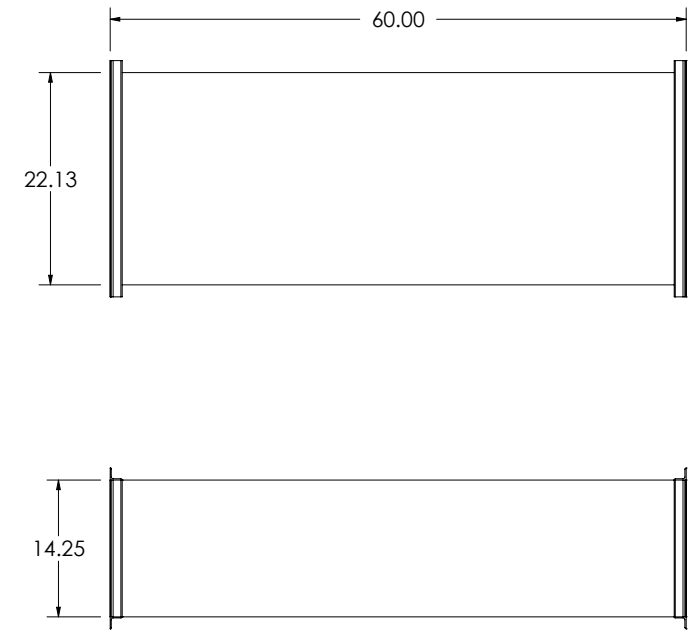
REV	ECN	DATE	BY	CHK	DESCRIPTION
-	-	-	-	-	-
					95 Cypress Dr. Youngsville, NC 27597 Phone: 919-570-2862 www.avanienvironmental.com
TITLE					
SDC-AT-3-12					
DIAPHRAGM VALVE LOCATIONS					
DRAWING NO.				SHEET	ITEM
BC 500030				1 OF 1	-
				REV.	-



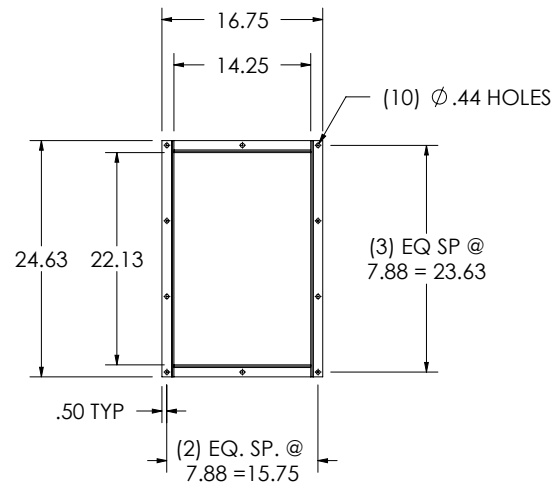
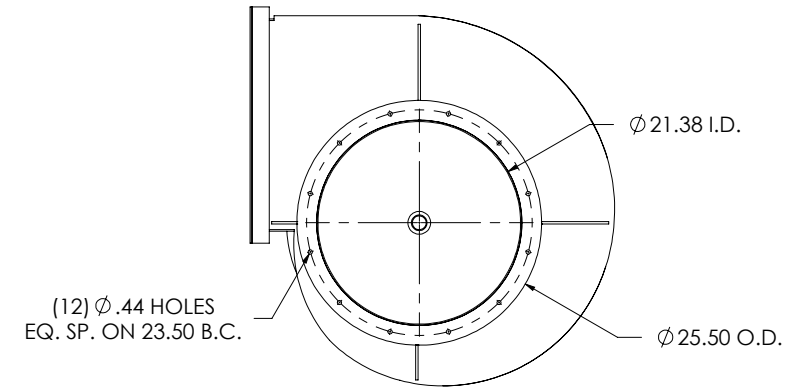
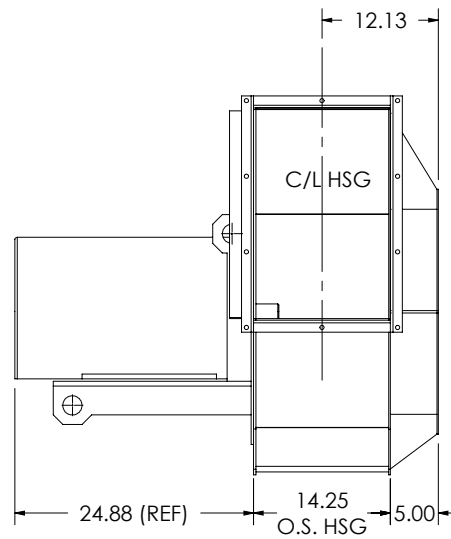
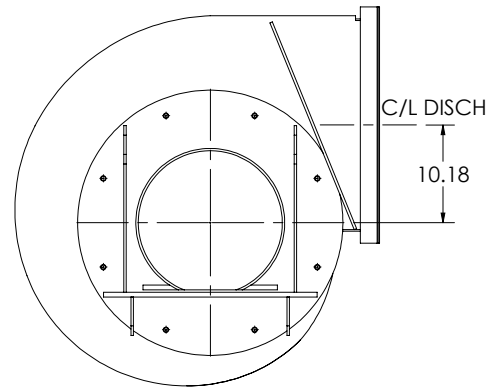
BUILT-IN DAMPER



DETACHED OUTLET DAMPER




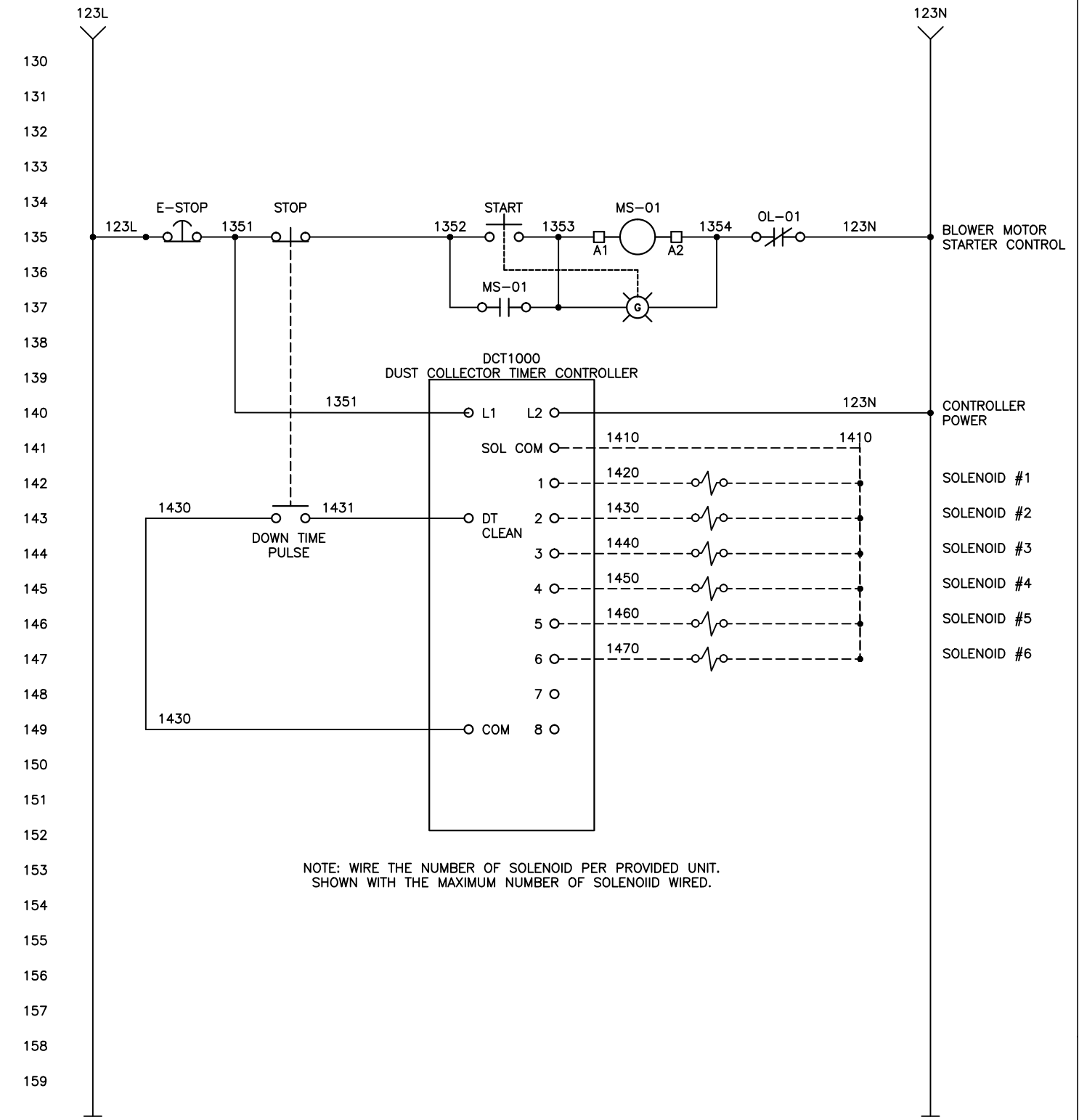
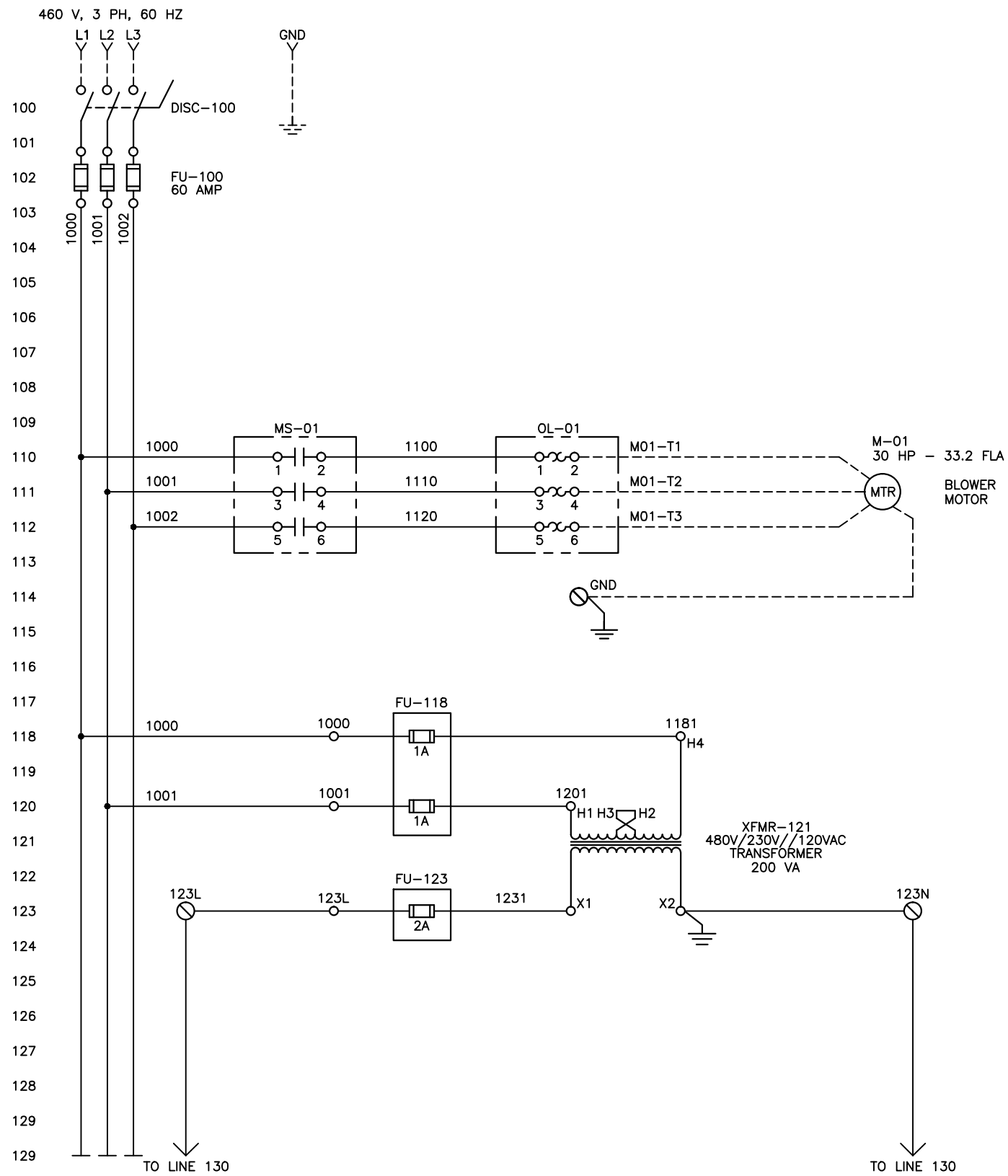
OUTLET SILENCER



FLANGE DETAIL

NOTES:
1. "CW" ROTATION SHOWN. "CCW" ROTATION SIMILAR BUT OPPOSITE.

REV	ECN	DATE	BY	CHK	DESCRIPTION
-	-	-	-	-	-
					
95 Cypress Dr. Youngsville, NC 27597 Phone: 919-570-2862 www.avanienvironmental.com					
DRAWN BY JX		DATE 7/25/13		TITLE TCF 30 TCBI	
CHKD BY JX		DATE 7/25/13		FAN W/ ACCESSORIES	
SHOP NO. 15722-001		DRAWING NO. BC 500055		SHEET 1 OF 1	ITEM -
SCALE 1:20				REV. -	



NOTE: WIRE THE NUMBER OF SOLENOID PER PROVIDED UNIT. SHOWN WITH THE MAXIMUM NUMBER OF SOLENOID WIRED.

THIS DRAWING IS CONFIDENTIAL PROPERTY OF ENGINEERING FIRM. DO NOT DUPLICATE IN ANY TYPE WITHOUT PROPER WRITTEN PERMISSION. IF YOU ARE NOT THE INTENDED CLIENT PLEASE DESTROY THIS DOCUMENT.			DUST COLLECTOR BLOWER PACKAGE 480VAC, 3 PHASE - 30 HP WITH DUST COLLECTOR TIMER CONTROLLER		
REV.	DESCRIPTION	DATE	FILE PATH: c:\clients\	CLIENT	PLOT DATE: 01/01/04
1	CREATED	7/28/08		AVANI ENVIRONMENTAL	DRAWING NUMBER 30 HP 100
			DRAWN BY: ECS	DATE: 7/28/08	DRAWING SCALE NONE
			CHECKED BY: ECS	DATE: 7/28/08	PROJECT NUMBER