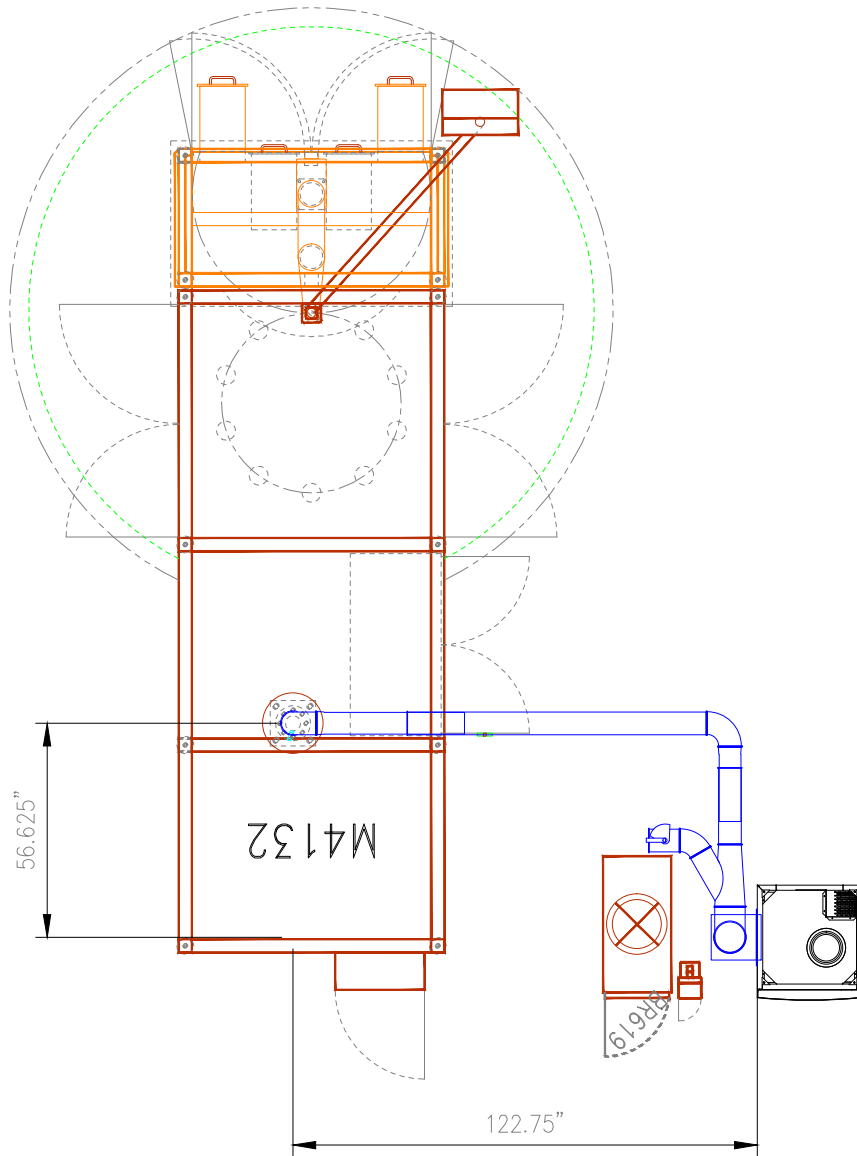
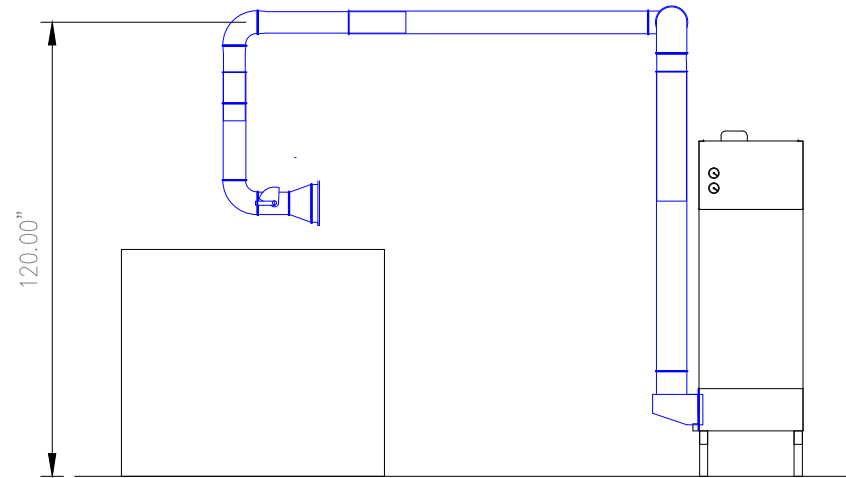


Caterpillar S018573 Duct Layout



Plan View



Elevation
View

Notes:

1. Avani Environmental standard installation crew is quoted out per day based on the above drawings and approvals. Any changes, modifications, downtime, or inability to perform our work above and beyond the control of Avani Environmental will charge an additional \$1,000 per work day (5 or more hours) per crew above what was initially quoted.
2. Support from ceiling

Avani Environmental Intl. Inc.
95 Cypress Drive
Youngsville, NC 27596
P# 919-570-2862 F# 919-570-2863

Avani

Project: Caterpillar S018573

Drawing: Duct Layout

Date: 3/28/14 | Drawn by: MDT

Sheet No: 1 OF 1 | Rev 1