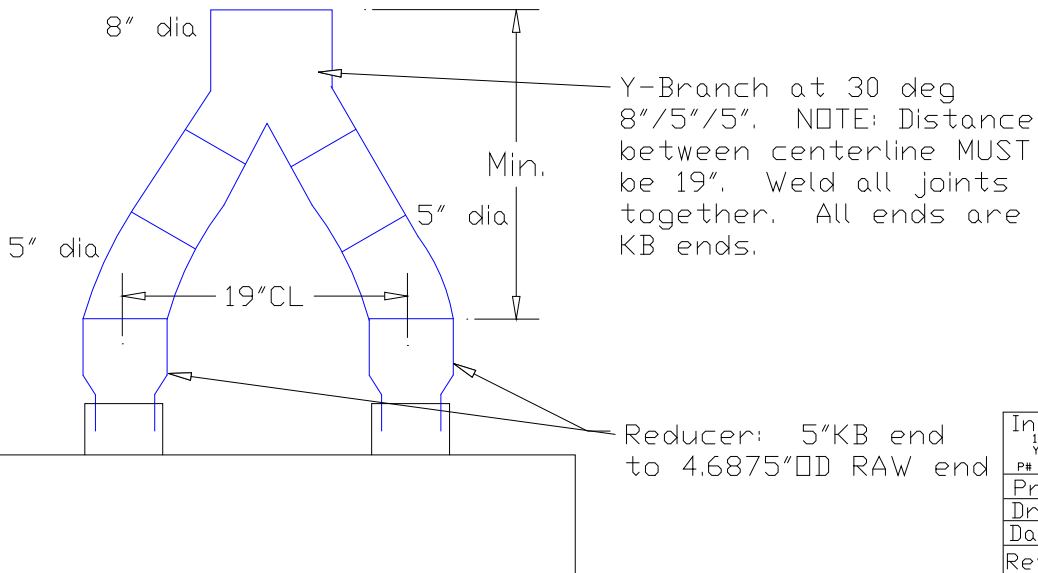
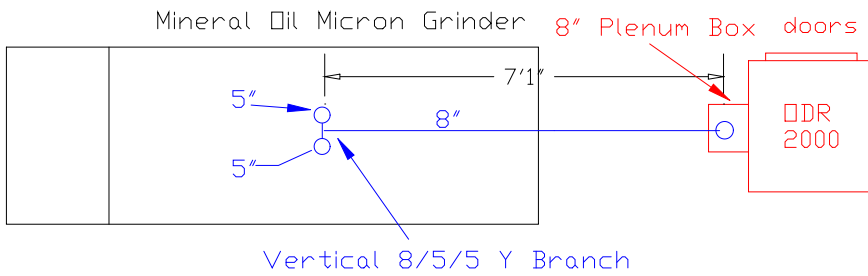


Ductwork Layout BF?

Notes:
 Micron Grinders are about 79" off of floor.
 Main duct lines are about 10' off of floor

Plan View



Industrial Air Quality	IAQ
102 AG DRIVE Youngsville, NC 27596	
P# 919-562-7181 F# 919-562-7182	
Project: Caterpillar	
Drawing: Ductwork Layout	
Date: 12/2/08	Drawn by: RAV
Revision Date:	