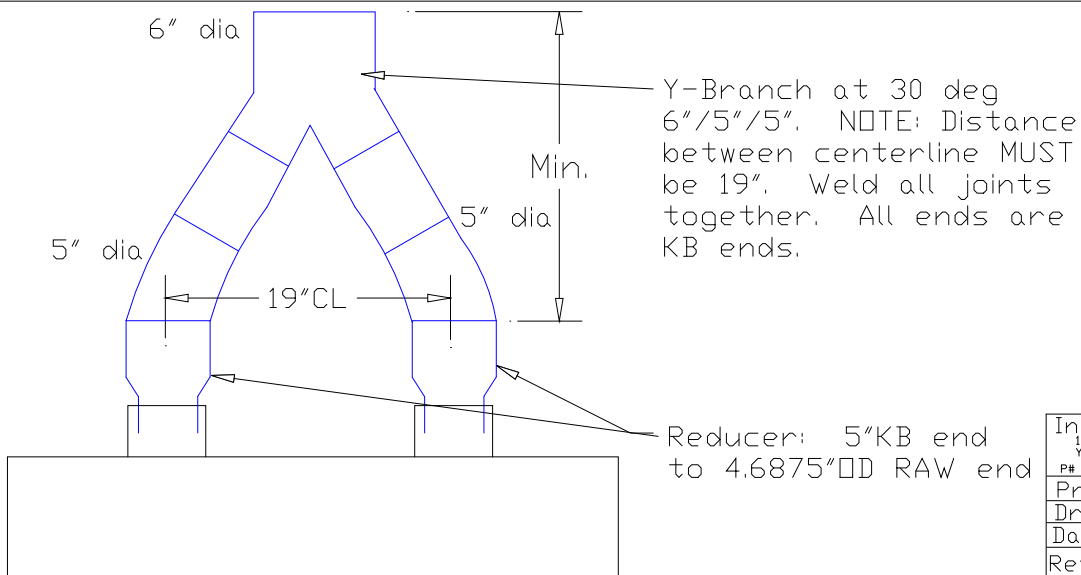
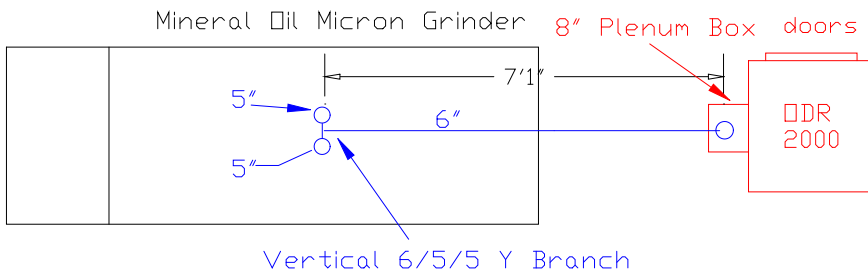


Ductwork Layout BF?

Notes:
 Micron Grinders are about 79" off of floor.
 Main duct lines are about 10' off of floor

Plan View



Industrial Air Quality		IAQ
102 AG DRIVE 27596 Youngsville, NC		
P# 919-562-7181 F# 919-562-7182		
Project: Caterpillar		
Drawing: Ductwork Layout		
Date: 12/2/08		Drawn by:RAV
Revision Date:		