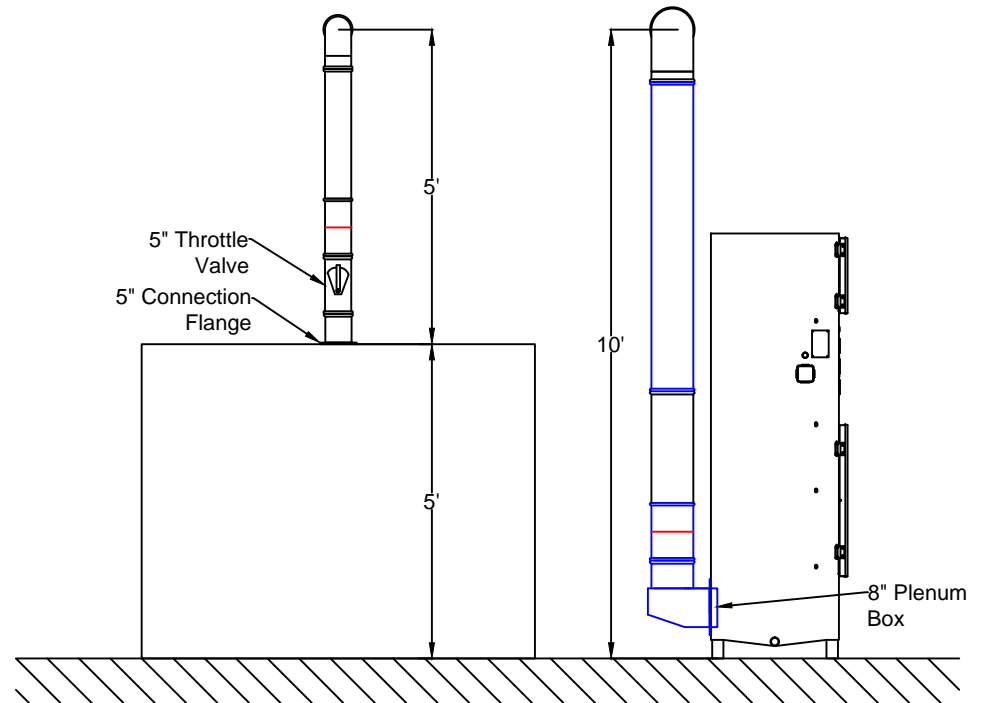
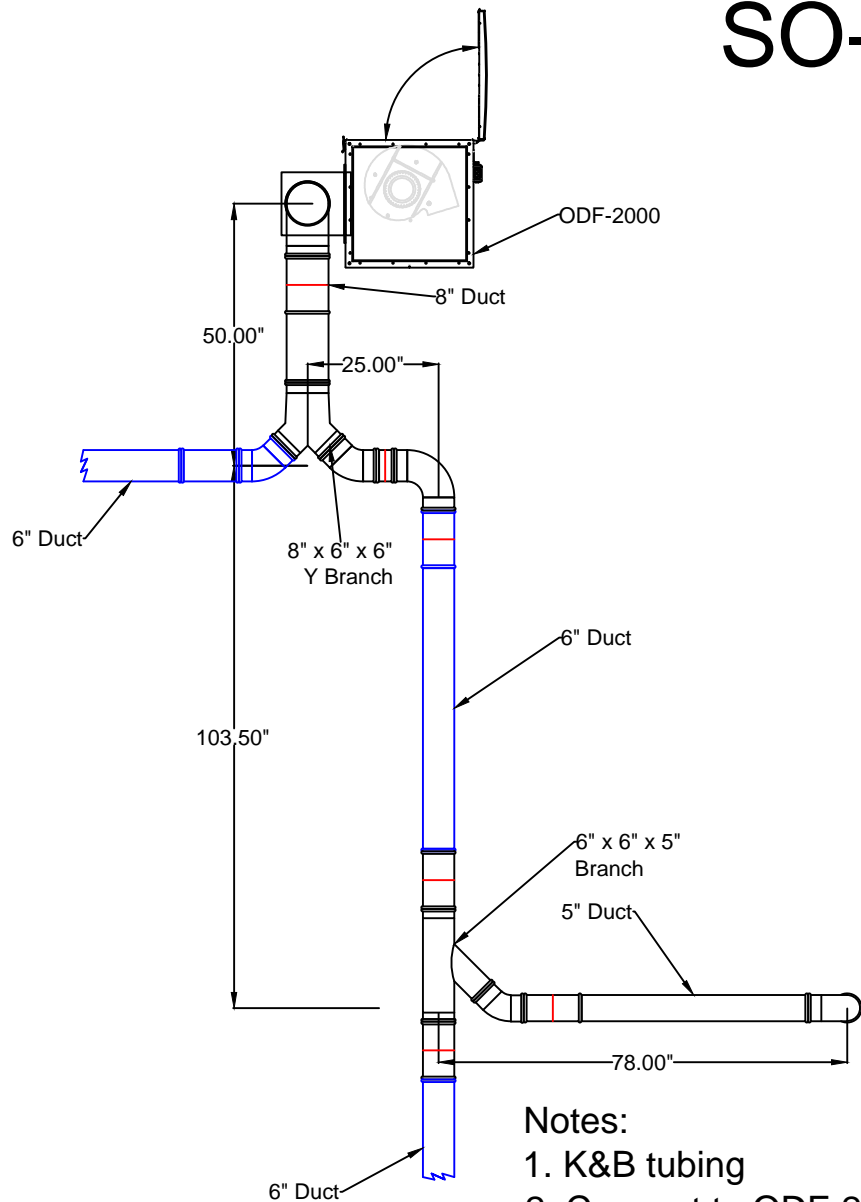


Caterpillar Engine System

SO-17993



Notes:

1. K&B tubing
2. Connect to ODF-2000S
3. Old duct is Blue
4. New Duct is Black

Avani Environmental Intl.
 95 Cypress Drive
 Youngsville, NC 27596
 P# 919-570-2862 F# 919-570-2863

Avani

Project: Caterpillar Engine System

Drawing: Duct Layout

Date: 7/25/2013

Drawn by:MDT

Sheet No: 1 of 1