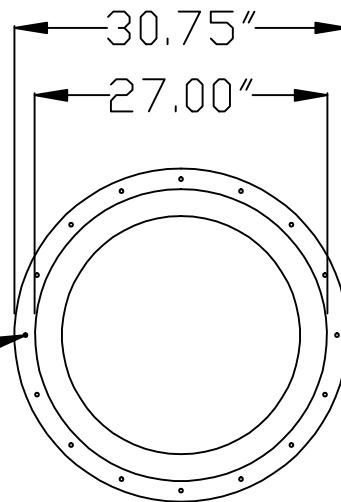
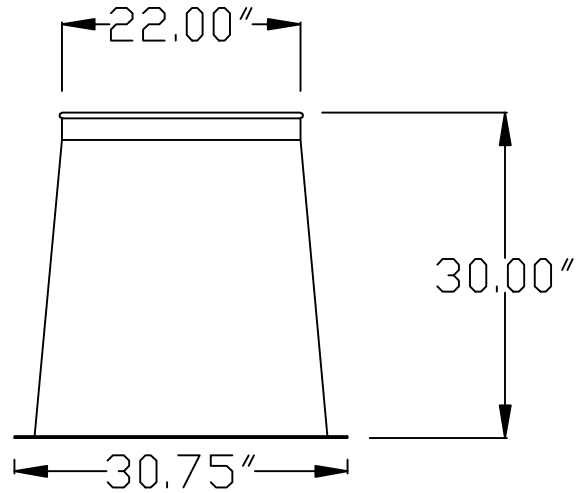


Carteret Comm. College Fan Transition



16 Holes $-\frac{7}{16}$ " Dia.
 $28\frac{3}{4}$ " Bolt Circle

SO# 19678

Avani Environmental
95 Cypress Drive
Youngsville, NC 27596
P# 919-570-2862 F# 919-570-2863

Avani

Project: Carteret Comm. College

Drawing: Fan Transition

Date: 4/4/13 Drawn by: WWB

Sheet No: 1

Rev.: 0