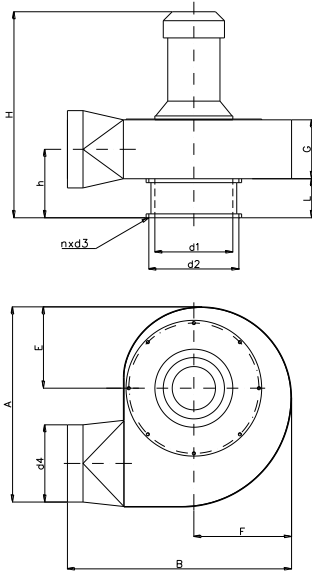
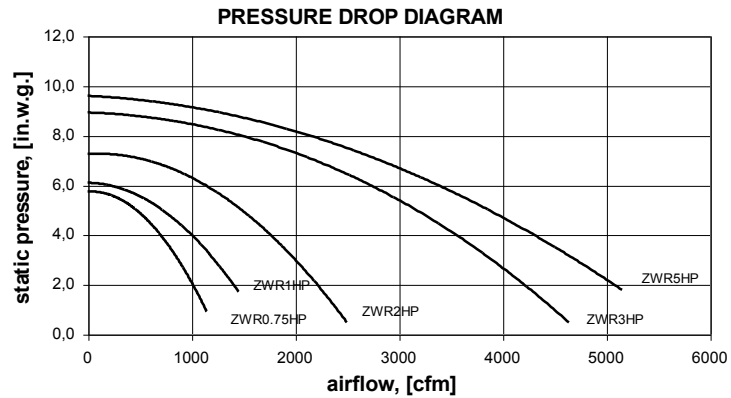




BACKWARD INCLINED BLADE FANS



Backward Inclined Blade Fans are units with radial impellers with backward curved blades. Fans are designed for nonexplosive and chemically nonaggressive air and gases. These units can be used for polluted air and light dusts but should not be used to exhaust solid parts. Fans are constructed of powder coated welded sheet iron. They have aluminium impellers which are mounted directly on the motor shaft. The fan inlet has duct connection collar. See *technical data table for fan/motor specifications*.



we have 1hp

Measure unit ↓	Type →	0.75hp	1hp	2hp	3hp	5hp
Motor						
Power supply	[V] / [Hz]	110/60	110/60	110/60	110/60	110/60
Power	[HP]	0.75	1.0	2.0	3.0	5.0
Rotation	[rpm]	3450	3450	3450	3450	3450
Insulation class	-	F	F	F	F	F
Protection	-	IP54	IP54	IP54	IP54	IP54

DIMENSIONS

	[in] / [mm]	0.75hp	1hp	2hp	3hp	5hp
A	[in] / [mm]	18.0 / 459	20.2 / 513	22.7 / 577	25.6 / 651	25.6 / 651
B	[in] / [mm]	20,8 / 529	22,6 / 575	24,8 / 629	27,3 / 693	27,3 / 693
E	[in] / [mm]	7.3 / 186	8.2 / 209	9.2 / 234	10.4 / 265	10.4 / 265
F	[in] / [mm]	8.8 / 224	9.8 / 251	11.0 / 280	12.5 / 318	12.5 / 318
H	[in] / [mm]	19.2 / 488	21.1 / 535	24.8 / 630	25.4 / 645	27.3 / 693
L	[in] / [mm]	3.1 / 80	3.9 / 100	4.9 / 125	4.9 / 125	4.9 / 125
G	[in] / [mm]	5.8 / 147	5.9 / 151	6.3 / 161	6.9 / 174	7.8 / 197
h	in] / [mm]	6.1 / 154	6.9 / 176	7.4 / 188	8.4 / 212	8.8 / 224
Ød1	[in] / [mm]	6.3 / 160	7.8 / 200	9.8 / 250	11.8 / 300	11.8 / 300
Ød2	[in] / [mm]	7.67 / 195	9,68 / 246	11,41 / 290	13,5 / 343	13,5 / 343
nxØd3	[in] / [mm]	6x0.28 / 6x 7	8x0.35 / 8x9	8x0.35 / 8x9	8x0.35 / 8x9	8x0.35 / 8x9
Ød4	[in] / [mm]	5.9 / 150	7.8 / 198	9.8 / 248	11.9 / 303	11.9 / 303