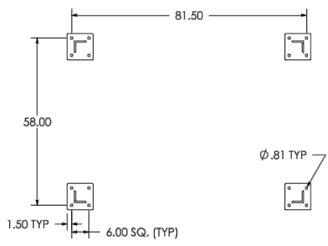
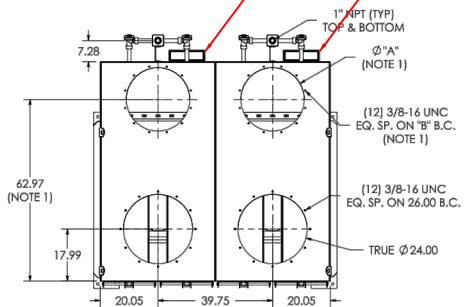
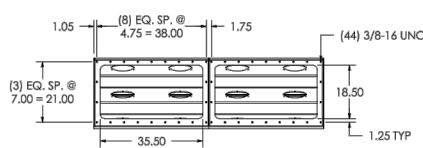


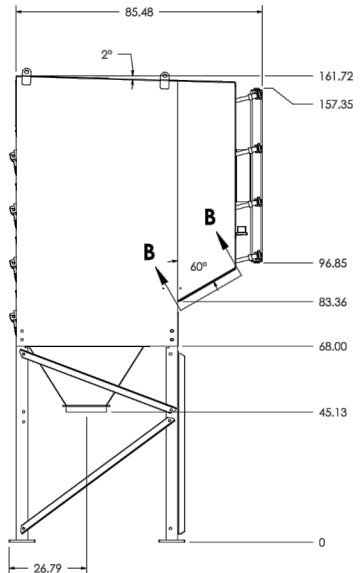
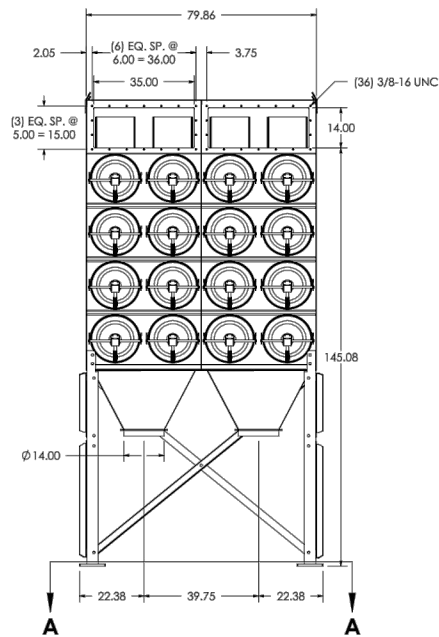
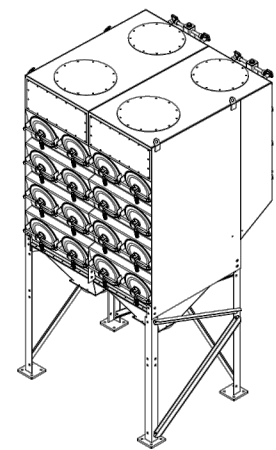
Pulse Valve Solenoid Block
(This will be facing the wall)



SECTION A-A



SECTION B-B



FAN SIZE	A	B
3	14.00	15.81
5-10	17.50	17.50
15-20	20.00	21.50
25-30	22.00	23.50

NOTES:
1. FLOOR MOUNTED FANS MAY NOT HAVE TOP OUTLET HOLES

ACCESSORIES:
1. FAN BLOWER: TCF 330 BCS
2. FAN OUTLET DAMPER AND SILENCER
3. ALL-IN-ONE CONTROLS (40HP/460V)

REV	ECN	DATE	BY	CHK	ADD NOTES	DESCRIPTION
A	-	10/10/13	JX	-		

avani environmental
95 Cypress Dr.
Youngsville, NC 27597
Phone: 919-570-2862
www.avanienvironmental.com

DRAWN BY: JX
DATE: 10/8/13
CHECKED BY: JX
DATE: 10/8/13
DWG NO: 15667-001
SCALE: 1:35

TITLE: SDC-AT 4-32	DRAWING NO: BC 500010	SHEET: 1 OF 1	ITEM: -	REV: A
--------------------	-----------------------	---------------	---------	--------