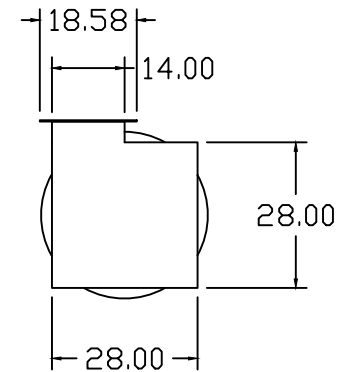
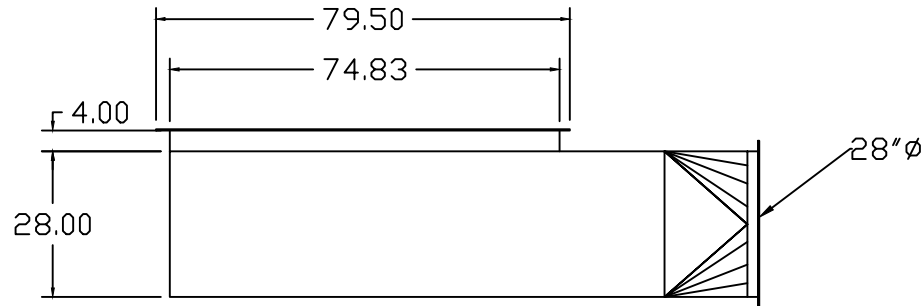
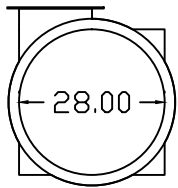
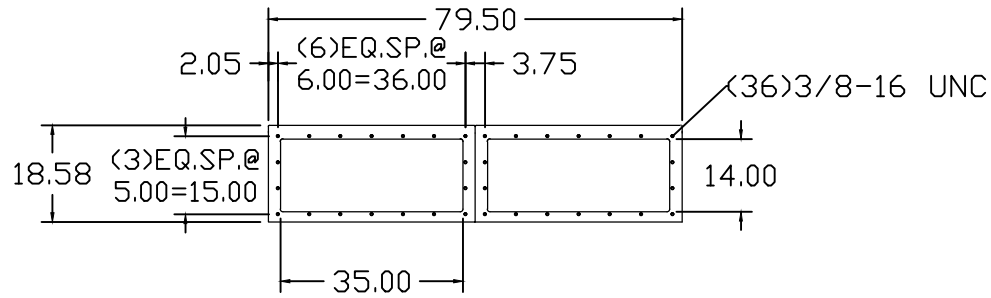


# Act 4-32 Inlet Plenum



Notes:

- 1)
- 2)
- 3)
- 4)

**PRELIMINARY**

This product has not been tested for seismic calculations.

Any Customer requested, or caused changes or deviations from the approved drawing that effect T&M will require a change order.

Avani Environmental Intl. Inc.  
95 Cypress Drive  
Youngsville, NC 27596  
P# 919-570-2862 F# 919-570-2863

**Avani**

Project: Local 242

Drawing: Inlet Plenum

Date: 5/29/15

Drawn by: DJT

Sheet No:

Rev 0