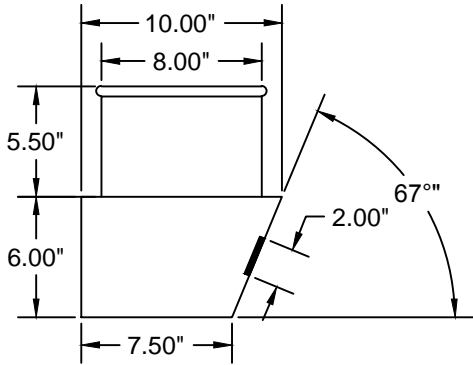
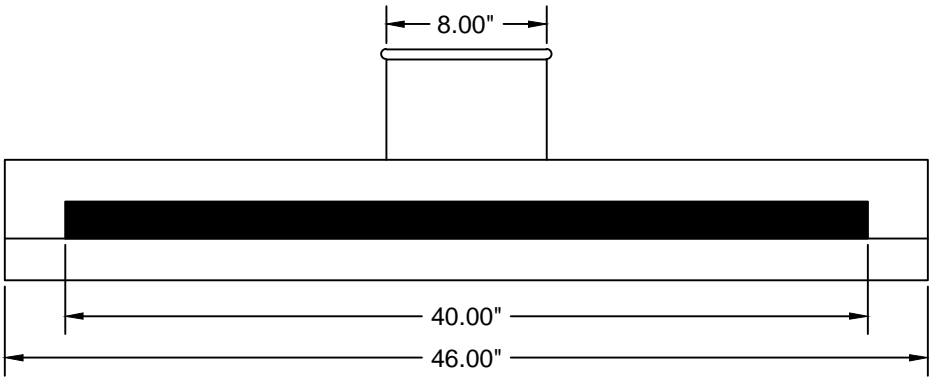


# Boilermakers - Spokane Local 242

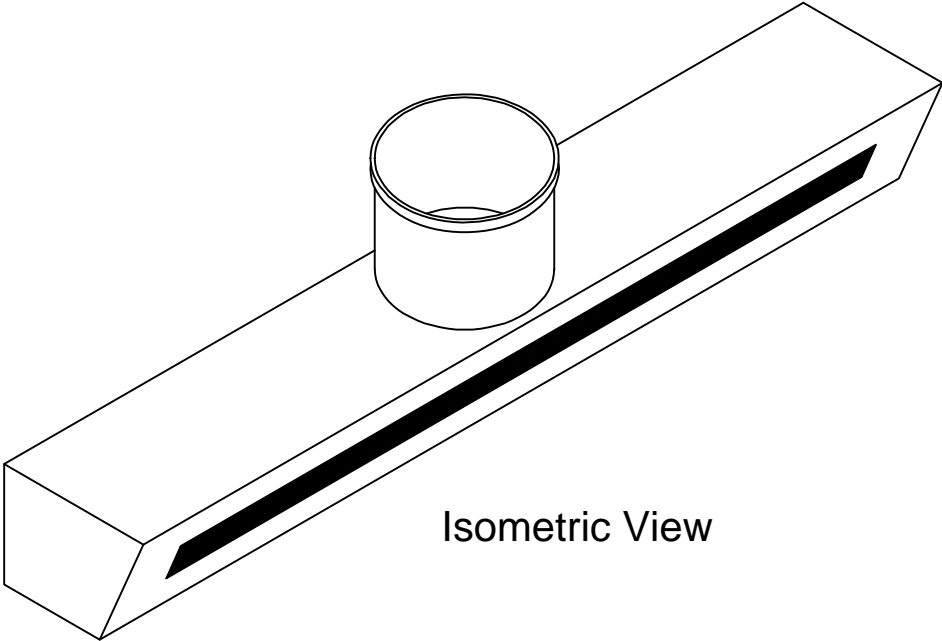
## Booth Hood



Side View



Front View



Isometric View

Avani Environmental Intl.  
 95 Cypress Drive  
 Youngsville, NC 27596  
 P# 919-570-2862 F# 919-570-2863

**Avani**

Project: Boilermakers-Spokane Local 242

Drawing: Booth Hood 8" Pick-up

Date: 3/23/15

Drawn by: WWB

Sheet No: 1 of 1

Rev.: B