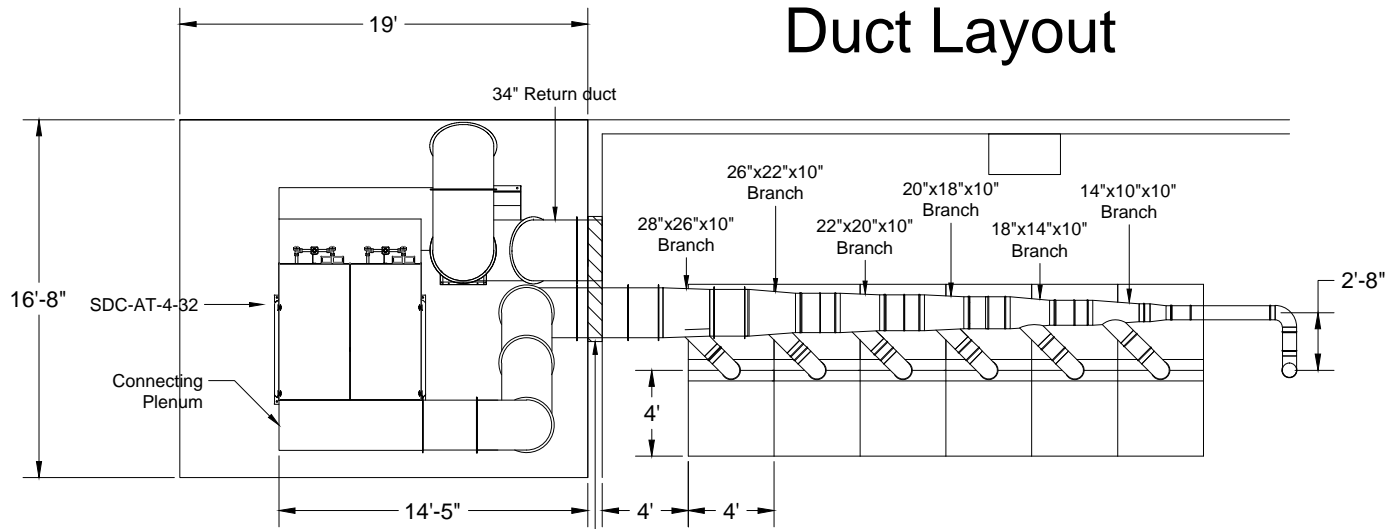
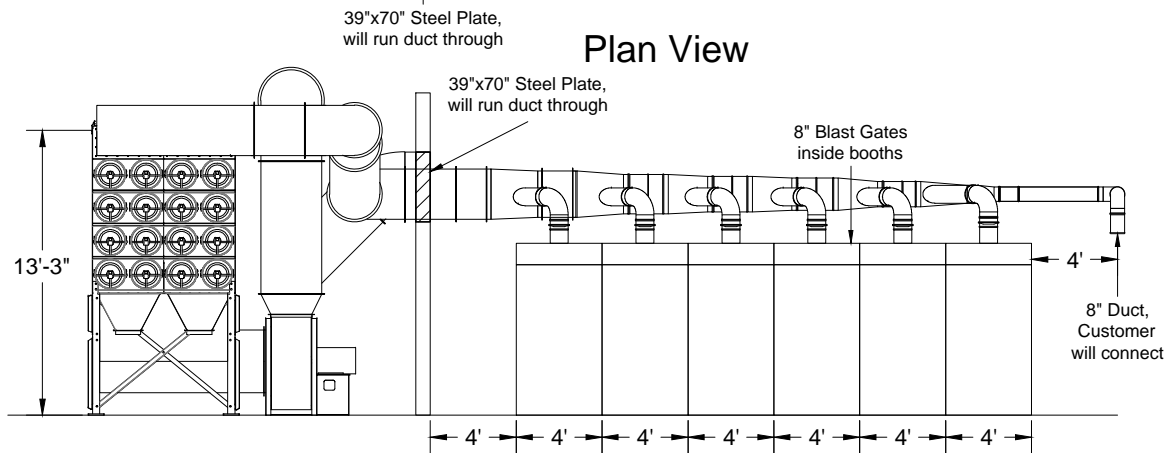


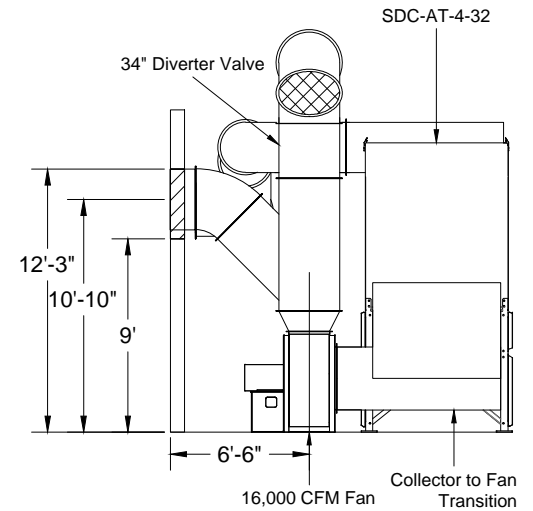
Boilermakers Local 242 Duct Layout



Plan View



Elevation View



Elevation View

Notes:

1. Support from ceiling via duct hangers
2. Cut Ø8.5" hole into booths for pipe
3. Install blast gates inside booth
4. Avani Environmental standard installation crew is quoted out per day based on the above drawings and approvals. Any changes, modifications, downtime, or inability to perform our work above and beyond the control of Avani Environmental will charge an additional \$1,000 per work day (5 or more hours) per crew above what was initially quoted.

Avani Environmental Intl. Inc.
95 Cypress Drive
Youngsville, NC 27596
P# 919-570-2862 F# 919-570-2863

Avani

Project: Boilermakers Spokane Local 242

Drawing: Duct Layout

Date: 10/28/14

Drawn by: MDT

Sheet No:

Rev 3