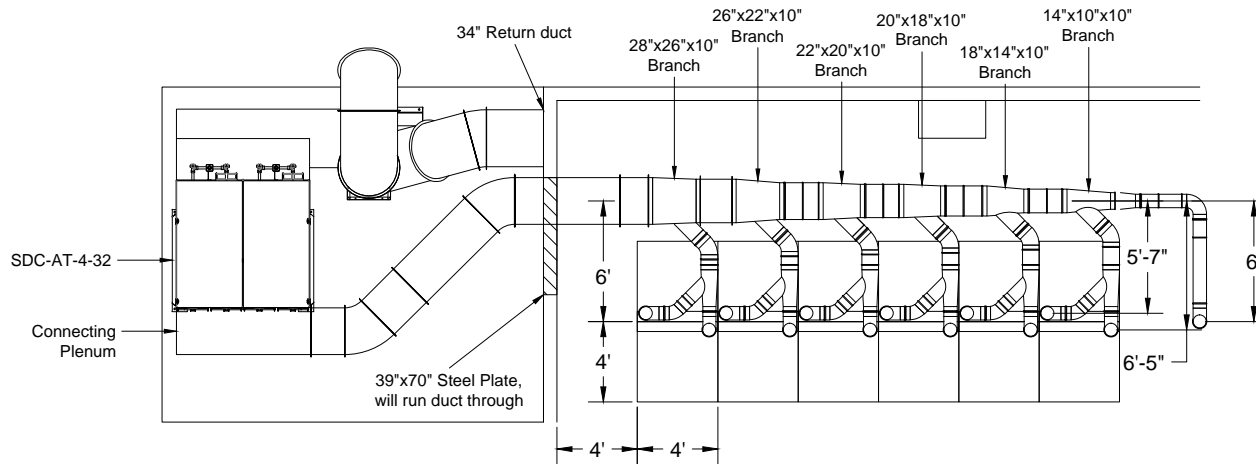
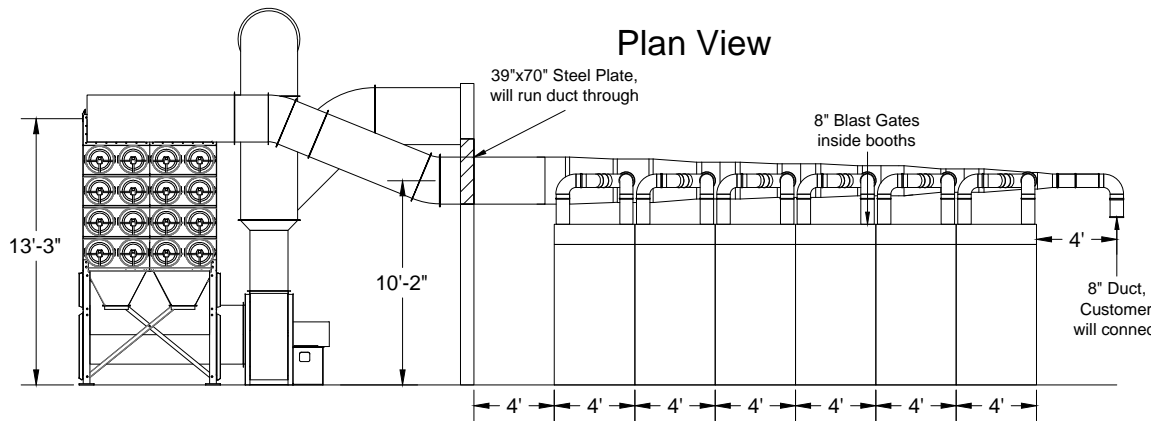


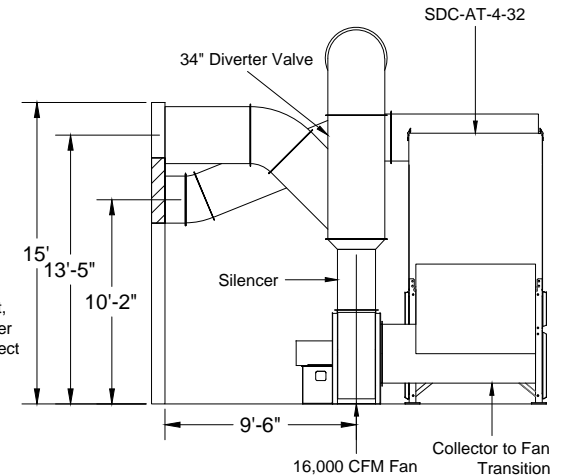
# Boilermakers Local 242 Duct Layout



Plan View



Elevation View



Elevation View

**Notes:**

1. Support from ceiling via duct hangers
2. Cut  $\varnothing 8.5"$  hole into booths for pipe
3. Install blast gates inside booth
4. Avani Environmental standard installation crew is quoted out per day based on the above drawings and approvals. Any changes, modifications, downtime, or inability to perform our work above and beyond the control of Avani Environmental will charge an additional \$1,000 per work day (5 or more hours) per crew above what was initially quoted.

Avani Environmental Intl. Inc.  
95 Cypress Drive  
Youngsville, NC 27596  
P# 919-570-2862 F# 919-570-2863

**Avani**

**Project: Boilermakers Spokane Local 242**

**Drawing: Duct Layout**

**Date: 8/22/14**

**Drawn by: MDT**

**Sheet No:**

**Rev 2**