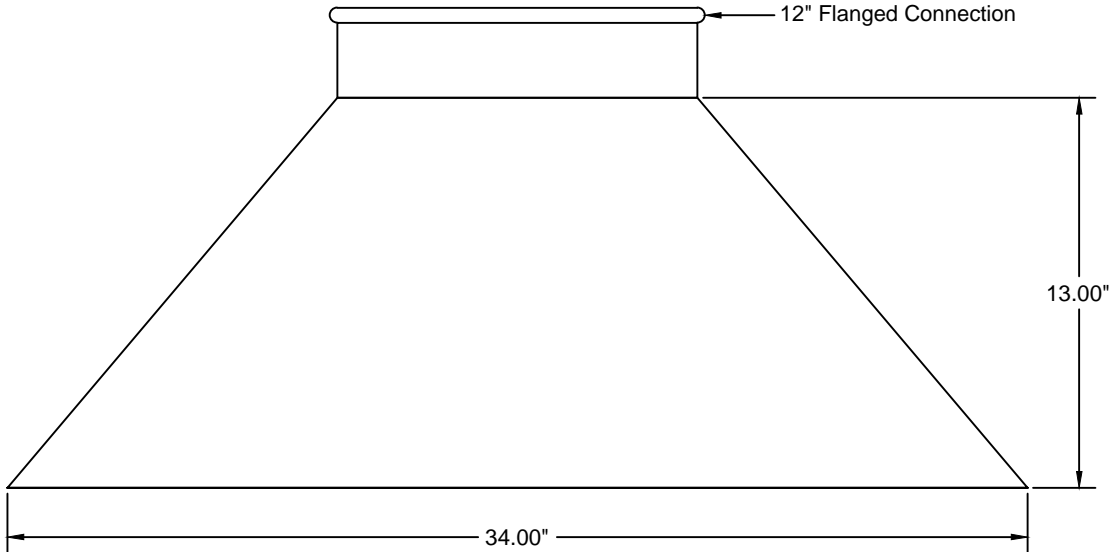
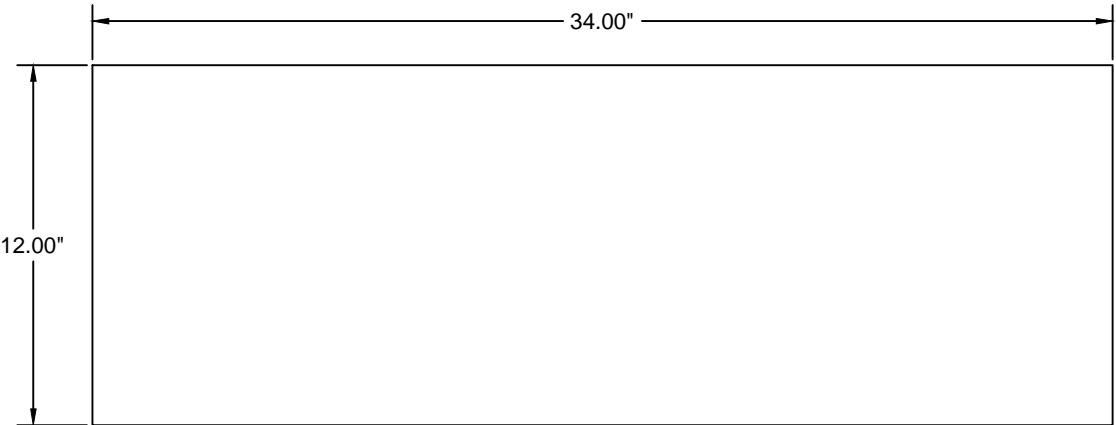


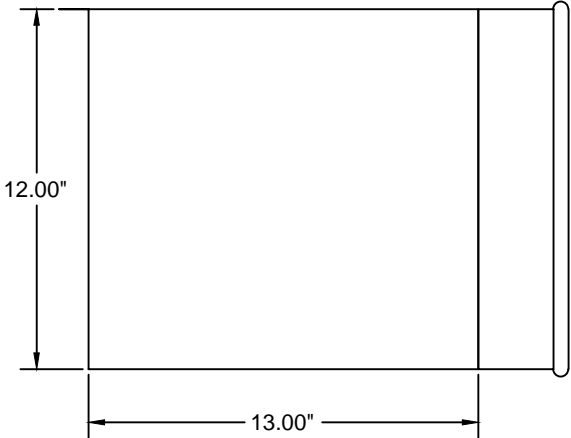
# Puyallup WB Insert Connection to Duct



Front View



Bottom View



Side View