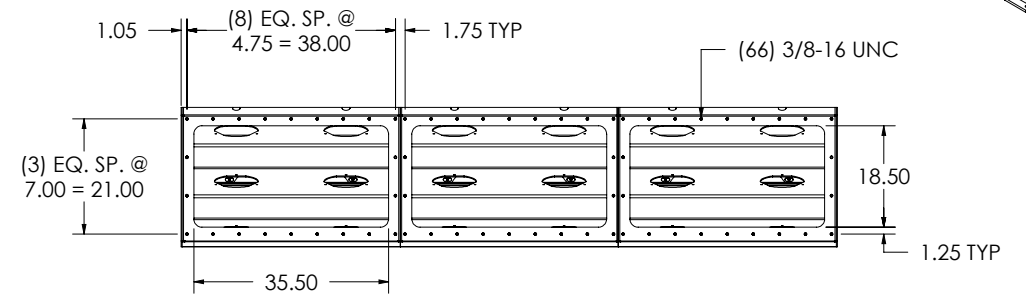
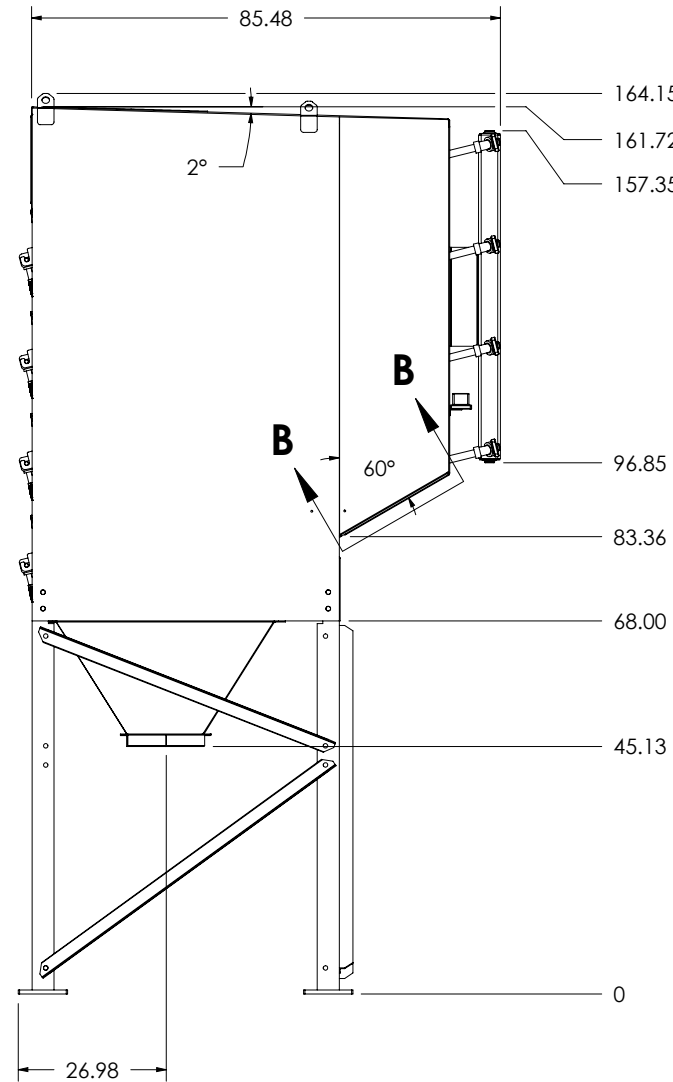
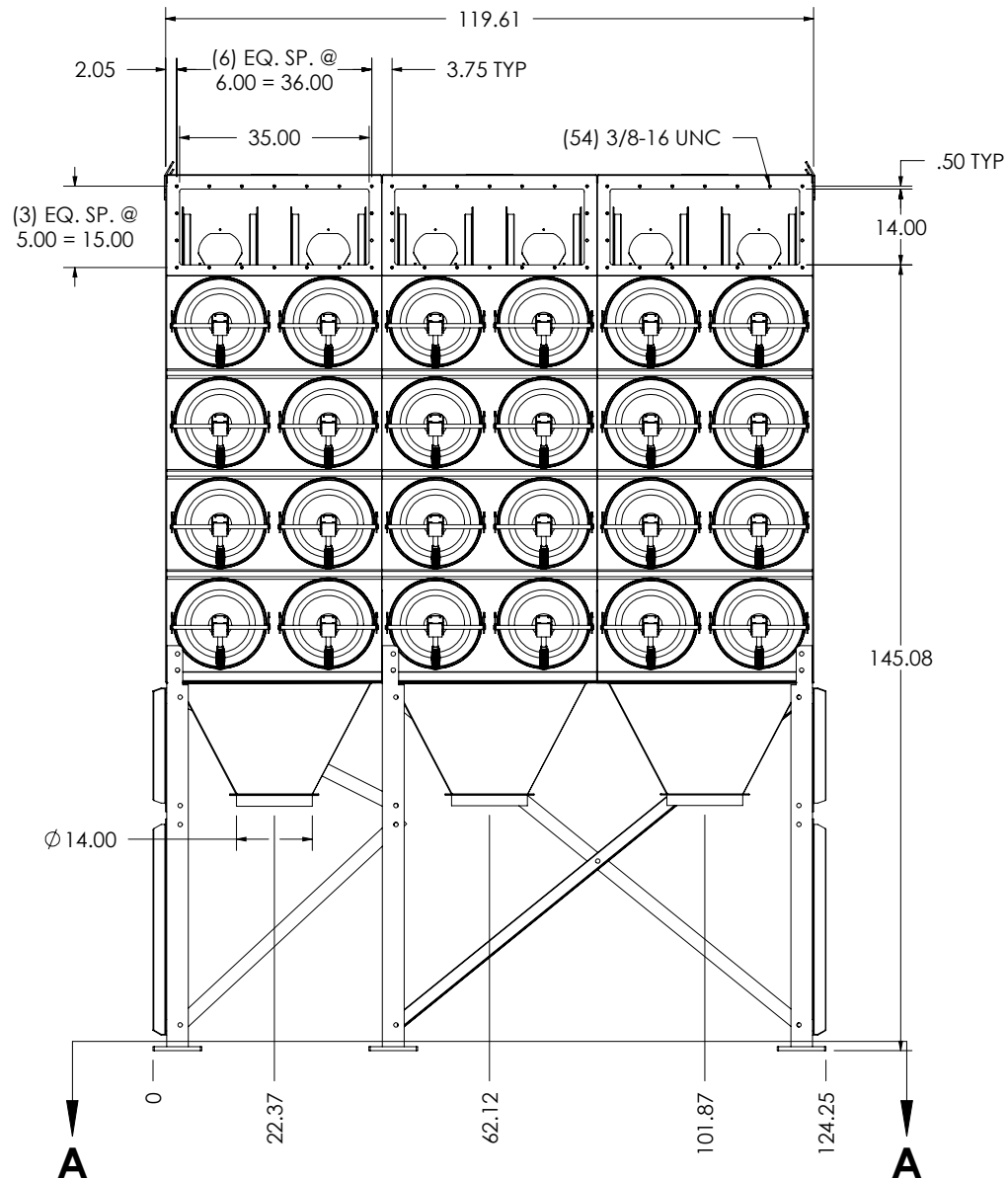
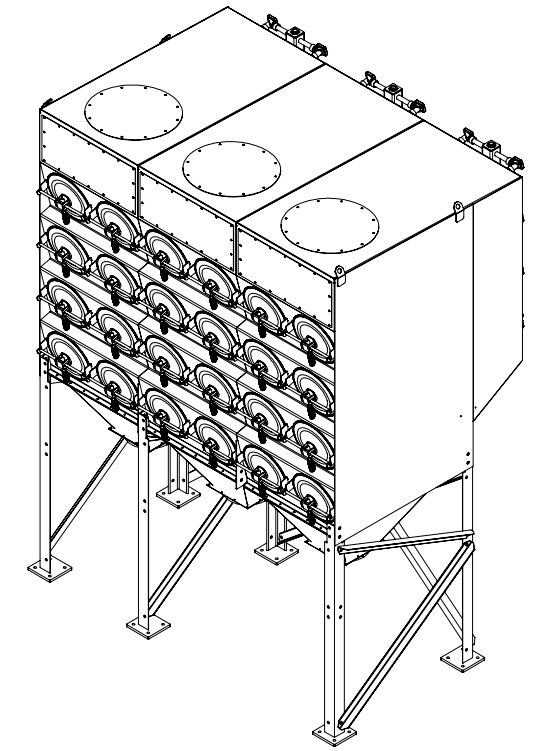



**SECTION A-A**

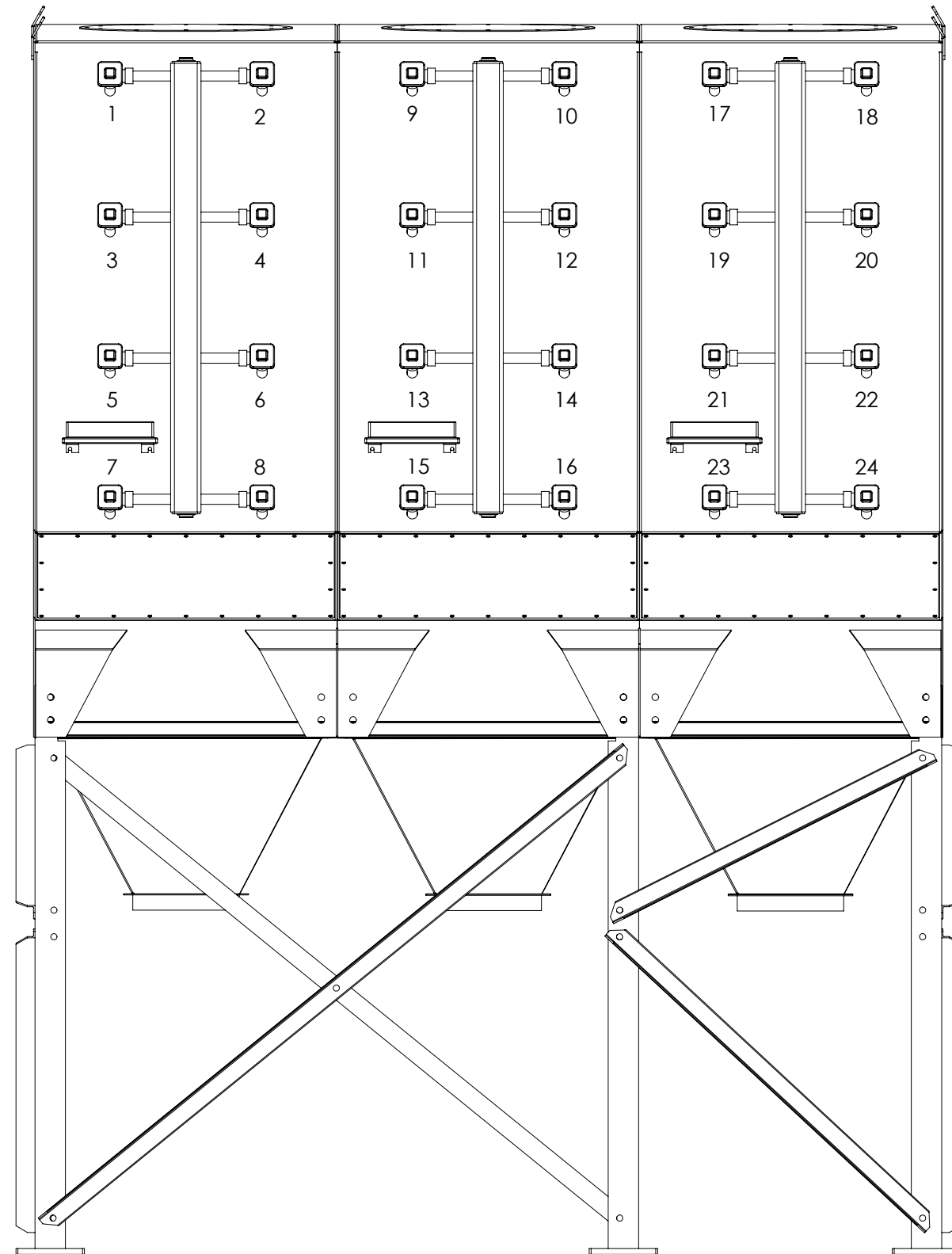


**SECTION B-B**


**ACCESSORIES:**

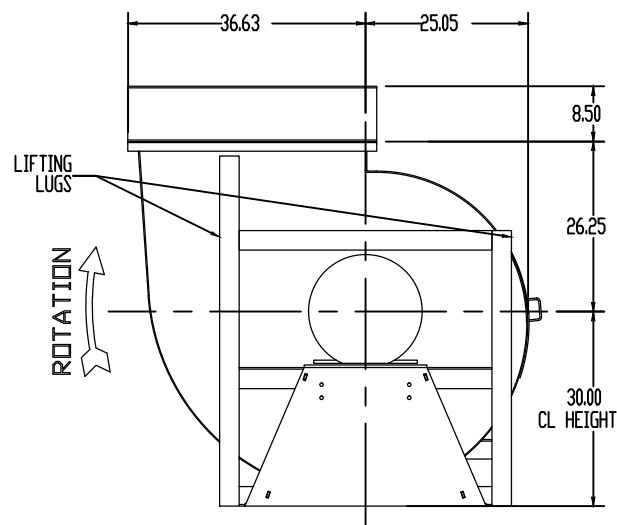
1. FAN BLOWER: TCF 330 BCS CL17 CW UBD ARR-4
2. FAN OUTLET DAMPER AND SILENCER
3. ALL-IN-ONE CONTROLS W/ VFD (50HP/460V)

REV	ECN	DATE	BY	CHK	DESCRIPTION
-	-	-	-	-	-
 <p>95 Cypress Dr. Youngsville, NC 27597 Phone: 919-570-2862 www.avanienvironmental.com</p>					
DRAWN BY: JX DATE: 4/8/14 CHKD BY: JX DATE: 4/8/14 SHOP NO.: SCALE: 1:35					
TITLE: SDC-AT-4-48				DRAWING NO.: BC 500013	
SHEET		ITEM		REV.	
1 OF 1		-		-	

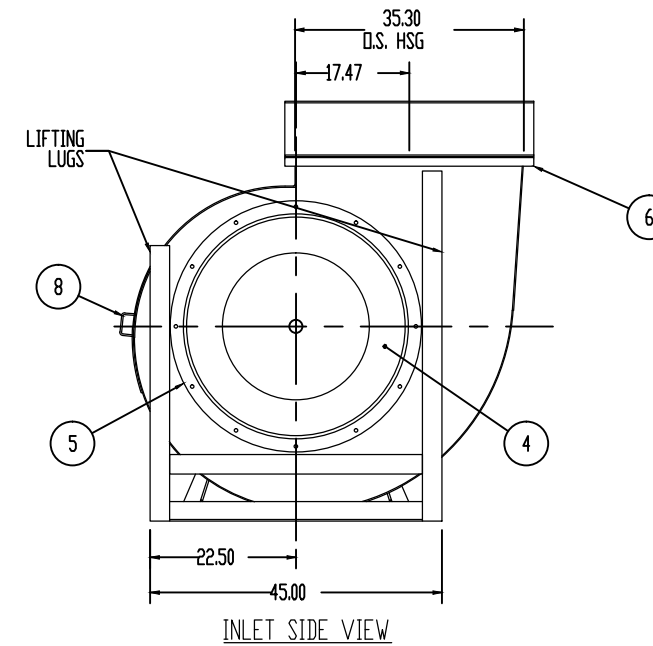
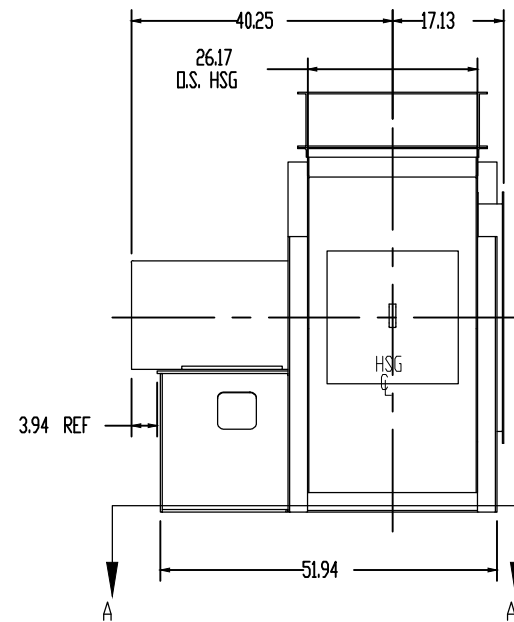


DRAWN BY  
JX  
DATE  
5/6/14  
CHKD BY  
-  
DATE  
-  
SHOP NO.  
-  
SCALE  
1:20

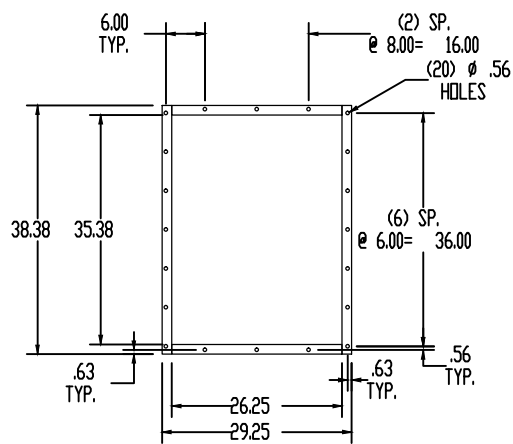
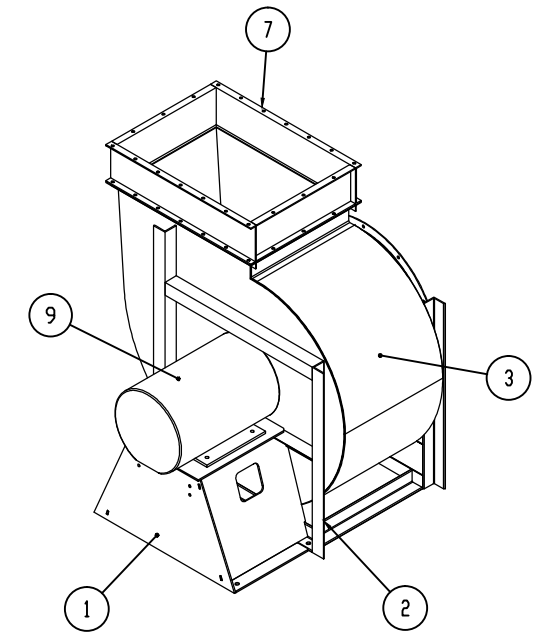
REV	ECN	DATE	BY	CHK	DESCRIPTION						
-	-	-	-	-	-						
 <p>95 Cypress Dr. Youngsville, NC 27597 Phone: 919-570-2862 www.avanienvironmental.com</p>											
TITLE SDC-AT-4-48 DIAPHRAGM LOCATIONS											
DRAWING NO. BC 500037					<table border="1"> <thead> <tr> <th>SHEET</th> <th>ITEM</th> <th>REV.</th> </tr> </thead> <tbody> <tr> <td>1 OF 1</td> <td>-</td> <td>-</td> </tr> </tbody> </table>	SHEET	ITEM	REV.	1 OF 1	-	-
SHEET	ITEM	REV.									
1 OF 1	-	-									



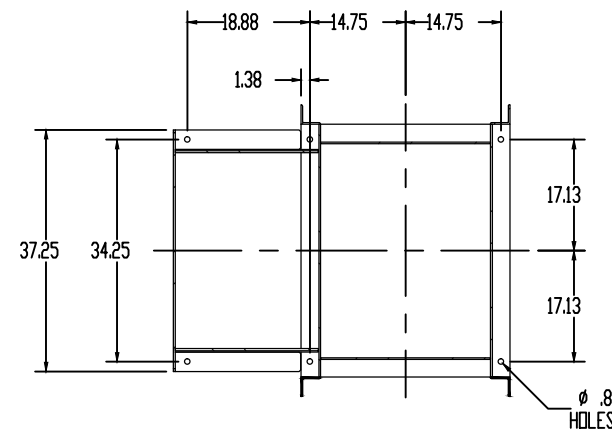
DRIVE SIDE VIEW



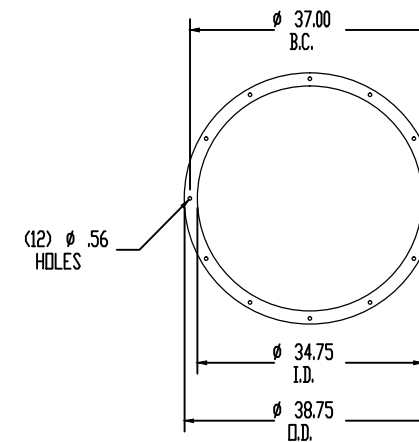
INLET SIDE VIEW



OUTLET FLANGE DETAIL



FOUNDATION PLAN - TOP VIEW SECTION A-A



INLET FLANGE DETAIL

- ACCESSORIES:  
 1. DRAIN - 3/4" NPT W/PLUG  
 2. SHAFT SEAL - STD TYPE  
 3. COATING: ENTIRE FAN; ENAMEL - STD.; ENAMEL - AEROVENT GRAY INCLUDING DAMPER; PREP: TOOL CLEAN & WASH; CURING: PLANT DISCRETION

ITEM	DESCRIPTION	QTY	NOTES
10	WHEEL(NOT SHOWN)	1	
9	MOTOR	1	50 HP, 1800 RPM, 3/60/230-460V, TEFC-PREMIUM, 326T FRAME FURN & MTD BY TCF
8	ACCESS DOOR	1	BOLTED
7	DISCHARGE DAMPER	1	PARALLEL BLADE(STD TYPE) W/D STUFFING BOX PER AC14941
6	OUTLET FLANGE	1	1.5' x 1.5' x .25' ANGLE, PUNCHED PER DETAIL
5	INLET FLANGE	1	7 GA THK FLANGE, PUNCHED PER DETAIL
4	INLET CONE	1	
3	HOUSING ASSEMBLY	1	HSG SIDE = 7 GA., SCROLL = 7 GA.
2	FRAME	1	
1	PEDESTAL	1	

\* THE DESIGN SHOWN ON THIS DRAWING IS THE EXCLUSIVE PROPERTY OF TWIN CITY FAN COMPANIES, LTD. IT IS NOT TO BE USED FOR ANY PURPOSE OR ITS CONTENTS DISCLOSED WITHOUT OUR WRITTEN CONSENT.

JOB AND LOCATION	
CUSTOMER NAME	
JOB NAME	94AVANI
JOB ID	94AVANI
SOL NUMBER	516982
TAG UNIT	BCS 330 - 20,000

PERFORMANCE 'A'	
TEMP.	70°F
ELEVATION	0 FT
DENSITY	0.075
CFM	20000
SP.	12
RPM	1750
BHP.	47.48
T.S.	15119
D.V.	3195

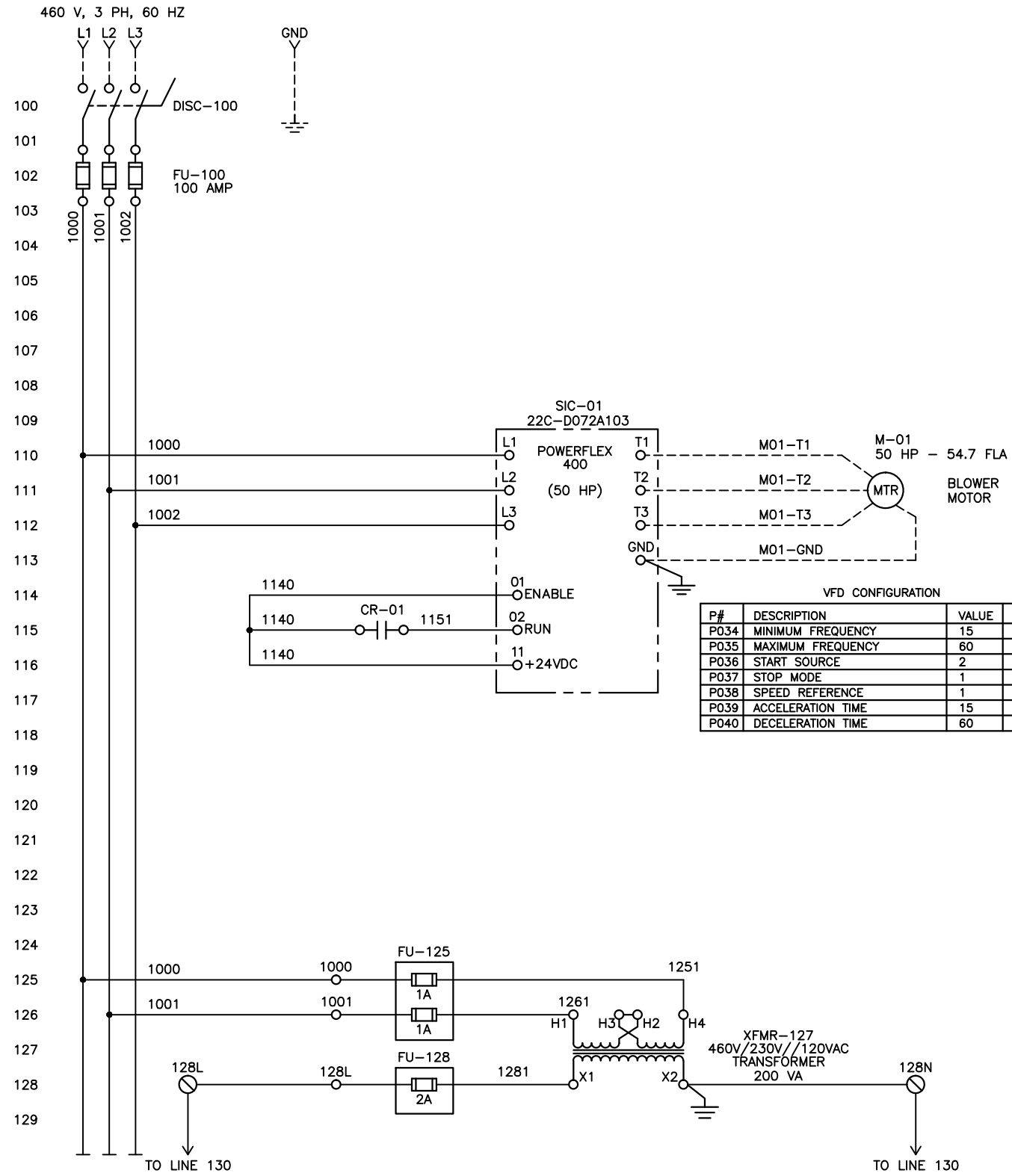
REV	REV BY	REV DATE	CHK BY	CHK DATE	DESCRIPTION
-	-	-	-	-	

Fans & Blowers

5959 Trenton Lane N | Minneapolis, MN 55442  
 ISO-9001:2008 Registered

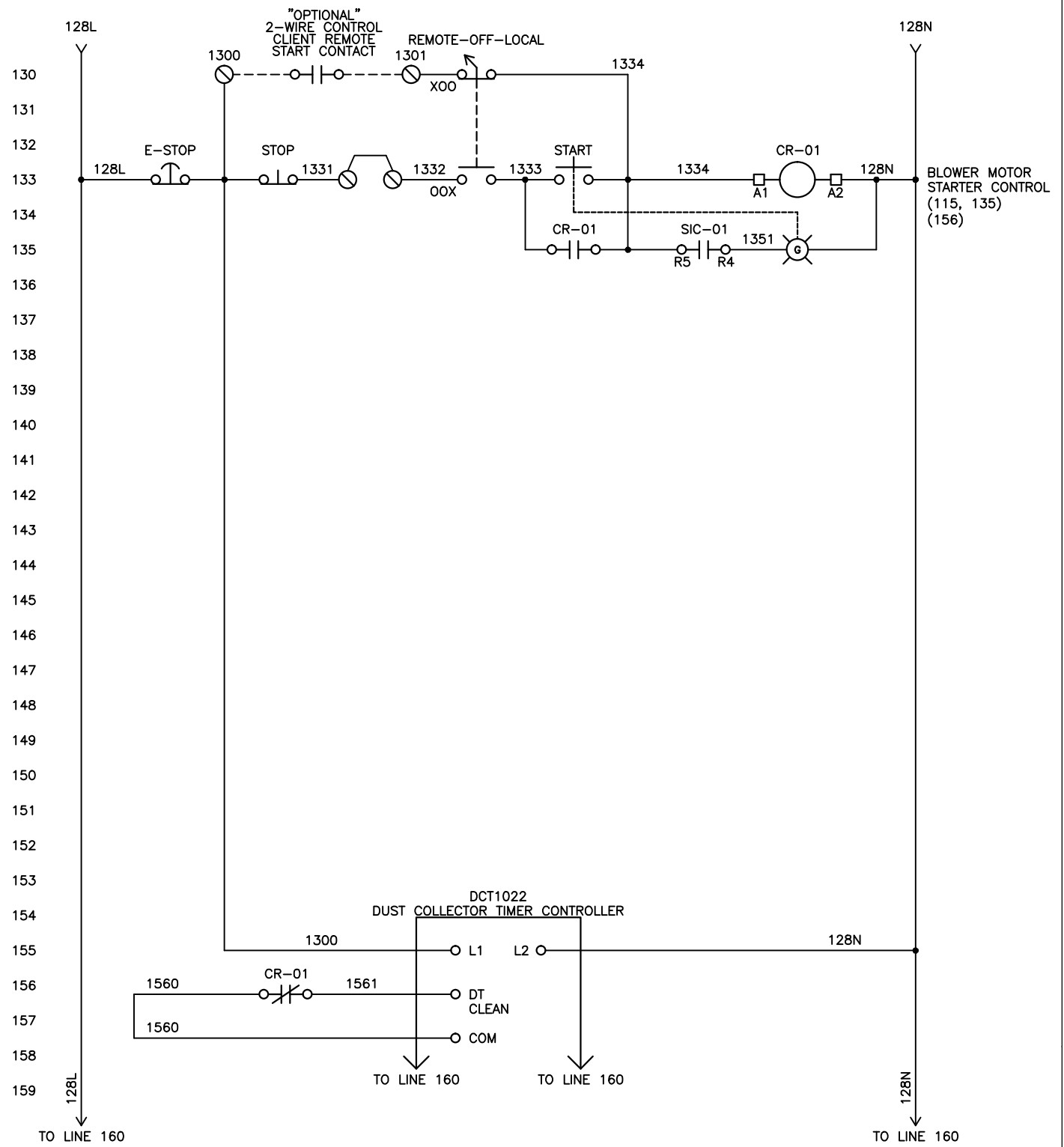
TITLE  
 SIZE 330, TYPE BCS, CL 17, CW ROT, UBD DISCH  
 ARR-4, NON-ROT

DRAWING NO.	ROW	ITEM	SHEET	REV.
BC 516982	001	00	1 OF 1	



VFD CONFIGURATION

P#	DESCRIPTION	VALUE	UNITS
P034	MINIMUM FREQUENCY	15	HZ
P035	MAXIMUM FREQUENCY	60	HZ
P036	START SOURCE	2	2-WIRE
P037	STOP MODE	1	COAST
P038	SPEED REFERENCE	1	KEYPAD
P039	ACCELERATION TIME	15	SEC
P040	DECELERATION TIME	60	SEC



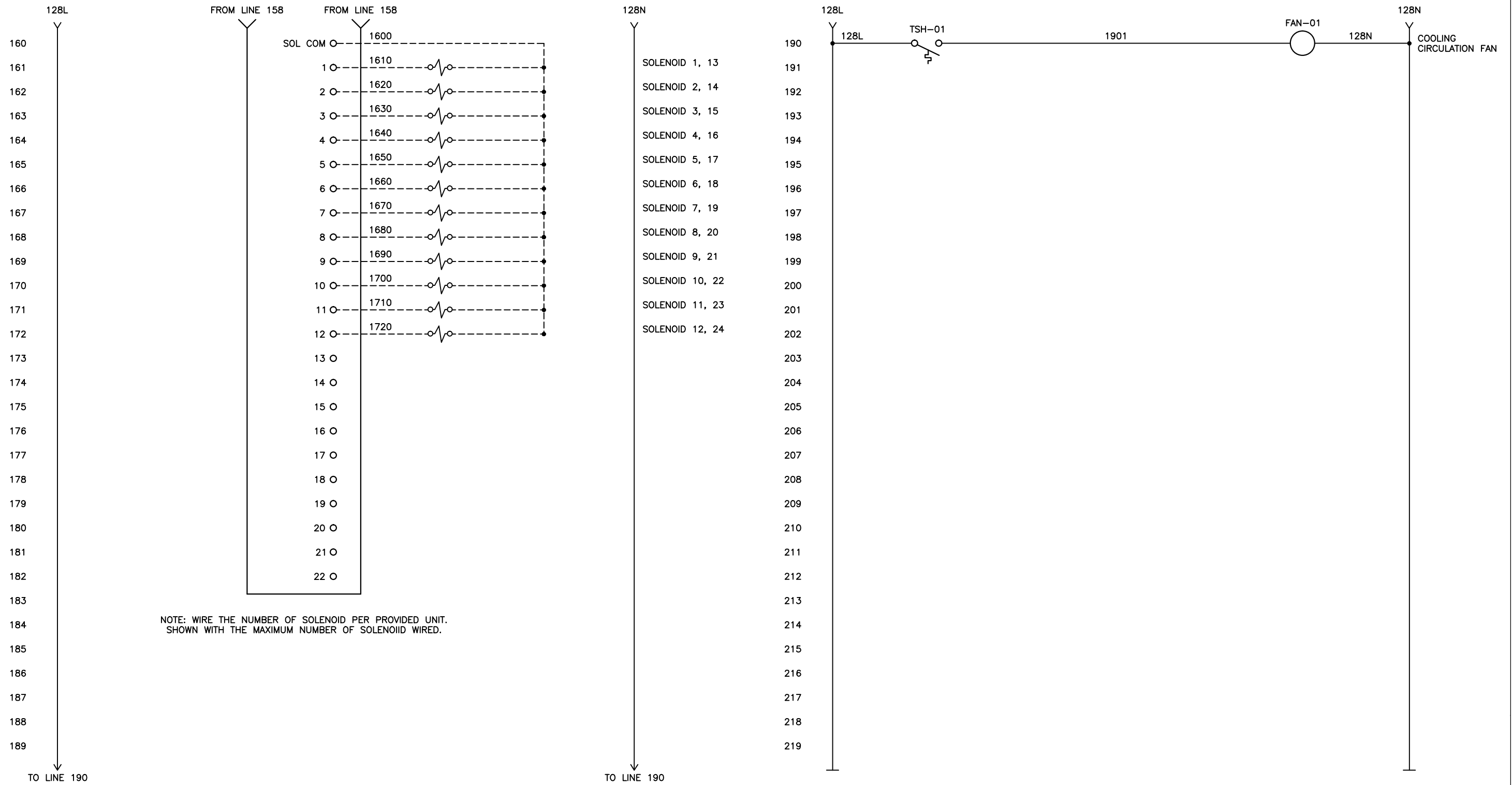
THIS DRAWING IS CONFIDENTIAL PROPERTY OF ENGINEERING FIRM  
DO NOT DUPLICATE IN ANY TYPE WITHOUT PROPER WRITTEN PERMISSION.  
IF YOU ARE NOT THE INTENDED CLIENT PLEASE DESTROY THIS DOCUMENT.

**DUST COLLECTOR  
BLOWER PACKAGE W/ ROTARY FEEDERS  
460V - 50 HP PF400 VFD + FAN + 22XV  
WITH DUST COLLECTOR TIMER CONTROLLER**

REV.	DESCRIPTION	DATE	FILE PATH: c:\clients\	PLOT DATE: 7/1/14
1	CREATED	9/3/14		

DRAWN BY: CCI	DATE: 9/3/14	DRAWING SCALE NONE	CLIENT NAME	DRAWING NUMBER 50HP PF400 VFD-1
CHECKED BY: CCI	DATE: 9/3/14		PROJECT NUMBER	

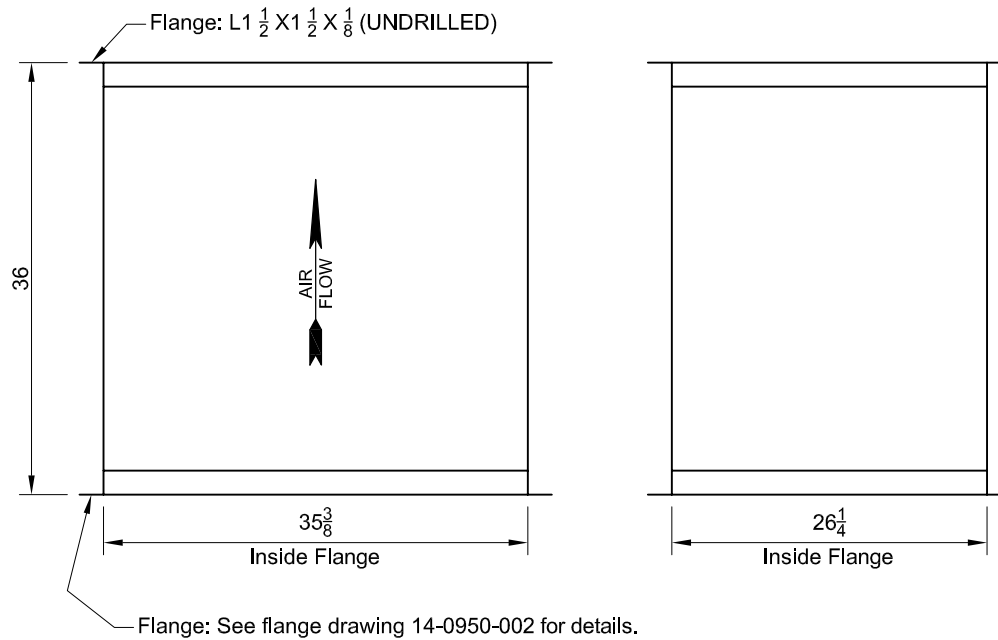
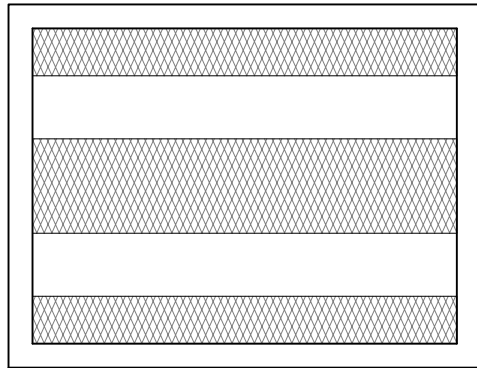
DCT1010  
DUST COLLECTOR TIMER CONTROLLER  
CONTINUED



NOTE: WIRE THE NUMBER OF SOLENOID PER PROVIDED UNIT.  
SHOWN WITH THE MAXIMUM NUMBER OF SOLENOIID WIRED.

THIS DRAWING IS CONFIDENTIAL PROPERTY OF ENGINEERING FIRM DO NOT DUPLICATE IN ANY TYPE WITHOUT PROPER WRITTEN PERMISSION. IF YOU ARE NOT THE INTENDED CLIENT PLEASE DESTROY THIS DOCUMENT.			DUST COLLECTOR BLOWER PACKAGE W/ ROTARY FEEDERS 460V - 50 HP PF400 VFD + FAN + 22XV WITH DUST COLLECTOR TIMER CONTROLLER		
REV.	DESCRIPTION	DATE	FILE PATH: c:/Clients/	CLIENT NAME	PLOT DATE: 7/1/14
1	CREATED	9/3/14			
			DRAWN BY: CCI	DATE: 9/3/14	DRAWING NUMBER 50HP PF400 VFD-2
			CHECKED BY: CCI	DATE: 9/3/14	PROJECT NUMBER
				DRAWING SCALE NONE	

Note: The baffles are not drawn to scale.



**Silencer Information**

Silencer Tag: SA-1  
 Model: 26VRDS-S21  
 Quantity: 1  
 Unit Weight: 269 lbs  
 Pressure Drop: 0.52 in WG

**Fan Information**

Fan Tag: FAN-1  
 Rating: 20000 cfm at 0.075 lb/ft<sup>3</sup>  
 Design Temp: 70 °F  
 Operating Temp: 70 °F  
 Width: Single Width

**Noise Criterion**

Required: 85dBA  
 Position No.: 1 (0° from Silencer Openings)  
 Distance: 3ft  
 Location: Inside - Large Space

Frequency (Hz)	63	125	250	500	1K	2K	4K	8K
Fan Lw (dB)	107	102	99	97	96	94	90	84
Net IL (dB)	3	6	7	12	14	11	9	8

**Exterior Coating System**

System: Direct to Metal Enamel  
 Colour Code: aerovent grey  
 Surface Prep: SP 2  
 Coat 1: Interlac 789 DTM Enamel ( 2-4 mils )  
 Coat 2:  
 Coat 3:

**Construction**

- 14GA Hot Rolled Steel Casing
- Galvanized Internals
- Acoustic Media with Fiberglass Cloth Media Protection

**Accessories**

-

**Notes**

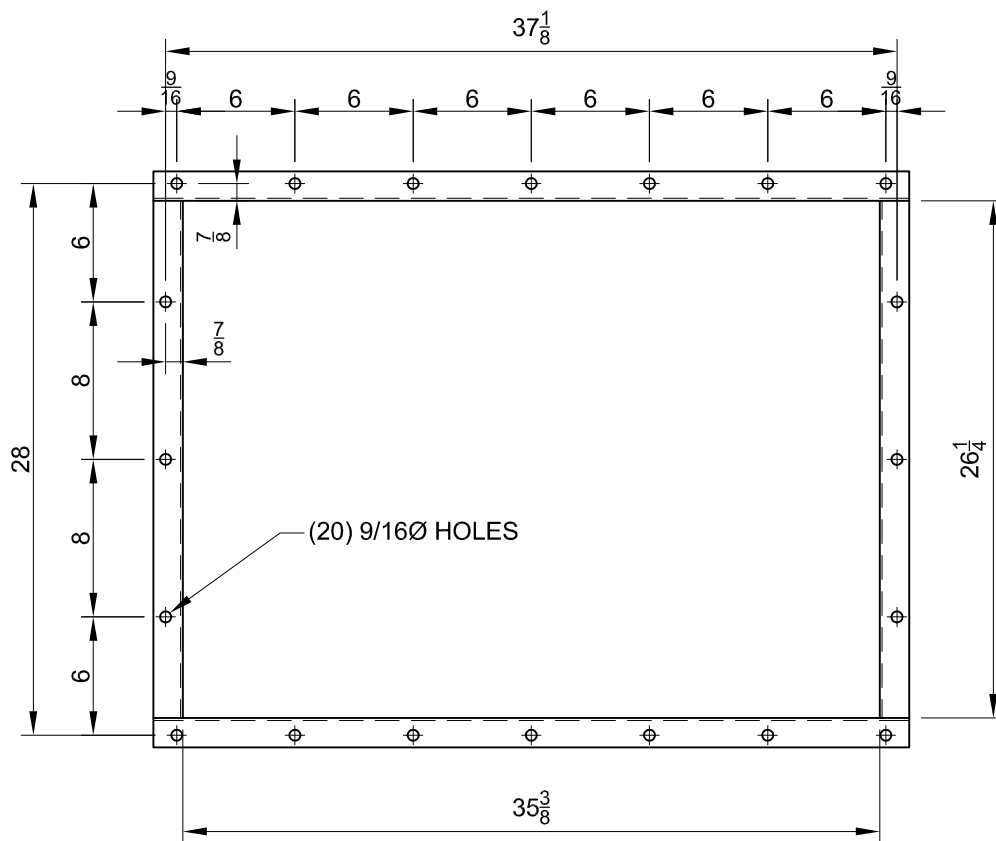
-

The silencer selection is based on the input fan sound data provided by the fan manufacturer. It does not take into consideration other factors which may contribute to the over all sound level. This may include noise from the motor, casing, duct, or other equipment. The silencer construction is valid for temperatures equal to or less than 500 °F (260 °C). The standard coating is valid for temperatures equal to or less than 200 °F (93 °C).

					This document contains material and/or information which is the property of VAW Systems Ltd. and is supplied only on a confidential basis. No reproduction, transmittal, or disclosure shall be made by any person, firm, or corporation without the prior written approval of VAW Systems Ltd.	Unless Otherwise Specified: -Dimensions are in inches. -Dimensions shown are nominal. For information on manufacturing tolerances contact VAW Systems Ltd.	<b>VAW Systems NOISE CONTROL</b>	
							1300 Inkster Blvd., Winnipeg, Manitoba, Canada	www.vawsystems.com
							CUSTOMER AIR CLEANING TECHNOLOGY	
							PROJECT AVANI 9500	
A	CERTIFIED FOR CONSTRUCTION	02-OCT-2014	MH	MH			DWG TITLE RDS - RECTANGULAR DISCHARGE SILENCER	
REV	DESCRIPTION	DATE ISSUED	BY	APR. BY			GENERAL DESIGN & PERFORMANCE	
	REVISIONS						SIZE A	DWG No. <b>14-0950-001</b>
								REV <b>A</b> SHT <b>1 OF 1</b>

# SHEAR LIST

ITEM	QTY TOTAL REQ'D	QTY PER ASS'Y	PART NUMBER	PART DESCRIPTION	MATERIAL COMP.	MATERIAL DESCRIPTION	CUTTING SIZE		FORM / NOTES
							WIDTH	LENGTH	
01	1		-01	INLET FLANGE					
02	2	2	-02	SIDES	HRS	L 1 1/2 x 1 1/2 x 1/8		26 1/8	
03	2	2	-03	TOP & BOTTOM	HRS	L 1 1/2 x 1 1/2 x 1/8		38 3/8	



					This document contains material and/or information which is the property of VAW Systems Ltd. and is supplied only on a confidential basis. No reproduction, transmittal, or disclosure shall be made by any person, firm, or corporation without the prior written approval of VAW Systems Ltd.	Unless Otherwise Specified: -Dimensions are in inches. -Dimensions shown are nominal. For information on manufacturing tolerances contact VAW Systems Ltd.	<h2 style="margin: 0;">VAW Systems</h2> NOISE CONTROL 1300 Inkster Blvd., Winnipeg, Manitoba, Canada    www.vawsystems.com
							CUSTOMER <b>AIR CLEANING TECHNOLOGY</b>
							PROJECT <b>AVANI 9500</b>
							DWG TITLE <b>RDS - RECTANGULAR DISCHARGE SILENCER</b>
							<b>GENERAL DESIGN &amp; PERFORMANCE</b>
A	CERTIFIED FOR CONSTRUCTION	02-OCT-2014	MH	MH			SCALE <b>NTS</b>
REV	DESCRIPTION	DATE ISSUED	BY	APR. BY			DATE <b>02-OCT-2014</b>
							DWN BY <b>MH</b>
	REVISIONS						MODEL No. <b>26VRDS-S21</b>
							SIZE <b>A</b> DWG No. <b>14-0950-002</b>
							REV <b>A</b> SHT <b>1 OF 1</b>