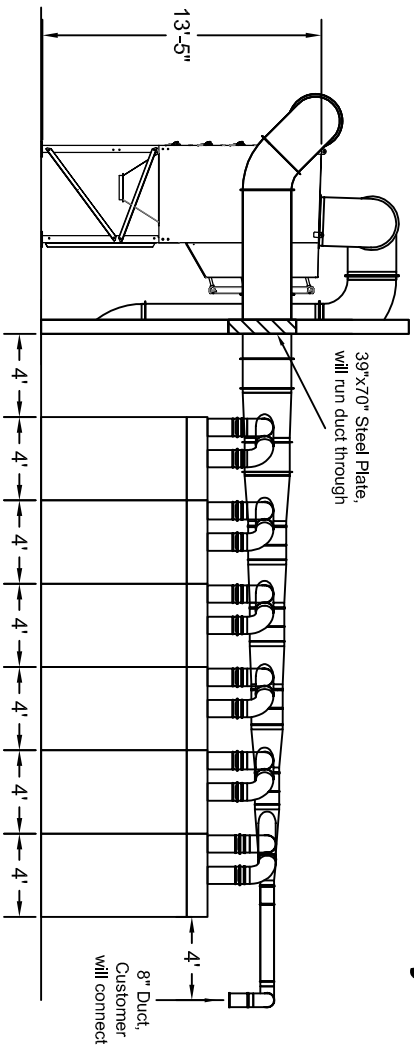
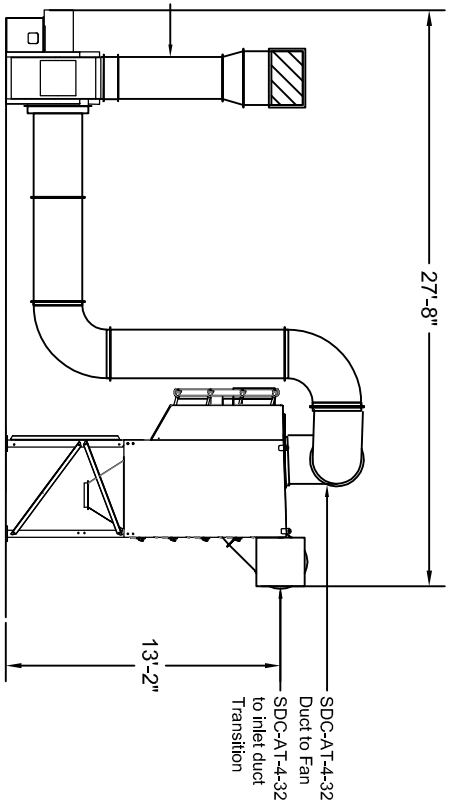


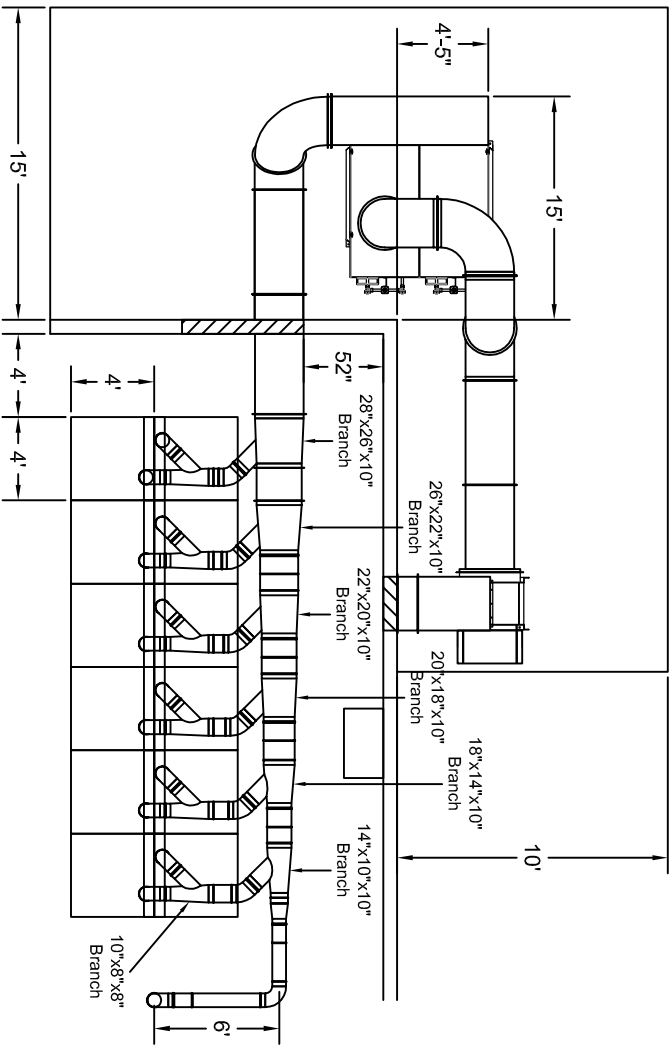
Boilermakers Local 242 Duct Layout



Elevation View - South Side



Elevation View - North Side



Plan View

- Notes:
1. Support from ceiling via duct hangers
 2. Cut Ø8.5" hole into booths for pipe
 3. Avani Environmental standard installation crew is quoted out per day based on the above drawings and approvals. Any changes, modifications, downtime, or inability to perform our work above and beyond the control of Avani Environmental will charge an additional \$1,000 per work day (5 or more hours) per crew above what was initially quoted.

Avani Environmental Intl. Inc.
95 Cypress Drive
Youngsville, NC 27596
P# 919-570-2862 F# 919-570-2863



Project: Boilermakers Spokane Local 242

Drawing: Duct Layout

Date: 10/28/14

Drawn by: MDT

Sheet No:

Rev 6