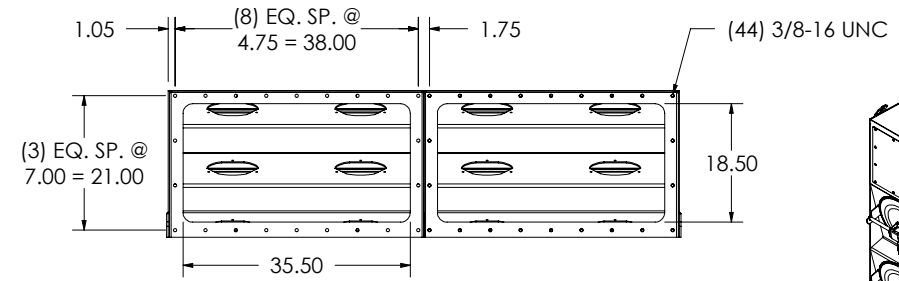
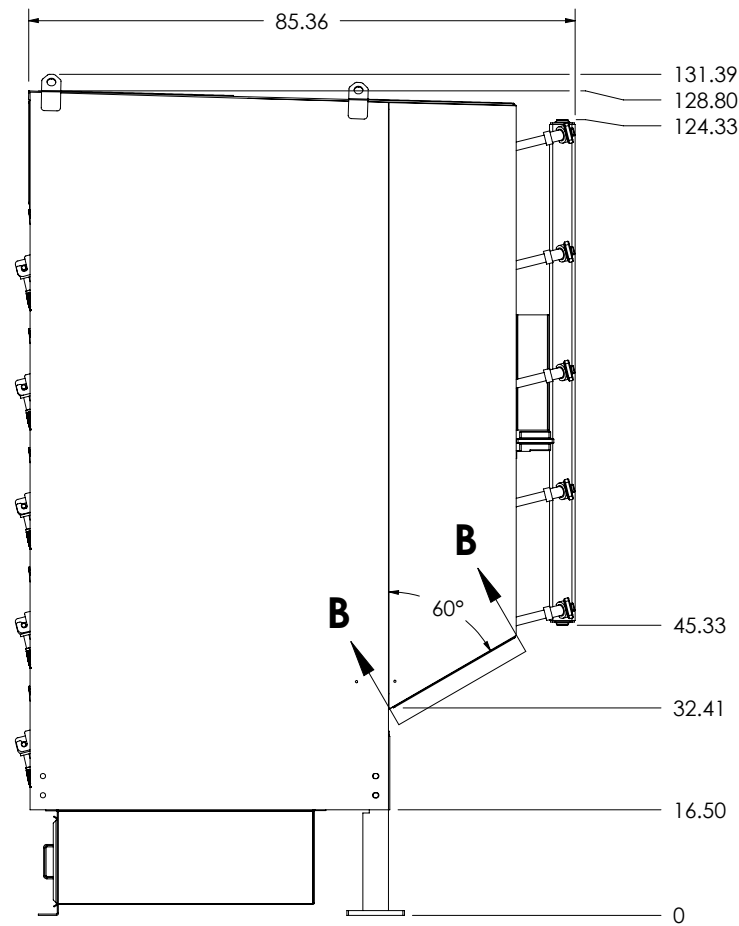
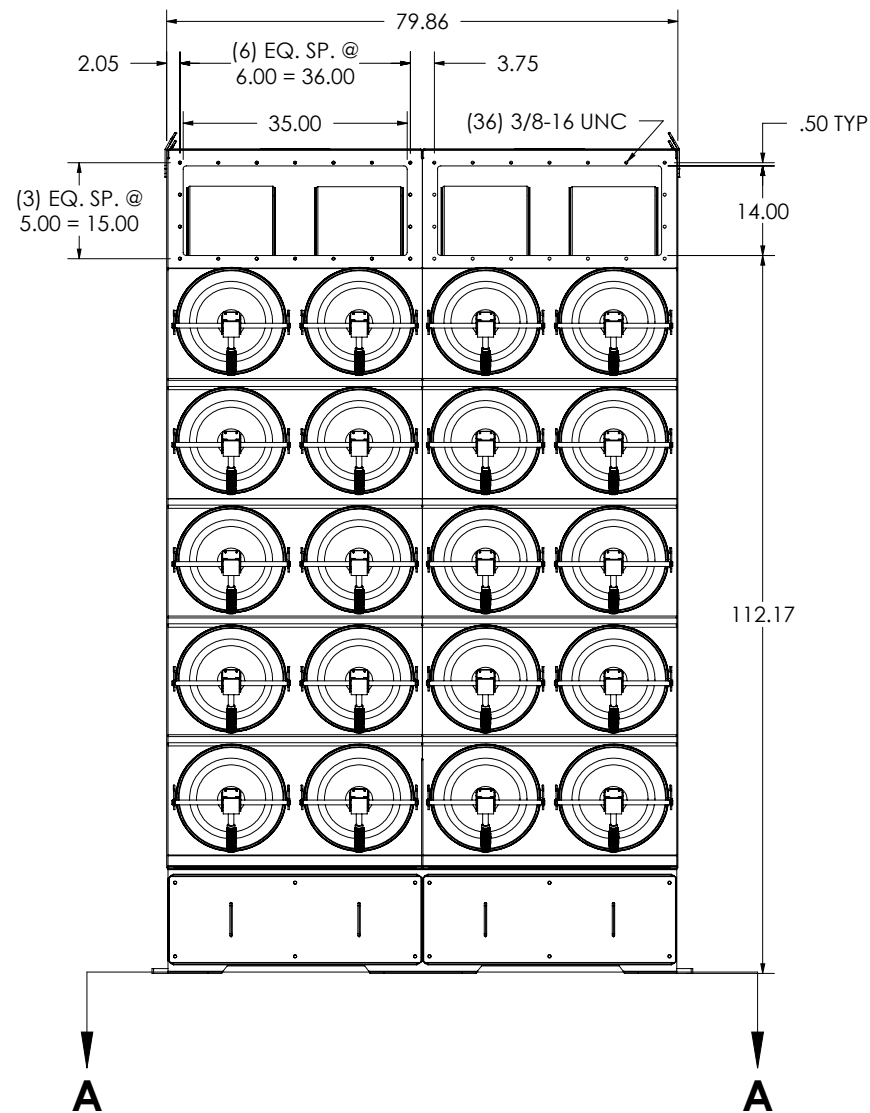
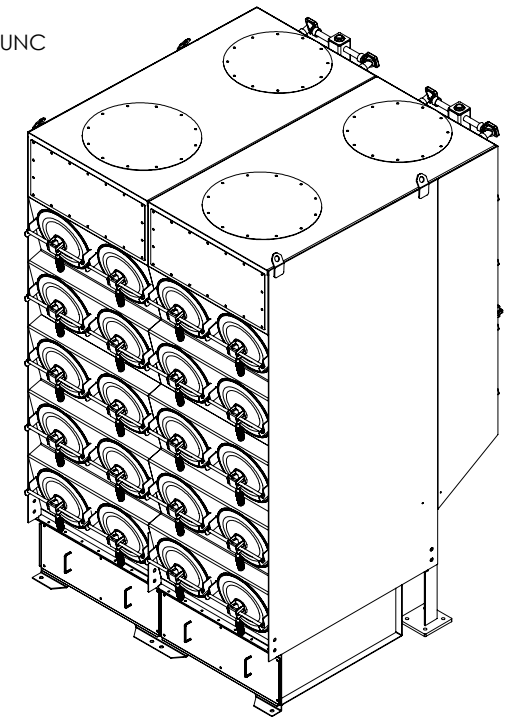


SECTION A-A




SECTION B-B

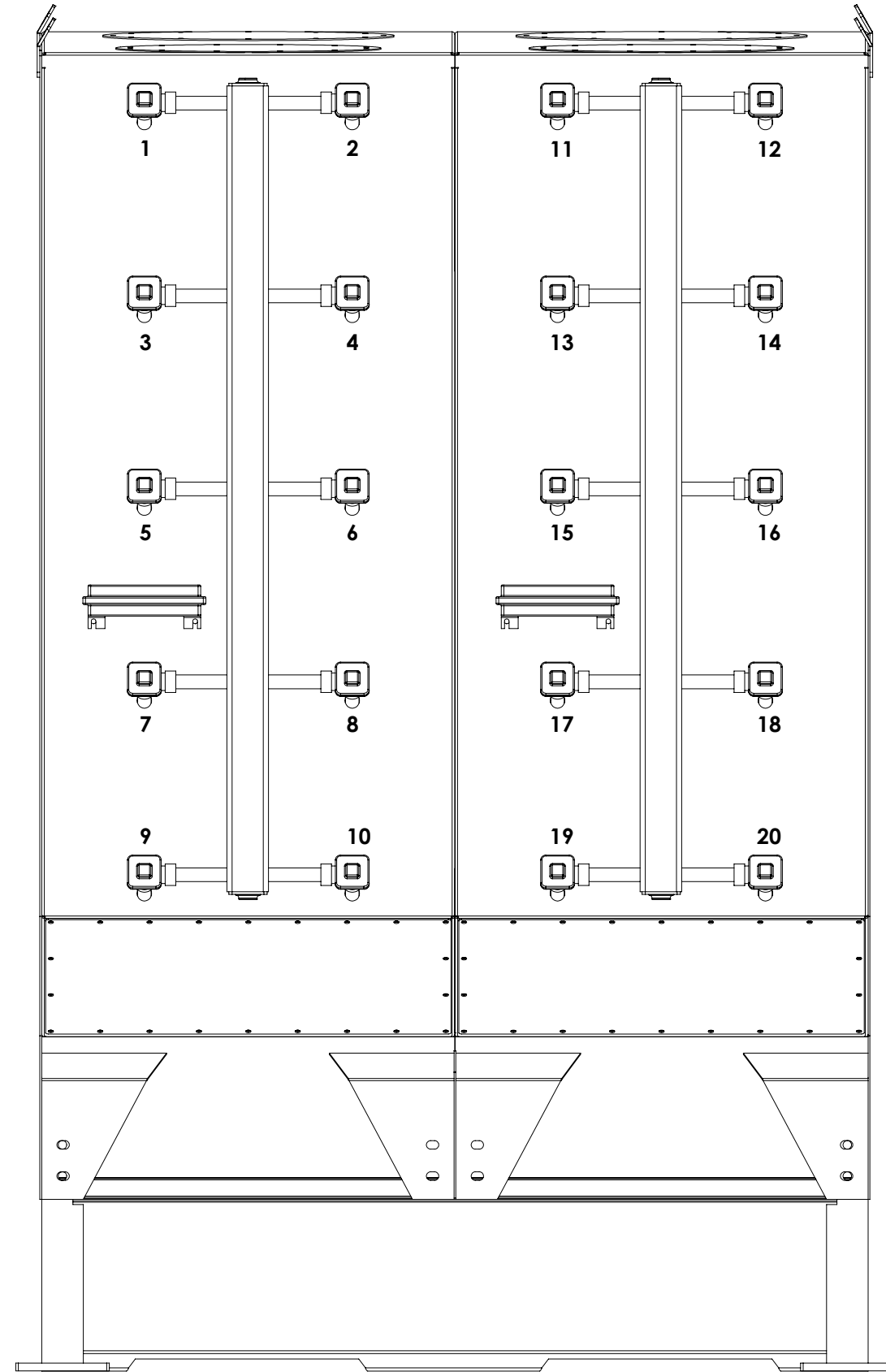


NOTES:


1. FAN BLOWER: (2 QTY) TCF TCBI 30
2. ALL-IN-ONE CONTROLS (30HP/460V)
3. FAN OUTLET SILENCER
4. BUILT-IN OUTLET DAMPER

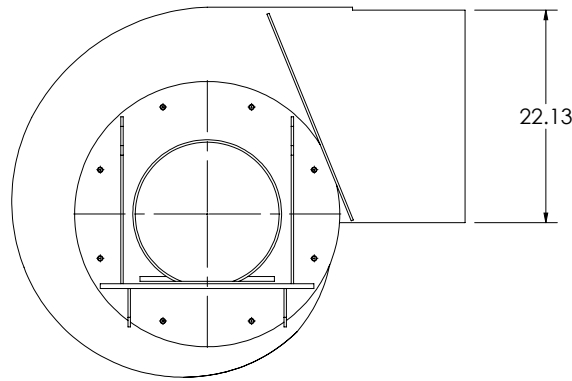
REV	ECN	DATE	BY	CHK	DESCRIPTION
-	-	-	-	-	-
					
95 Cypress Dr. Youngsville, NC 27597 Phone: 919-570-2862 www.avanienvironmental.com					
TITLE					
SDC-AT-5-40 DD					
DRAWING NO.					
BC 15672-001					
SHEET					
1 OF 2					
ITEM					
-					
REV.					
-					

DRAWN BY	JX
DATE	9/5/14
CHKD BY	-
DATE	-
SHOP NO.	-
SCALE	1:30

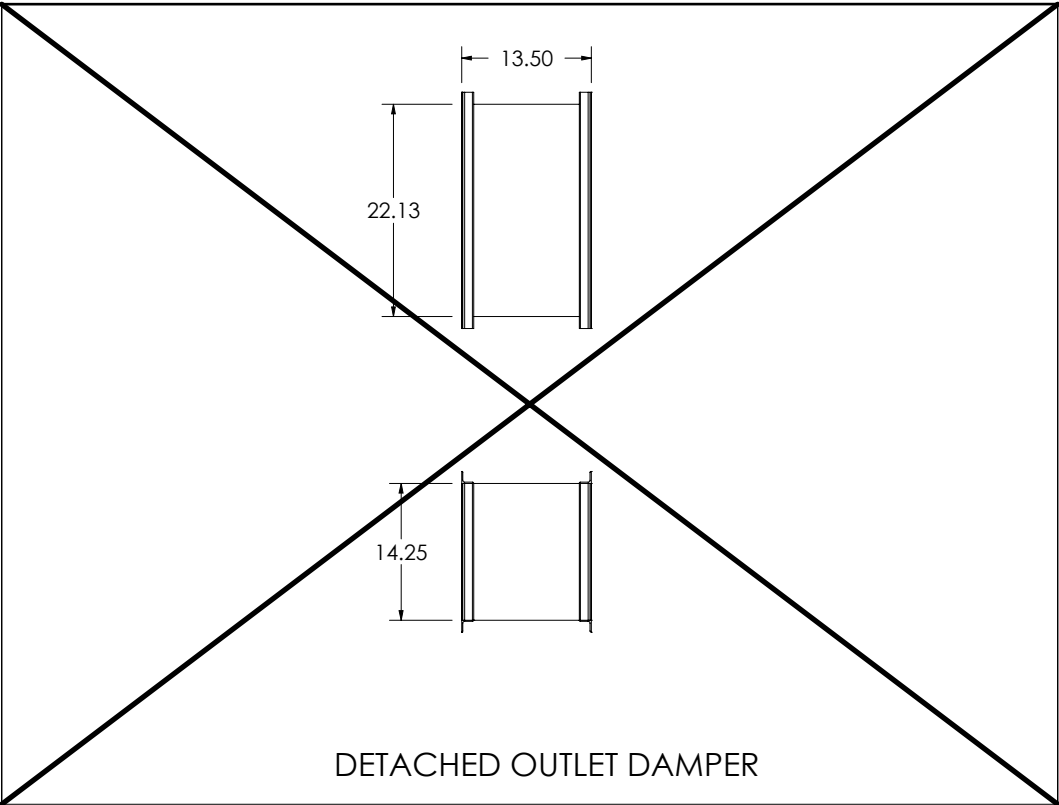


DRAWN BY
JX
DATE
9/5/14
CHKD BY
-
DATE
-
SHOP NO.
-
SCALE
1:15

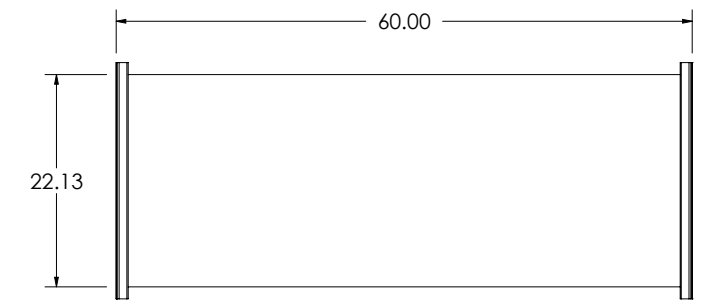
REV	ECN	DATE	BY	CHK	DESCRIPTION						
-	-	-	-	-	-						
 <p>95 Cypress Dr. Youngsville, NC 27597 Phone: 919-570-2862 www.avanienvironmental.com</p>											
TITLE SDC-AT-5-40 DD DIAPHRAGM VALVE LOCATIONS											
DRAWING NO. BC 15672-001					<table border="1"> <thead> <tr> <th>SHEET</th> <th>ITEM</th> <th>REV.</th> </tr> </thead> <tbody> <tr> <td>2 OF 2</td> <td>-</td> <td>-</td> </tr> </tbody> </table>	SHEET	ITEM	REV.	2 OF 2	-	-
SHEET	ITEM	REV.									
2 OF 2	-	-									



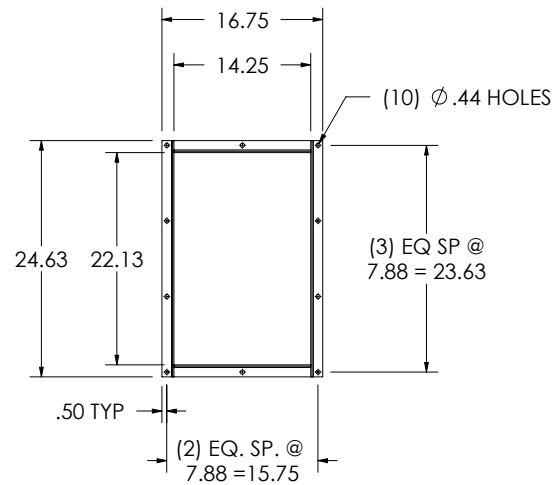
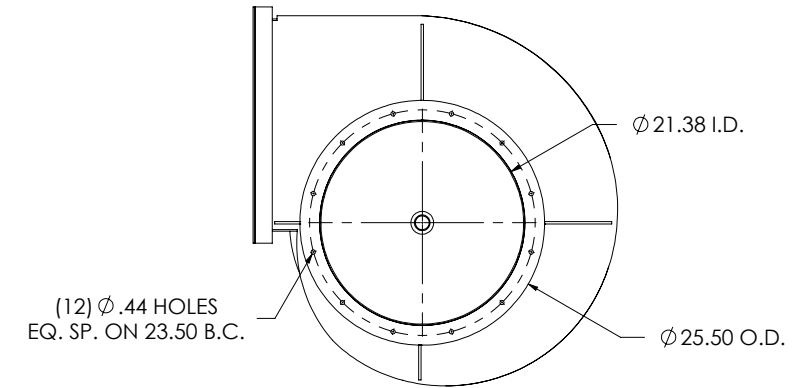
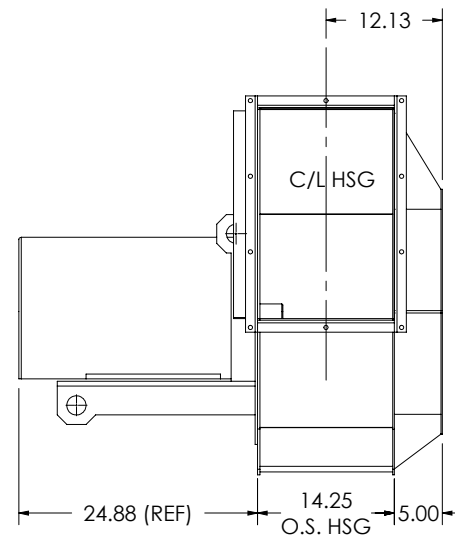
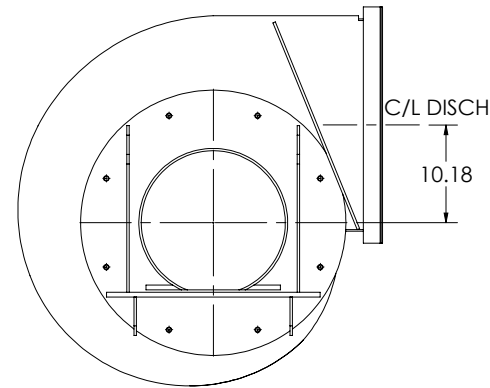
BUILT-IN DAMPER



DETACHED OUTLET DAMPER




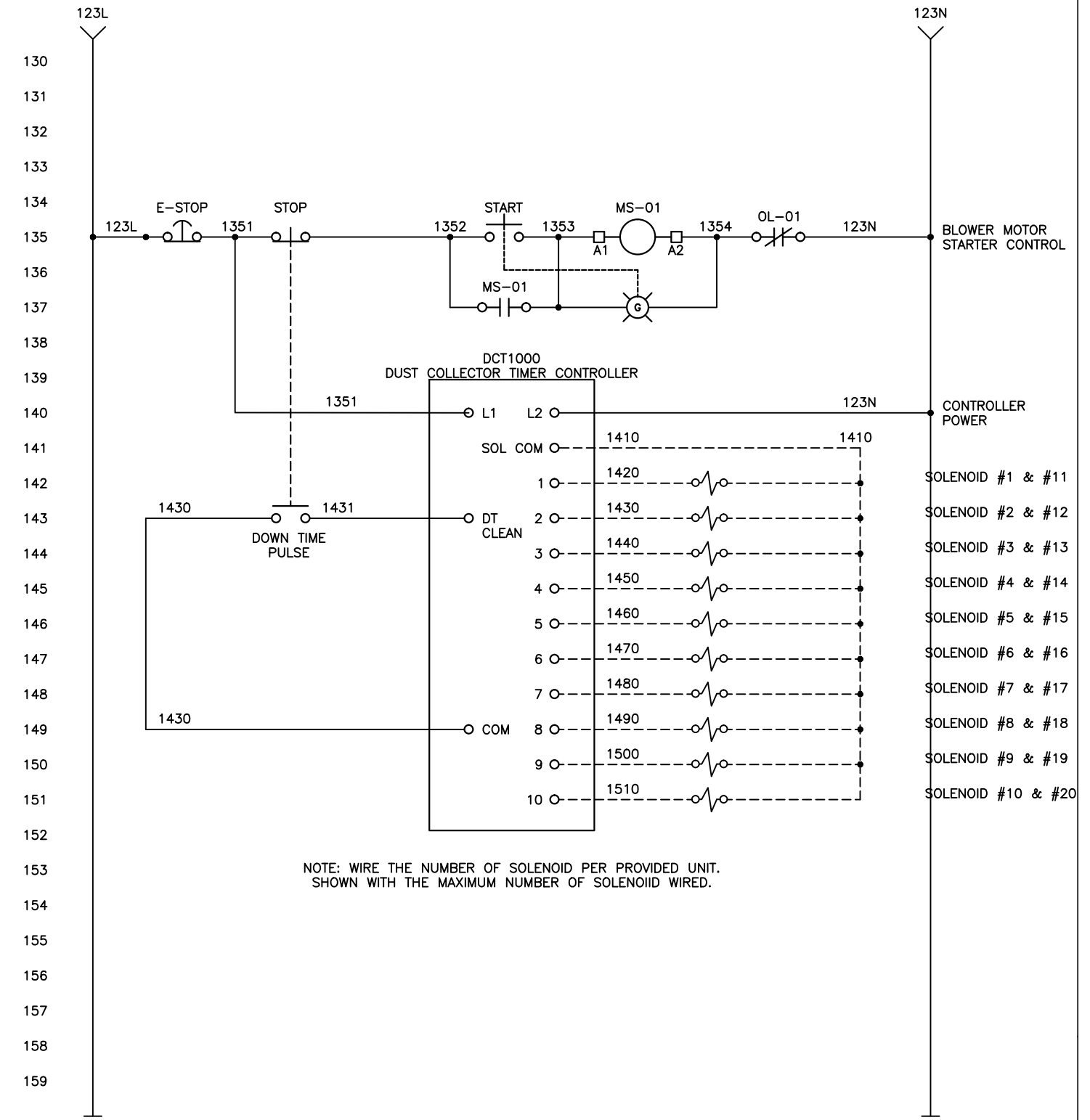
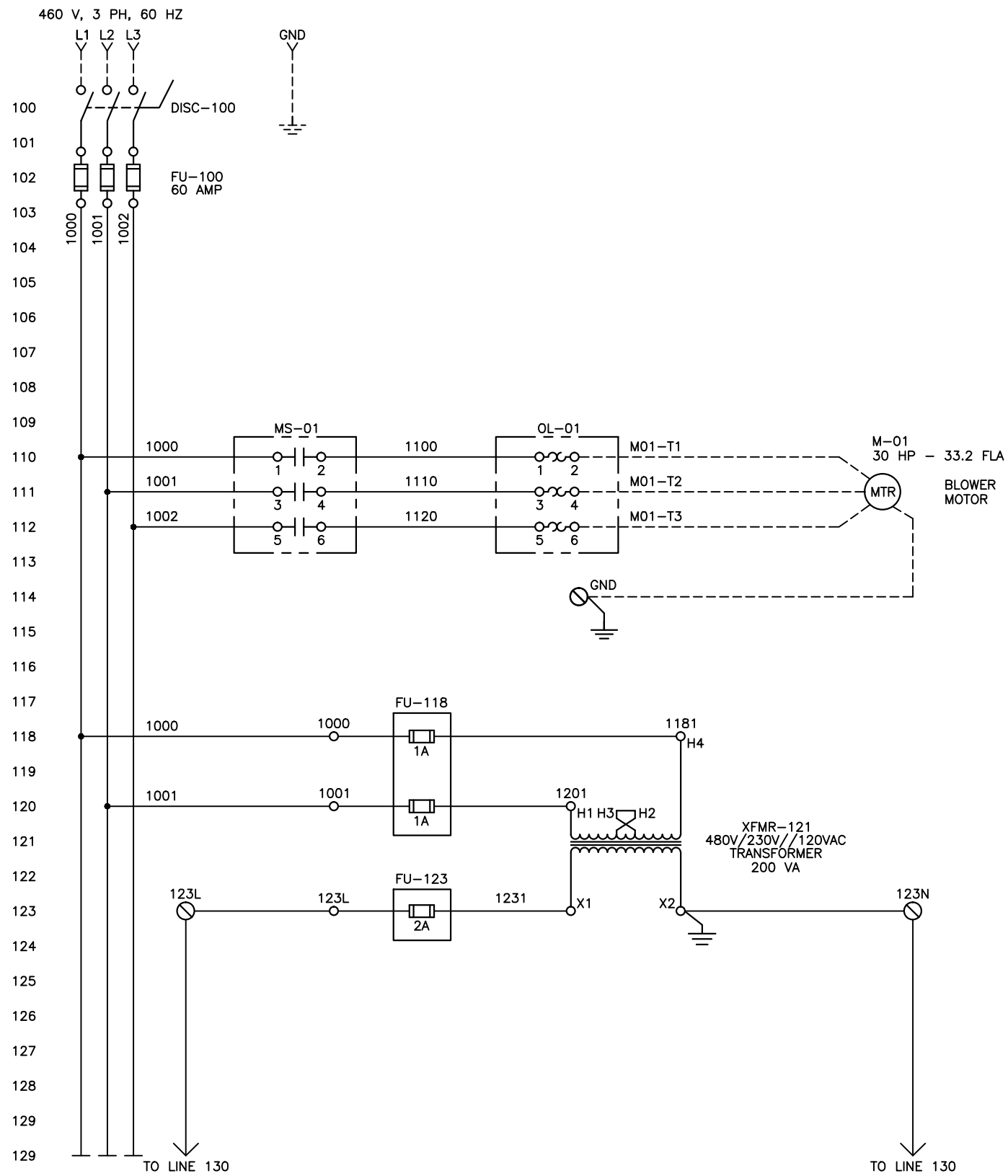
OUTLET SILENCER



FLANGE DETAIL

NOTES:
1. "CW" ROTATION SHOWN. "CCW" ROTATION SIMILAR BUT OPPOSITE.

REV	ECN	DATE	BY	CHK	DESCRIPTION
-	-	-	-	-	-
 95 Cypress Dr. Youngsville, NC 27597 Phone: 919-570-2862 www.avanienvironmental.com					
DRAWN BY JX		DATE 7/25/13		TITLE TCF 30 TCBI	
CHKD BY JX		DATE 7/25/13		FAN W/ ACCESSORIES	
SHOP NO. 15672-001		DRAWING NO. BC 500055		SHEET 1 OF 1	ITEM -
SCALE 1:20				REV. -	



NOTE: WIRE THE NUMBER OF SOLENOID PER PROVIDED UNIT. SHOWN WITH THE MAXIMUM NUMBER OF SOLENOID WIRED.

THIS DRAWING IS CONFIDENTIAL PROPERTY OF ENGINEERING FIRM. DO NOT DUPLICATE IN ANY TYPE WITHOUT PROPER WRITTEN PERMISSION. IF YOU ARE NOT THE INTENDED CLIENT PLEASE DESTROY THIS DOCUMENT.			DUST COLLECTOR BLOWER PACKAGE 480VAC, 3 PHASE - 30 HP WITH DUST COLLECTOR TIMER CONTROLLER		
REV.	DESCRIPTION	DATE	FILE PATH: c:\clients\	CLIENT	PLOT DATE: 01/01/04
1	CREATED	7/28/08		AVANI ENVIRONMENTAL	DRAWING NUMBER 30 HP 100
			DRAWN BY: ECS	DRAWING SCALE NONE	PROJECT NUMBER
			DATE: 7/28/08		
			CHECKED BY: ECS		
			DATE: 7/28/08		