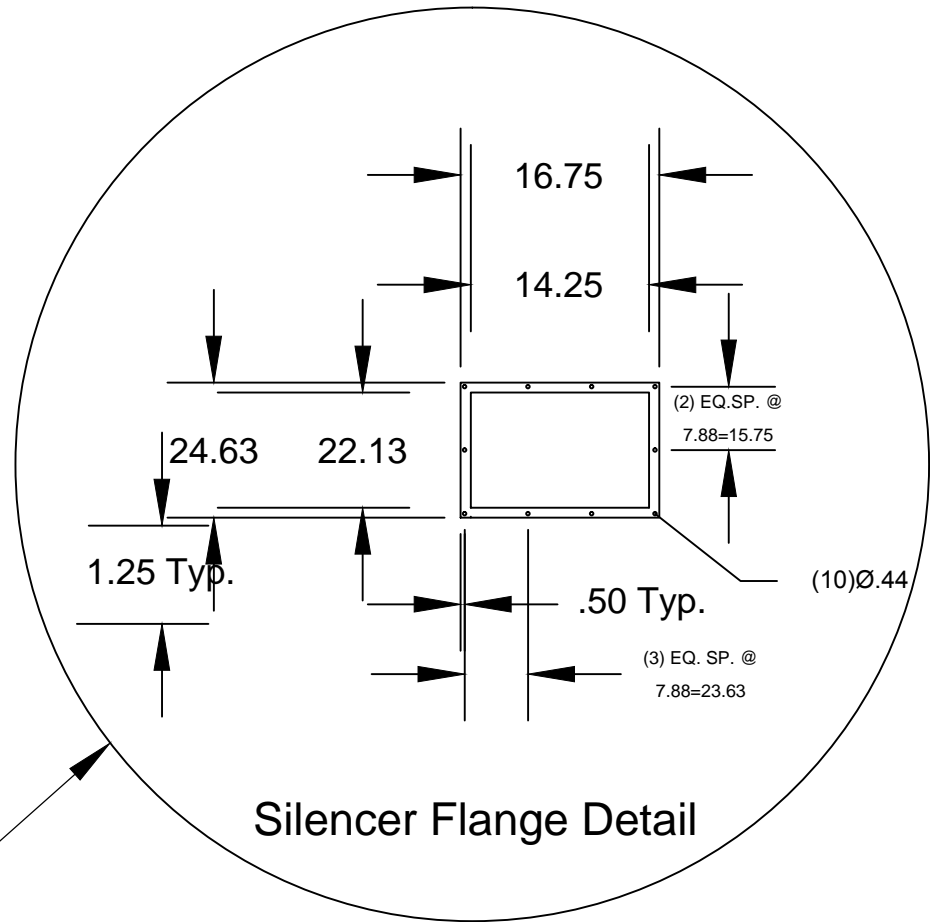
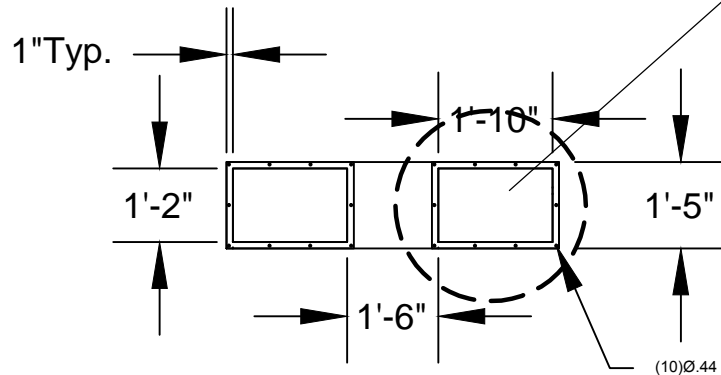


Plan View



Silencer Flange Detail



Silencer Connection

PRELIMINARY

This product has not been tested for seismic calculations.

Avani Environmental Intl. Inc.
95 Cypress Drive
Youngsville, NC 27596
P# 919-570-2862 F# 919-570-2863

Avani

Project:Local 92

Drawing:

Date: 4/22/15

Drawn by:DJT

Sheet No:

Rev 0