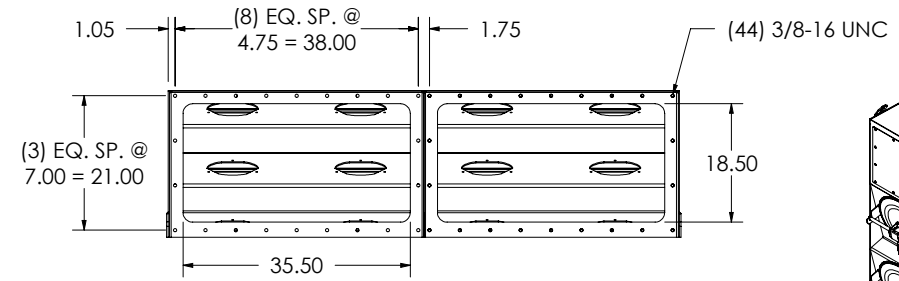
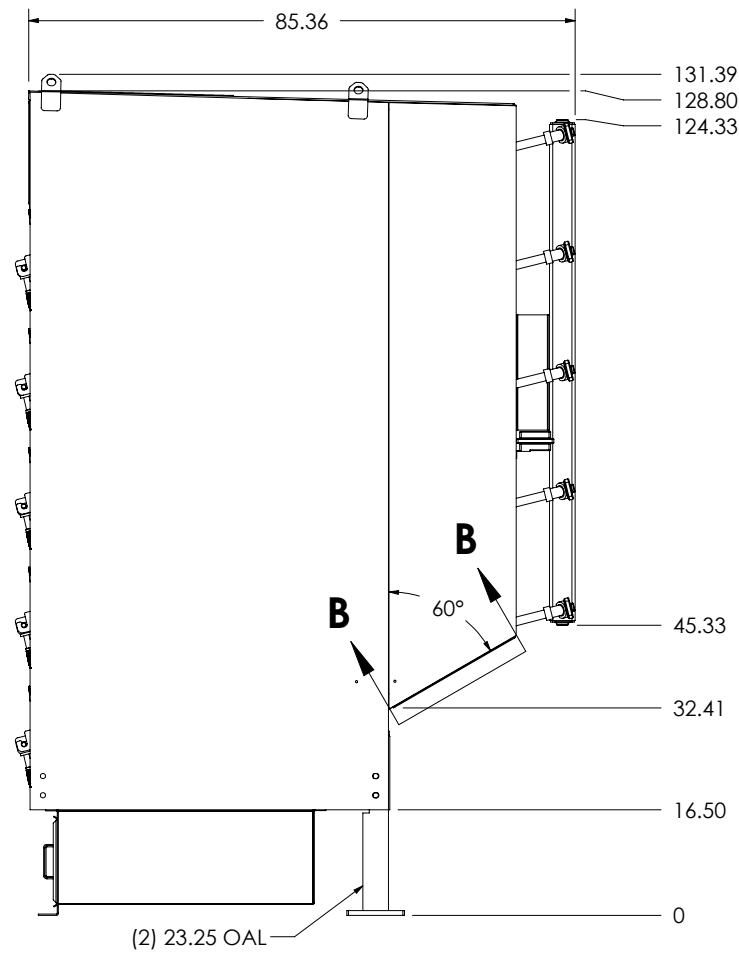
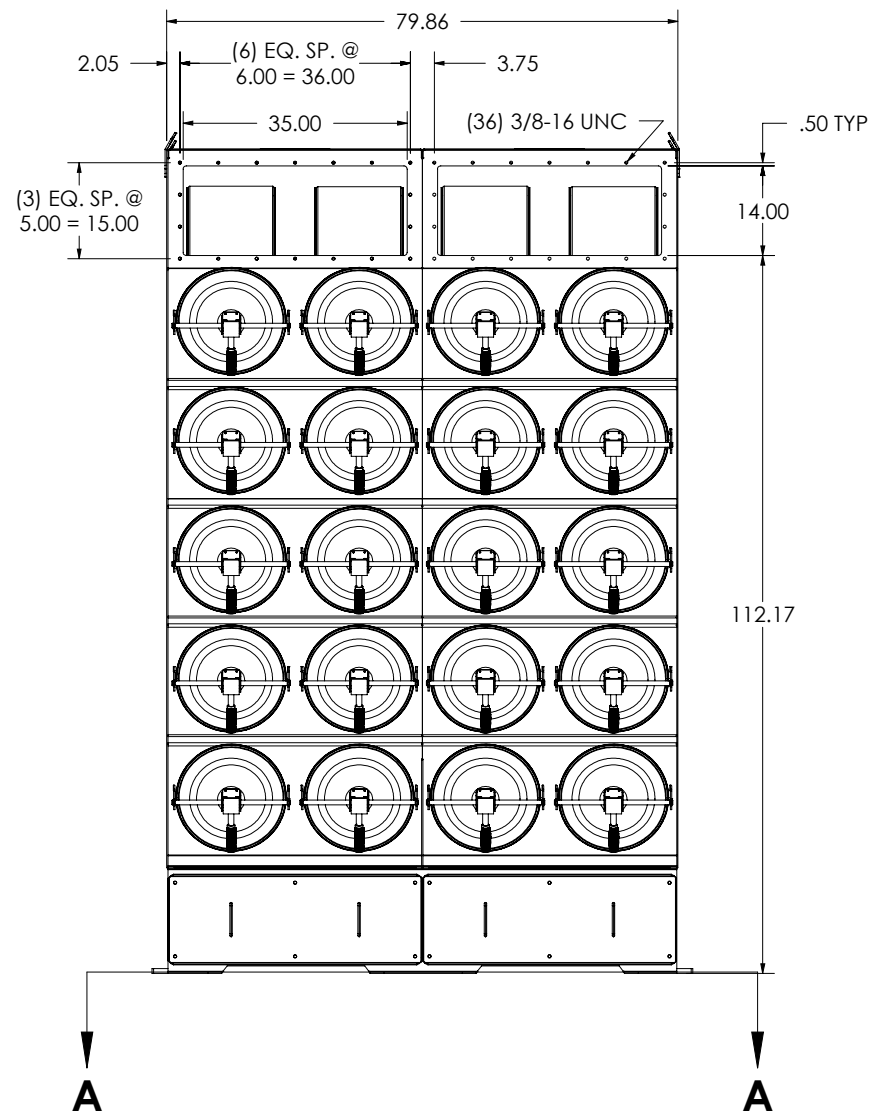
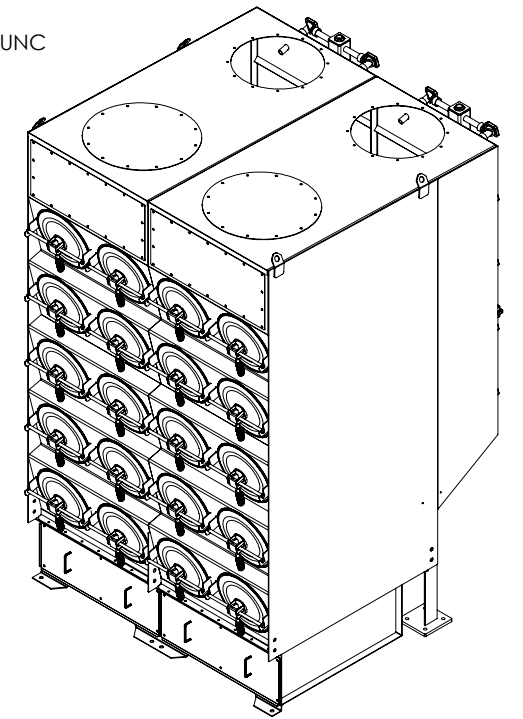


SECTION A-A



SECTION B-B




ACCESSORIES:

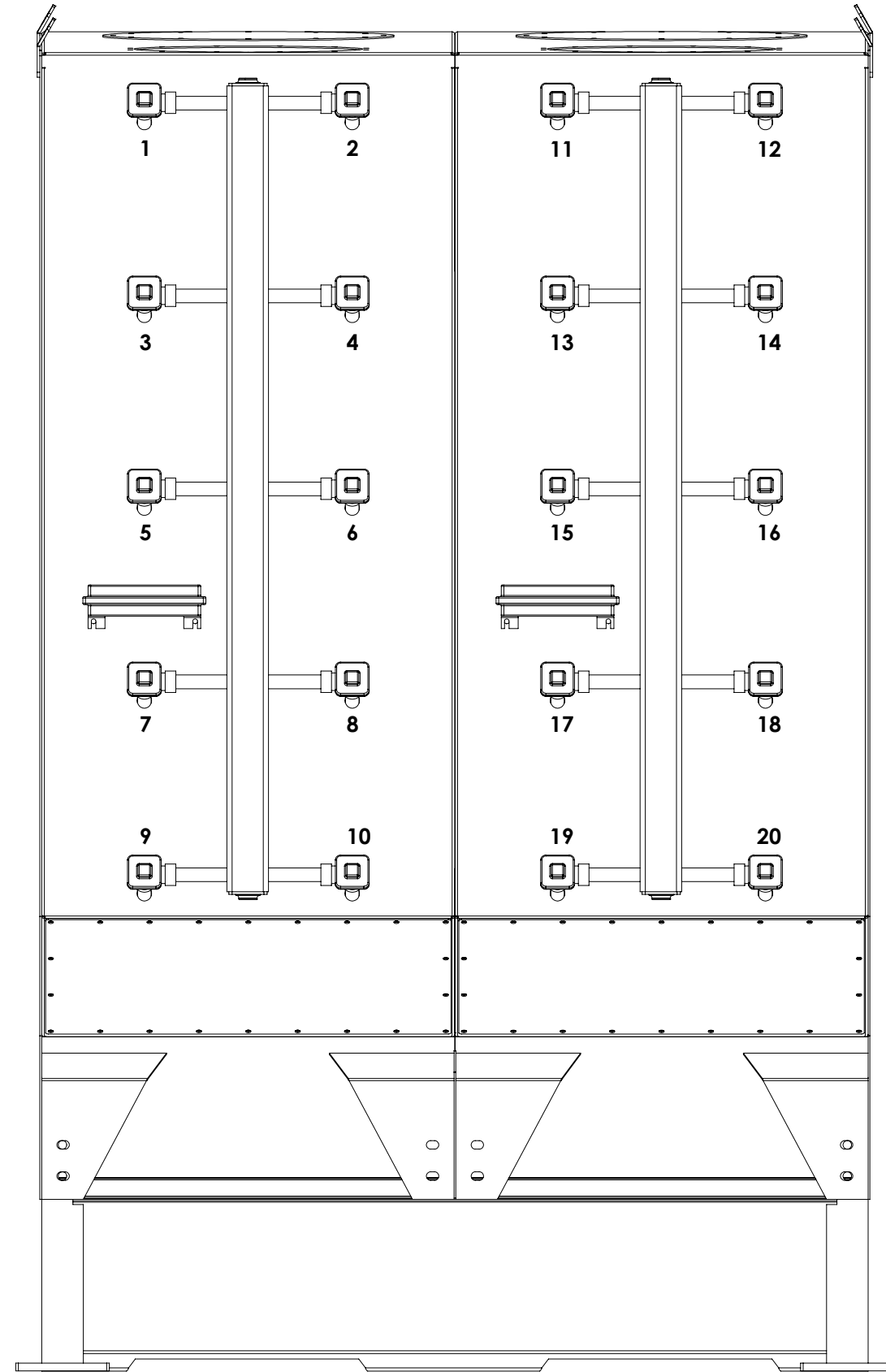
1. FAN BLOWER: (2 QTY) TCF TCBI 30
2. ALL-IN-ONE CONTROLS (30HP/460V)
3. (2) FAN OUTLET SILENCER
4. (2) BUILT-IN FAN OUTLET DAMPER

NOTES:


1. DUST COLLECTOR WT: 5050 LBS

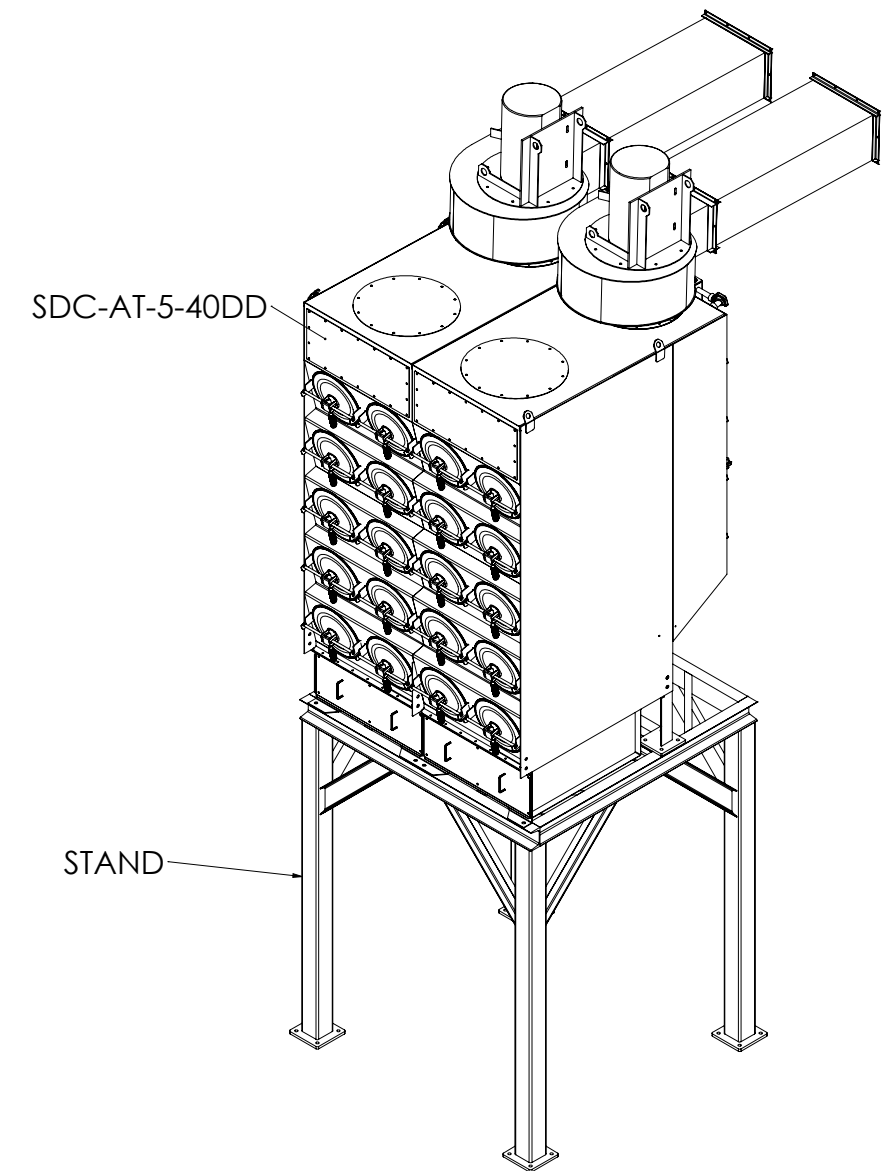
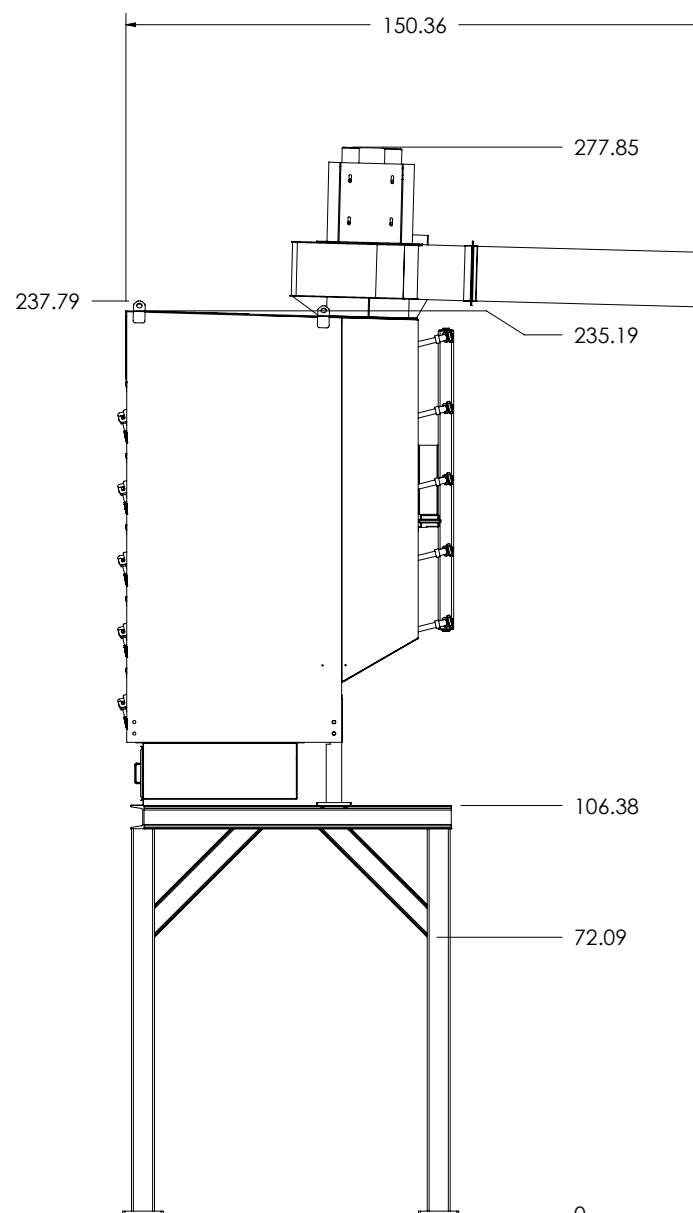
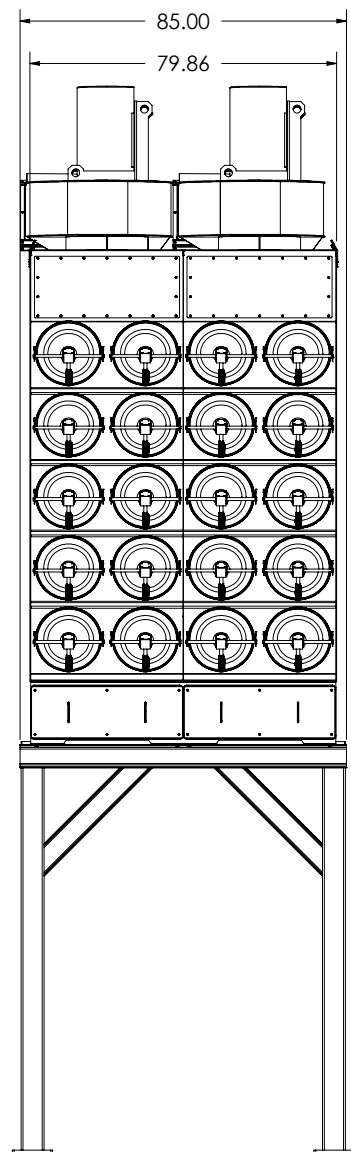
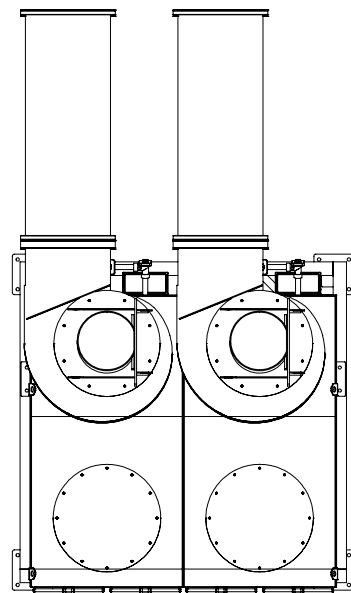
REV	ECN	DATE	BY	CHK	DESCRIPTION
-	-	-	-	-	-
					
95 Cypress Dr. Youngsville, NC 27597 Phone: 919-570-2862 www.avanienvironmental.com					
TITLE					
SDC-AT-5-40 DD					
DRAWING NO.					
BC 15753-001					
SHEET		ITEM		REV.	
1 OF 2		-		-	

DRAWN BY	JX
DATE	3/4/15
CHKD BY	-
DATE	-
SHOP NO.	-
SCALE	1:30



DRAWN BY	JX
DATE	3/4/15
CHKD BY	-
DATE	-
SHOP NO.	-
SCALE	1:15

REV	ECN	DATE	BY	CHK	DESCRIPTION
-	-	-	-	-	-
 95 Cypress Dr. Youngsville, NC 27597 Phone: 919-570-2862 www.avanienvironmental.com					
TITLE					
SDC-AT-5-40 DD					
DIAPHRAGM VALVE LOCATIONS					
DRAWING NO.		SHEET	ITEM	REV.	
BC 15753-001		2 OF 2	-	-	



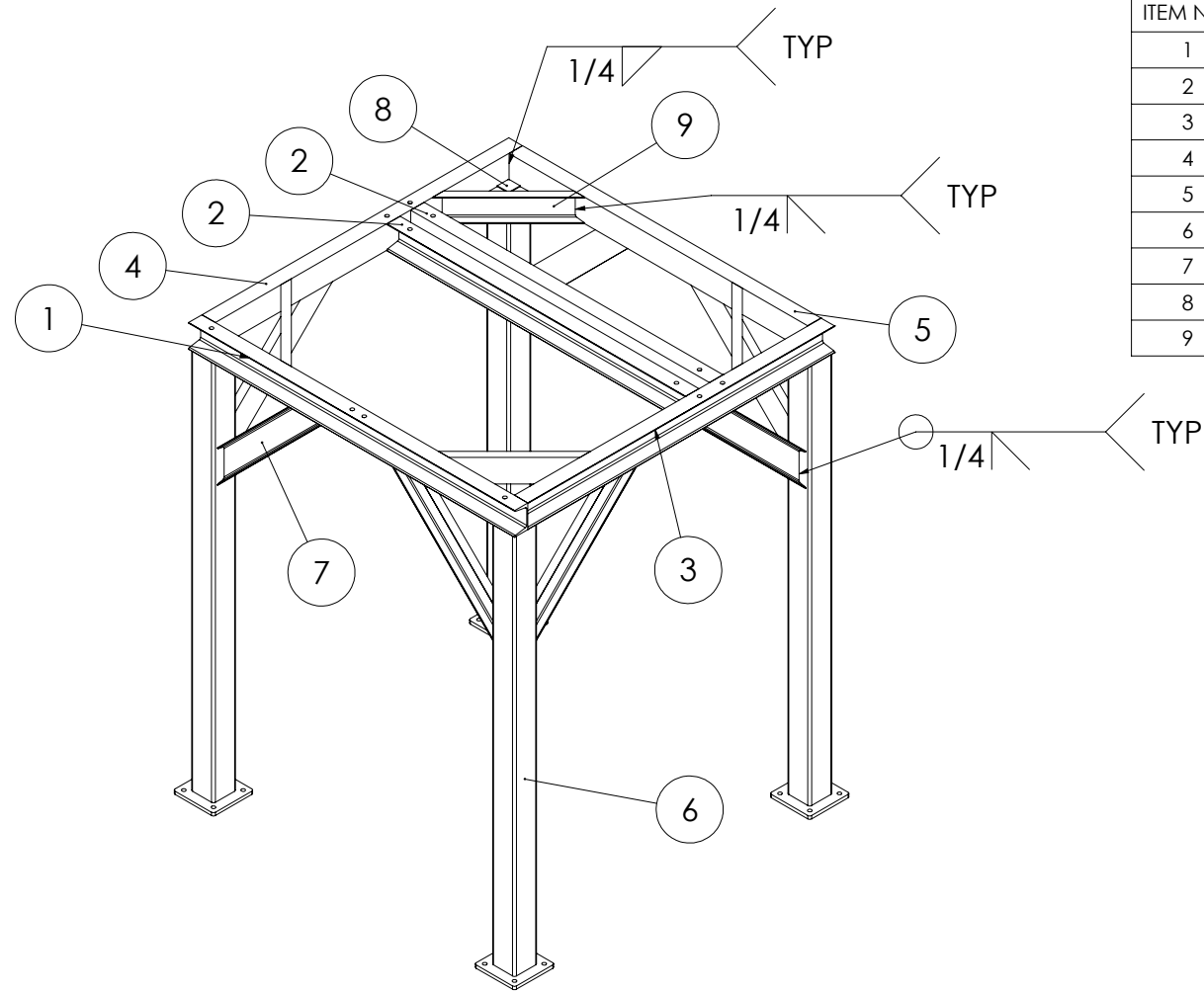
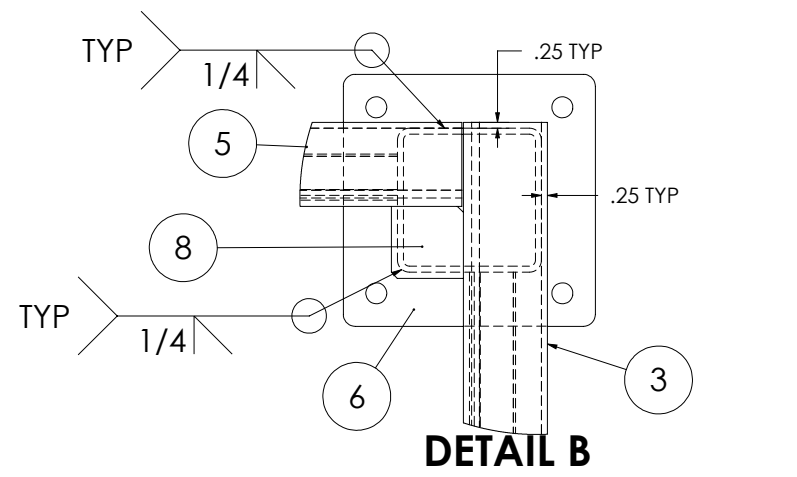
REV	ECN	DATE	BY	CHK	DESCRIPTION
A	-	4/13/15	JX	-	INCREASED STAND HT ADDED CHANNEL GUSSETS

avani
environmental®

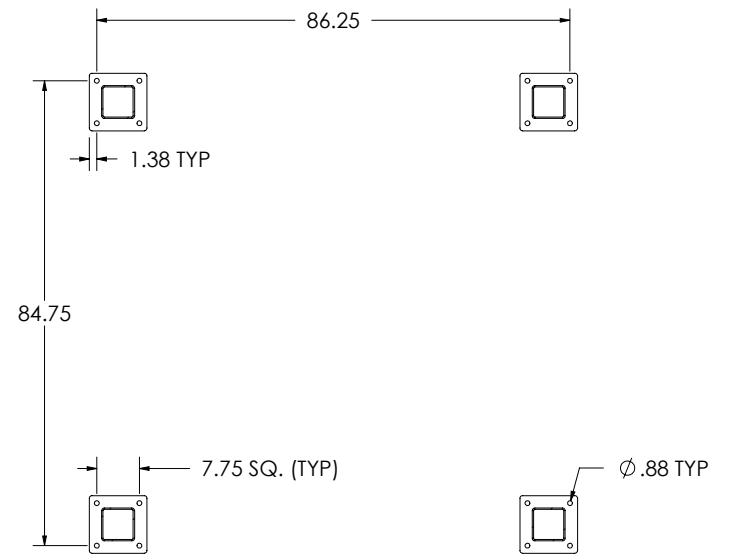
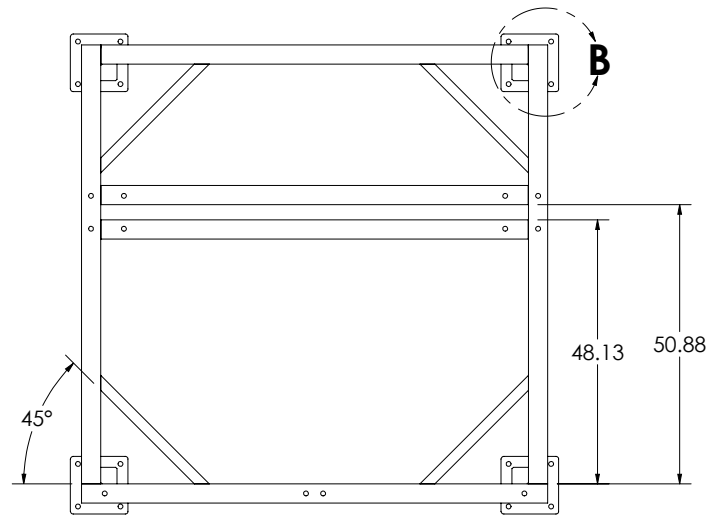
95 Cypress Dr.
Youngsville, NC 27597
Phone: 919-570-2862
www.avanienvironmental.com

DRAWN BY	JX
DATE	3/16/15
CHKD BY	-
DATE	-
SHOP NO.	-
SCALE	1:50

TITLE				
SDC-AT-5-40DD STAND				
GENERAL ASSEMBLY				
DRAWING NO.	SHEET	ITEM	REV.	
BC 15753-002-00	1 OF 3	-	A	



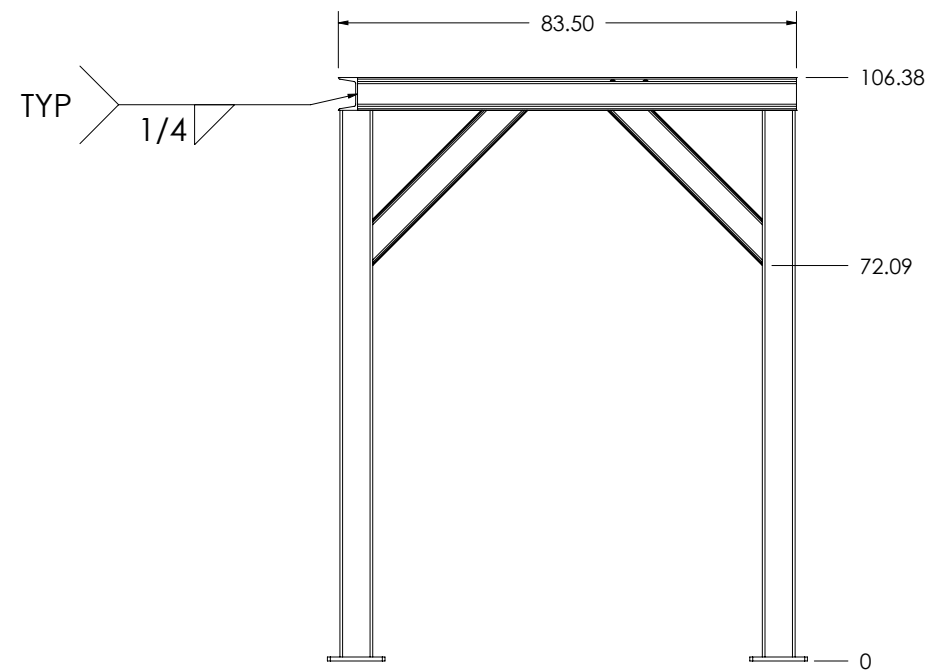
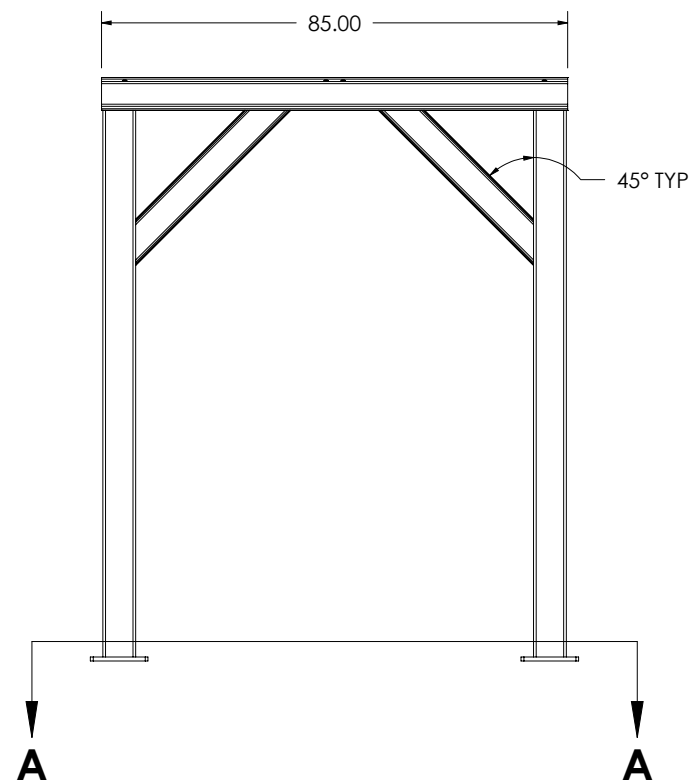
ITEM NO.	PART NUMBER	DESCRIPTION	QTY.
1	15753-002-01	MC 6X15.3 - 85.00 LONG	1
2	15753-002-02	MC 6X15.3 - 77.88 LONG	2
3	15753-002-03	MC 6X15.3 - 80.00 LONG	1
4	15753-002-04	MC 6X15.3 - 80.00 LONG	1
5	15753-002-05	MC 6X15.3 - 77.88 LONG	1
6	15753-002-09	LEG ASSEMBLY - 100.38 LONG	4
7	15753-002-07	C 6X8.2 - 40.00 LONG	8
8	15753-002-10	END CAP - 3.00X3.00X 7 GA	4
9	15753-002-11	C 6X8.2 - 28.00 LONG	4



SECTION A-A

NOTES:

- MATERIAL: A36 OR EQUIVALENT



REV	ECN	DATE	BY	CHK	DESCRIPTION
A	-	4/13/15	JX	-	INCREASED STAND HT ADDED CHANNEL GUSSETS

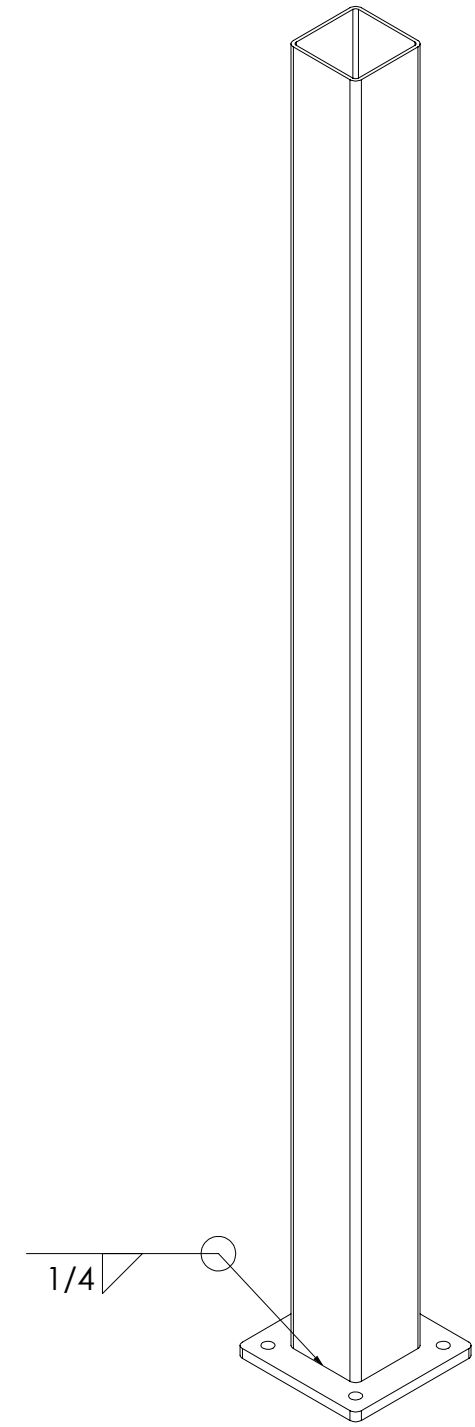
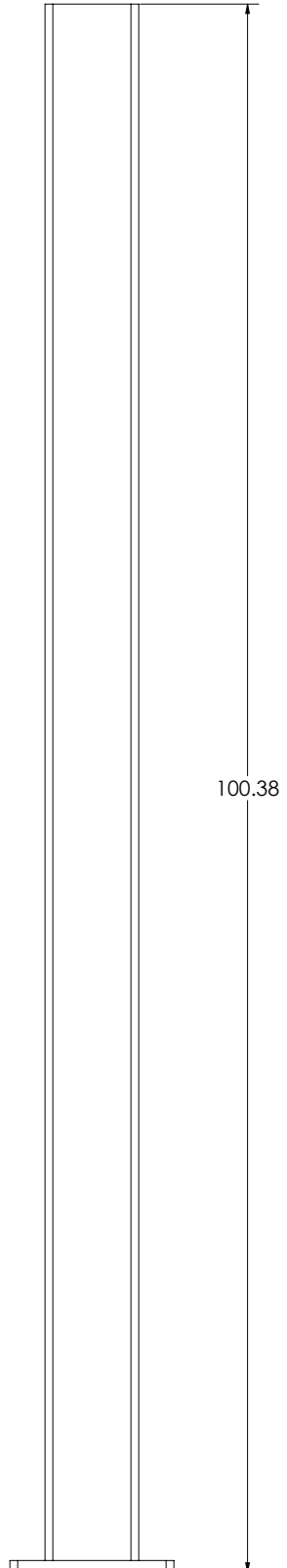
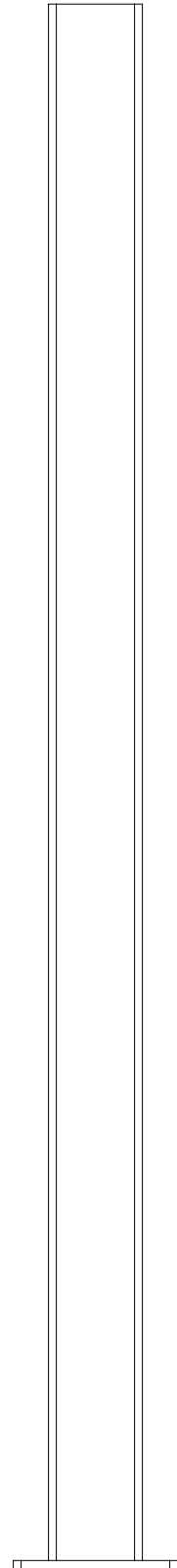
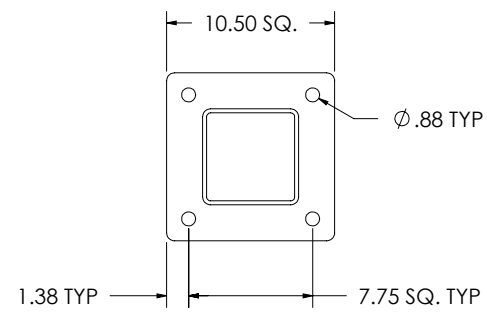


95 Cypress Dr.
Youngsville, NC 27597
Phone: 919-570-2862
www.avanienvironmental.com


DRAWN BY	JX
DATE	3/16/15
CHKD BY	-
DATE	-
SHOP NO.	-
SCALE	1:35

TITLE	SDC-AT-5-40DD STAND			
DRAWING NO.	SHEET	ITEM	REV.	
BC 15753-002-00	2 OF 3	-	A	

ITEM NO.	PART NUMBER	DESCRIPTION	QTY.
1	15753-002-06	SQ. TUBING - 5.00X5.00X0.25 (99.63 LONG)	1
2	15753-002-08	LEG BASE PLATE - 10.50X10.50X0.75	1

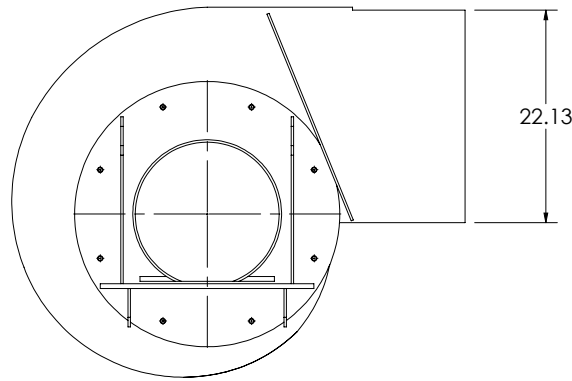


REV	ECN	DATE	BY	CHK	DESCRIPTION
A	-	4/13/15	JX	-	INCREASED STAND HT ADDED CHANNEL GUSSETS

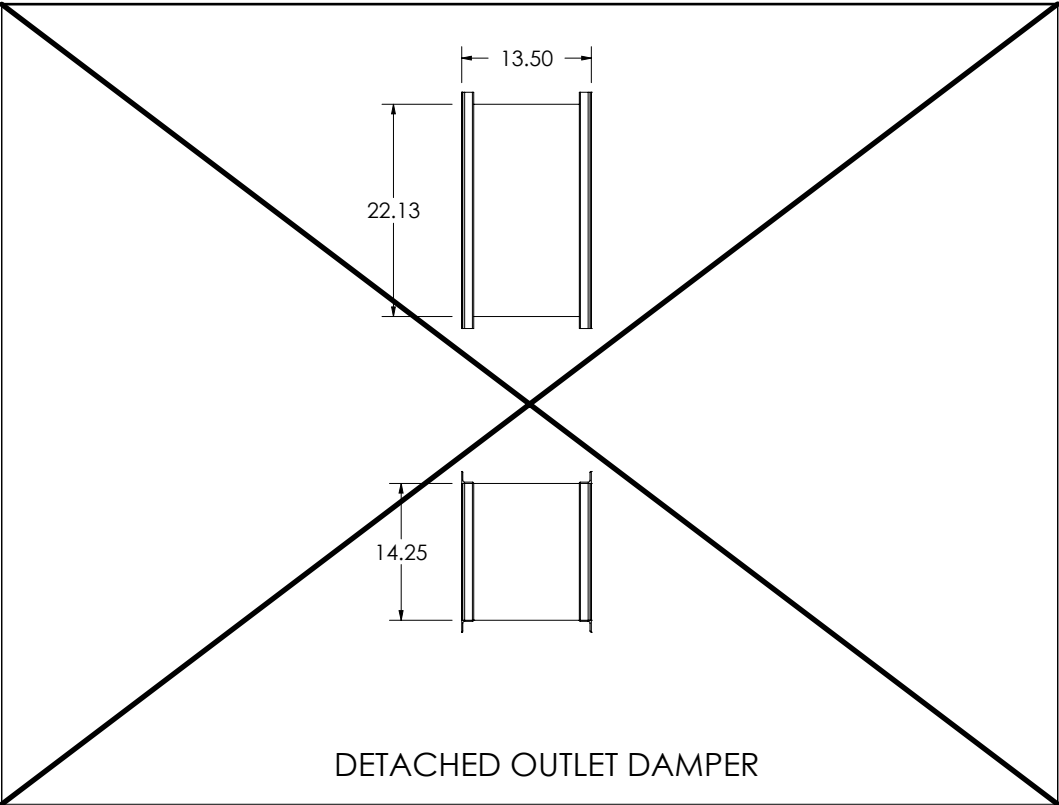

95 Cypress Dr.
Youngsville, NC 27597
Phone: 919-570-2862
www.avanienvironmental.com

DRAWN BY	JX
DATE	3/16/15
CHKD BY	-
DATE	-
SHOP NO.	-
SCALE	1:12

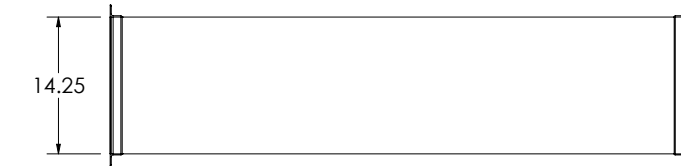
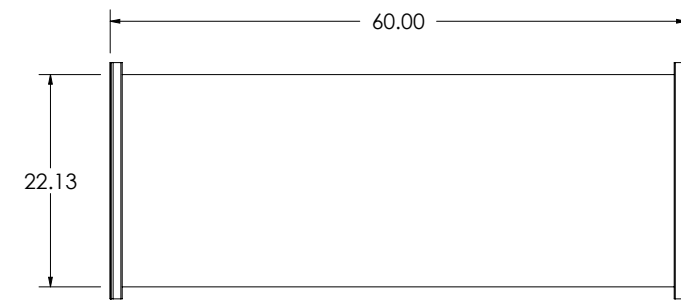
TITLE				
SDC-AT-5-40DD STAND LEG ASSEMBLY				
DRAWING NO.	SHEET	ITEM	REV.	
BC 15753-002-09	3 OF 3	-	A	



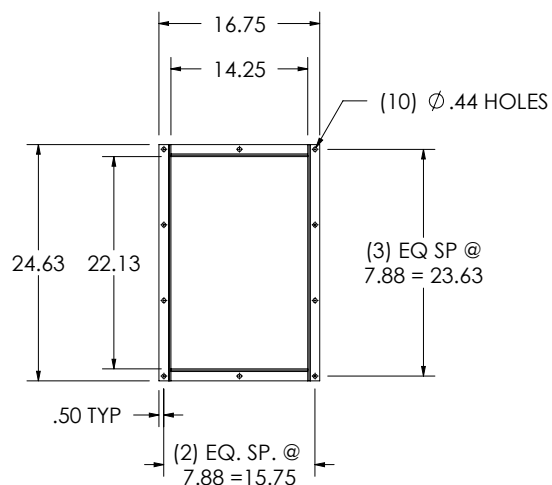
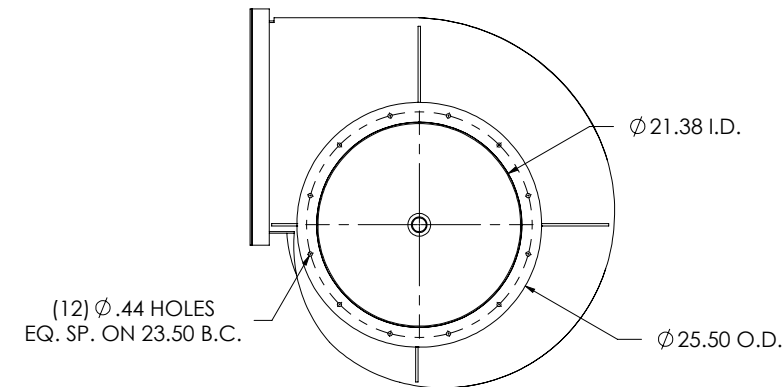
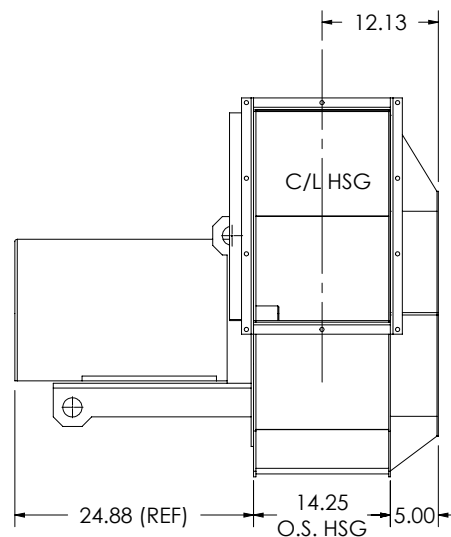
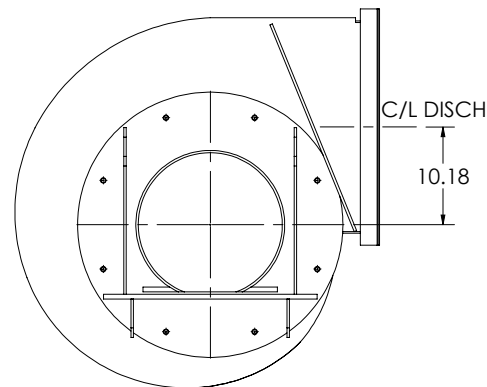
BUILT-IN DAMPER



DETACHED OUTLET DAMPER



OUTLET SILENCER



FLANGE DETAIL

NOTES:
1. "CW" ROTATION SHOWN. "CCW" ROTATION SIMILAR BUT OPPOSITE.

THE INFORMATION SHOWN ON THIS DRAWING IS THE EXCLUSIVE PROPERTY OF AVANI ENVIRONMENTAL. IT IS NOT TO BE USED FOR ANY PURPOSE OR ITS CONTENTS DISCLOSED WITHOUT OUR WRITTEN CONSENT.

DESCRIPTION	APPROX. WT (LBS)
FAN	880
DAMPER	93
SILENCER	145
BUILT-IN DAMPER	TBD

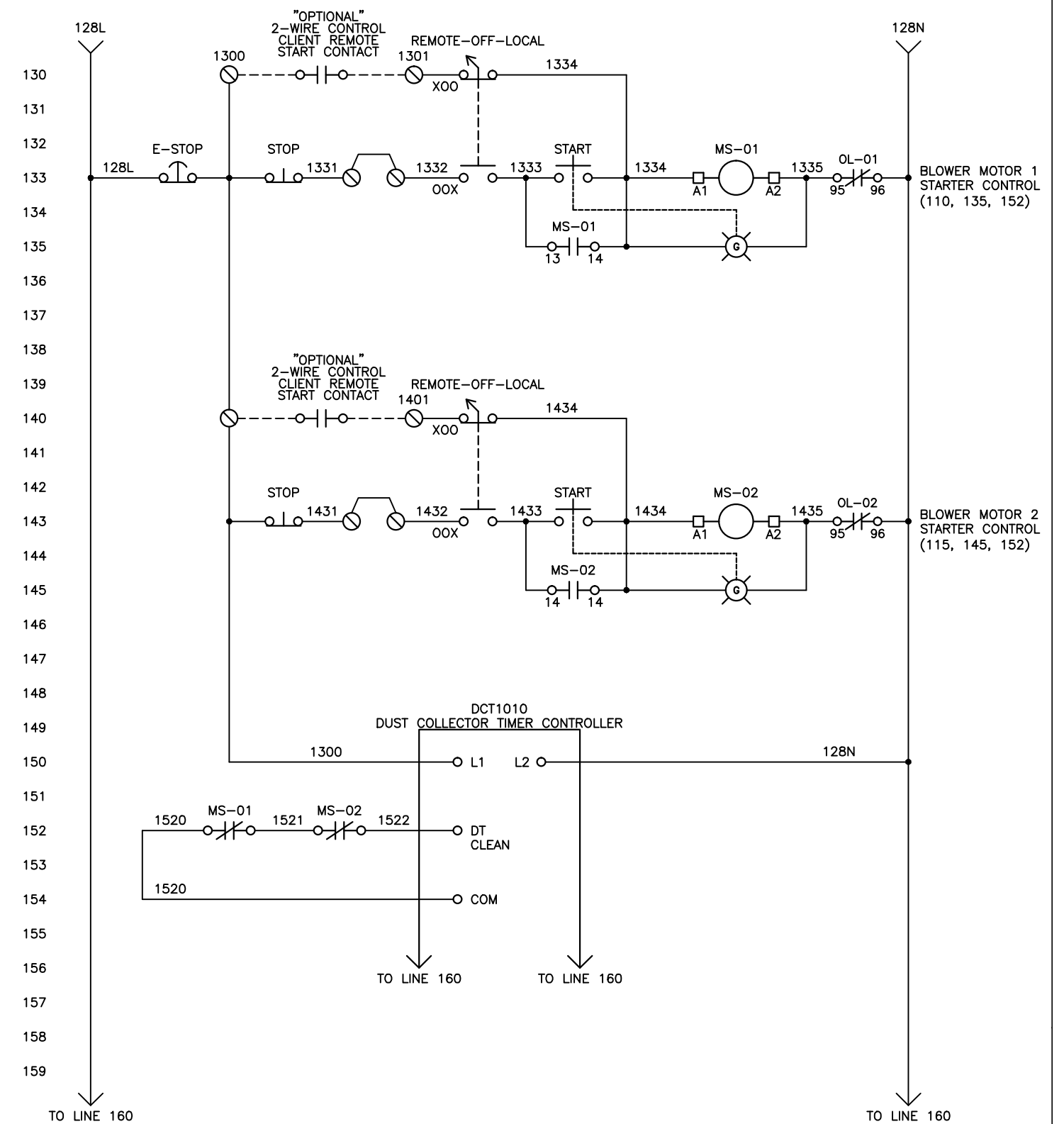
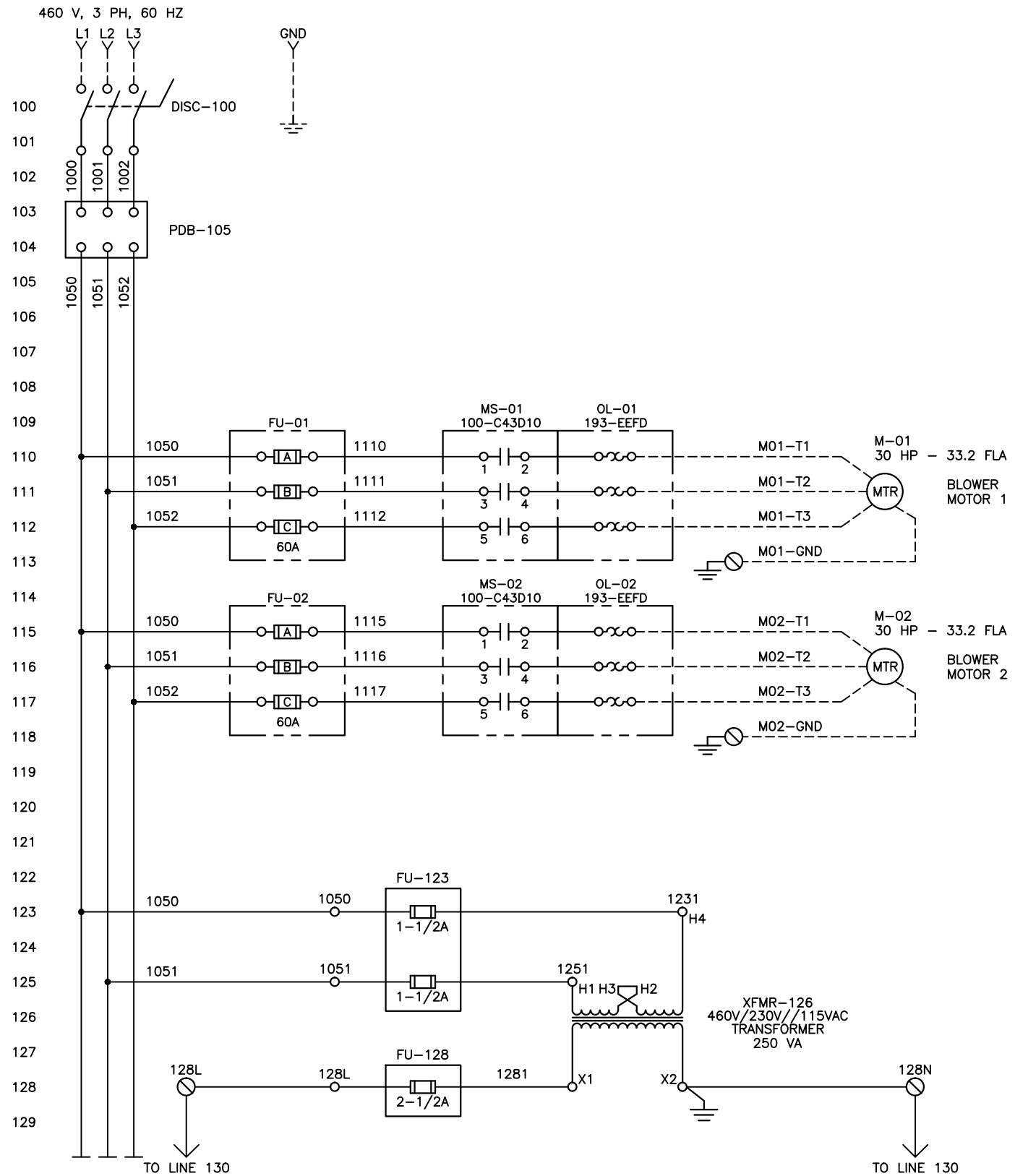
REV	ECN	DATE	BY	CHK	DESCRIPTION
A	-	3/17/15	JX	-	ADD WEIGHTS

avani
environmental®

95 Cypress Dr.
Youngsville, NC 27597
Phone: 919-570-2862
www.avanienvironmental.com

DRAWN BY	JX
DATE	7/25/13
CHKD BY	JX
DATE	7/25/13
SHOP NO.	15753
SCALE	1:20

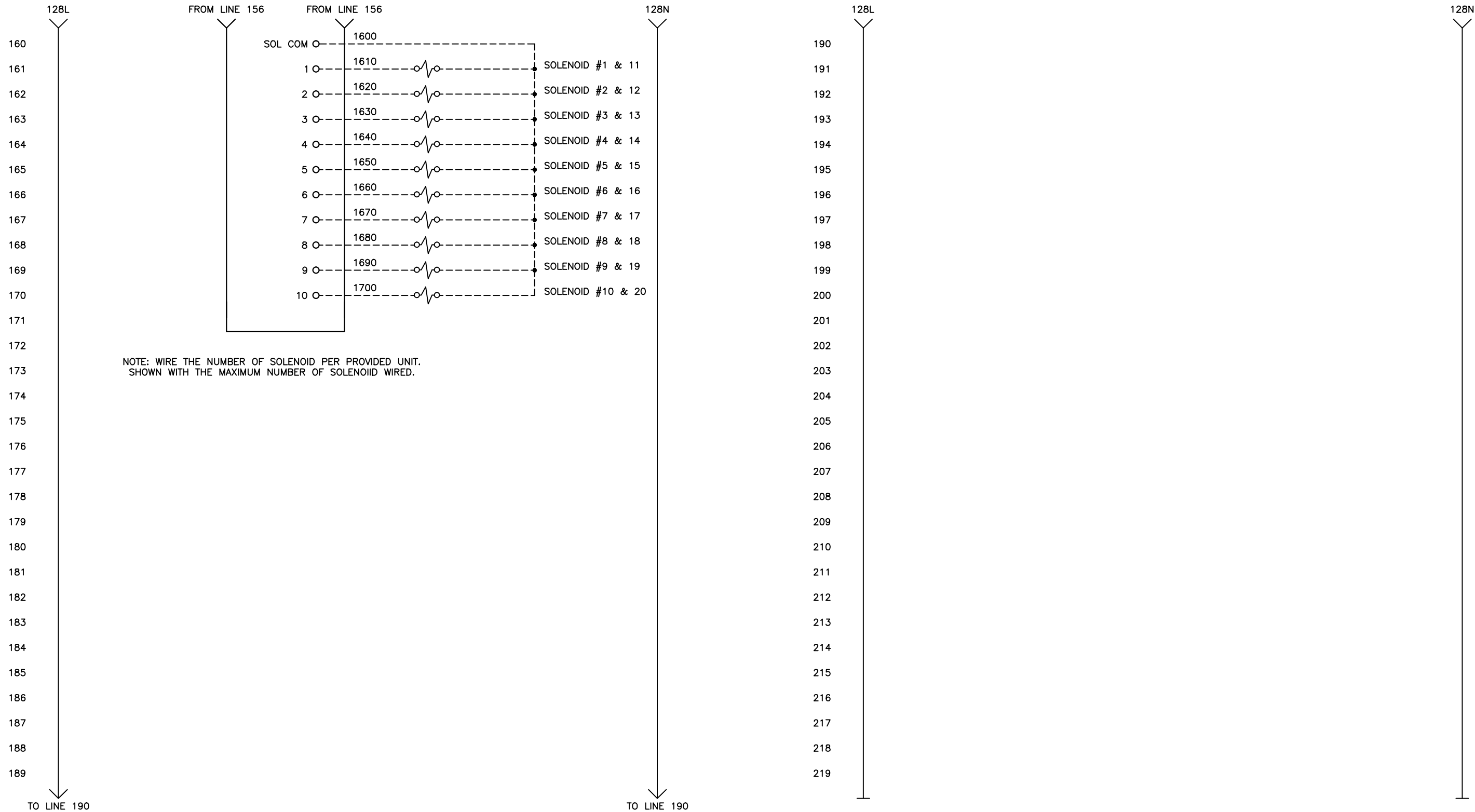
TOLERANCES UNLESS OTHERWISE SPECIFIED	
DECIMALS: .X ± .05 .XX ± .010 .XXX ± .005	
FRACTIONS: ± 1/64	
ANGULAR: ± 1 DEG	
ALL DIMENSIONS IN INCHES UNLESS OTHERWISE SPECIFIED	
TITLE	TCF 30 TCBI FAN W/ ACCESSORIES
DRAWING NO.	BC 500055
SHEET	1 OF 1
ITEM	-
REV.	A



DUST COLLECTOR BLOWER PACKAGE
460VAC, 3 PHASE - 2 X 30 HP FVNR
WITH DUST COLLECTOR TIMER CONTROLLER

THIS DRAWING IS CONFIDENTIAL PROPERTY OF ENGINEERING FIRM. DO NOT DUPLICATE IN ANY TYPE WITHOUT PROPER WRITTEN PERMISSION. IF YOU ARE NOT THE INTENDED CLIENT PLEASE DESTROY THIS DOCUMENT.			FILE PATH: C:\Clients\	CLIENT: AVANI	PROJECT NUMBER: 12357
REV.	DESCRIPTION	DATE	DRAWN BY: CCI	DATE: 9/3/14	DRAWING SCALE: NONE
1	CREATED	9/3/14	CHECKED BY: CCI	DATE: 9/3/14	DRAWING NUMBER: 2X30HP FVNR 460VAC-1
2	AS-BUILT	11/15/14			

DCT1010
DUST COLLECTOR TIMER CONTROLLER
CONTINUED



NOTE: WIRE THE NUMBER OF SOLENOID PER PROVIDED UNIT.
SHOWN WITH THE MAXIMUM NUMBER OF SOLENOIID WIRED.

THIS DRAWINGS IS CONFIDENTIAL PROPERTY OF ENGINEERING FIRM DO NOT DUPLICATE IN AN TYPE WITHOUT PROPER WRITTEN PERMISSION. IF YOU ARE NOT THE INTENDED CLIENT PLEASE DESTORY THIS DOCUMENT.			DUST COLLECTOR BLOWER PACKAGE 460VAC, 3 PHASE - 2 X 30 HP FVNR WITH DUST COLLECTOR TIMER CONTROLLER			
REV.	DESCRIPTION	DATE	FILE PATH: C:/Clients/	PLOT DATE: 6/8/13		
1	CREATED	9/3/14				
2	AS-BUILT	11/15/14	DRAWN BY: CCI	DATE: 9/3/14	DRAWING SCALE: NONE	
			CHECKED BY: CCI	DATE: 9/3/14	CLIENT AVANI	
				PROJECT NUMBER 12357	DRAWING NUMBER 2X30HP FVNR 460VAC-2	