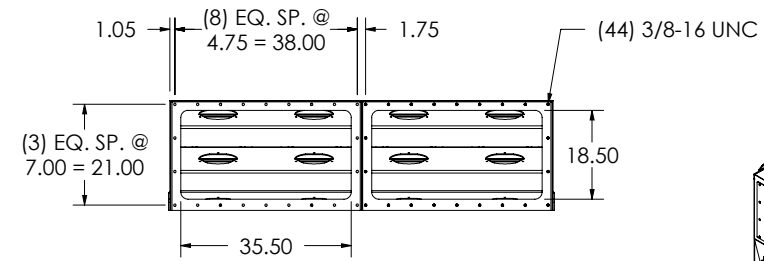
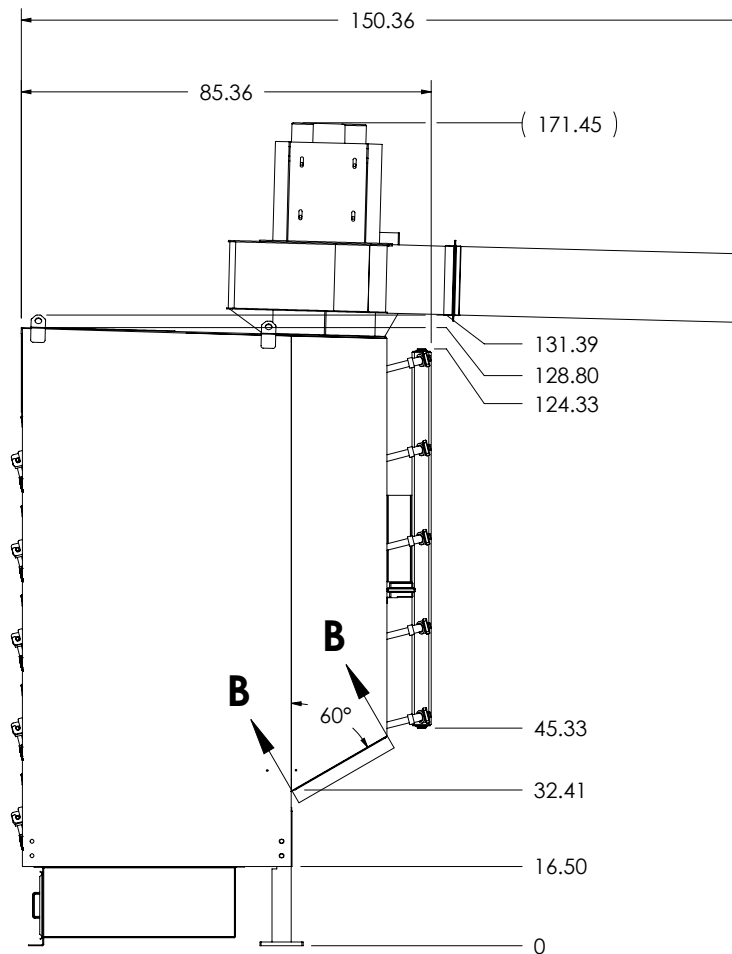
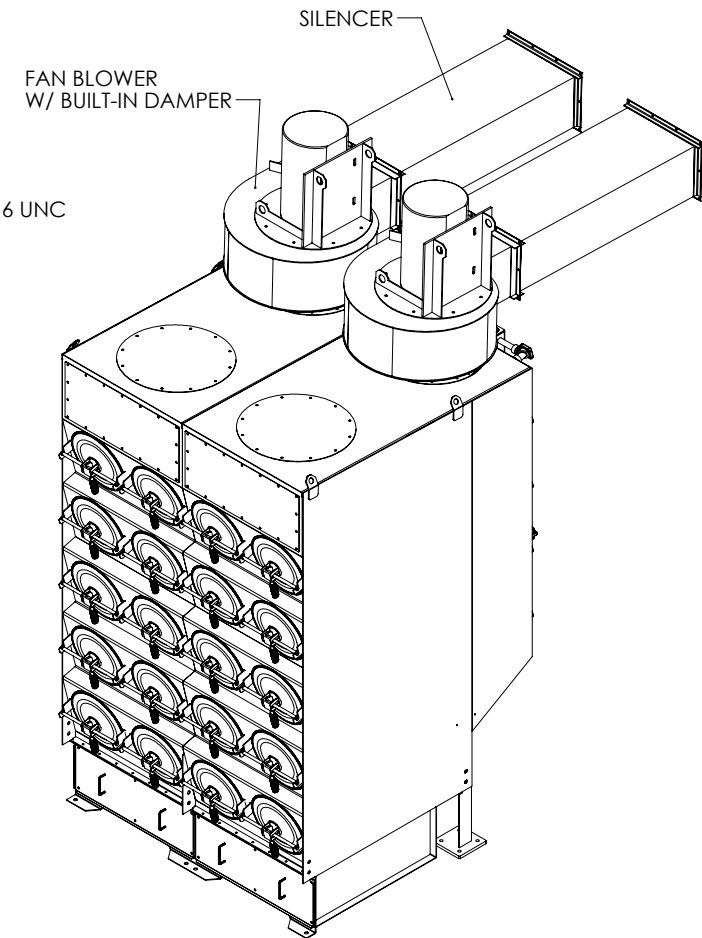


SECTION A-A



SECTION B-B



ACCESSORIES:

1. FAN BLOWER: (2 QTY) TCF TCBI 30
2. ALL-IN-ONE CONTROLS (30HP/460V)
3. FAN OUTLET SILENCER
4. BUILT-IN OUTLET DAMPER

NOTES:

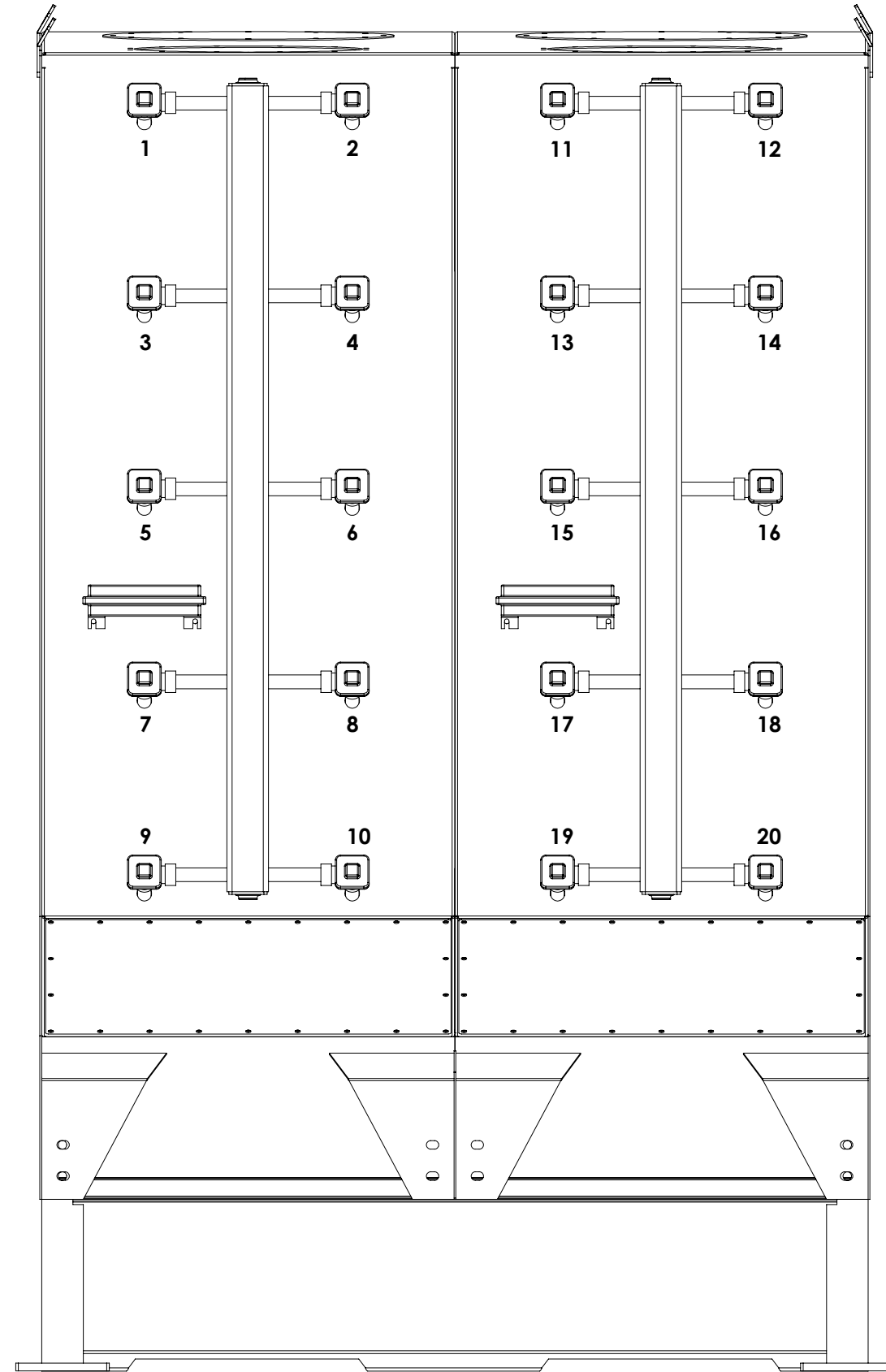
1. SILENCER TO BE SUPPORTED BY OTHERS.

A	-	3/19/15	JX	-	SHOWN WITH ACC.
REV	ECN	DATE	BY	CHK	DESCRIPTION


**95 Cypress Dr.
 Youngsville, NC 27597
 Phone: 919-570-2862
 www.avanienvironmental.com**

DRAWING NO.		SHEET	ITEM	REV.
BC 15672-001		1 OF 2	-	A

DRAWN BY	JX
DATE	9/5/14
CHKD BY	-
DATE	-
SHOP NO.	-
SCALE	1:40



REV	ECN	DATE	BY	CHK	DESCRIPTION
A	-	3/19/15	JX	-	SHOWN WITH ACC.


95 Cypress Dr.
Youngsville, NC 27597
Phone: 919-570-2862
www.avanienvironmental.com

DRAWN BY	JX
DATE	9/5/14
CHKD BY	-
DATE	-
SHOP NO.	-
SCALE	1:15

TITLE				
SDC-AT-5-40 DD				
DIAPHRAGM VALVE LOCATIONS				
DRAWING NO.	SHEET	ITEM	REV.	
BC 15672-001	2 OF 2	-	A	