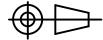


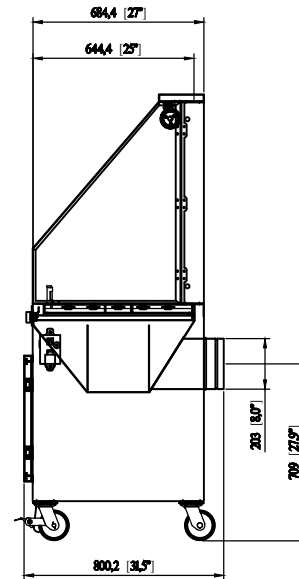
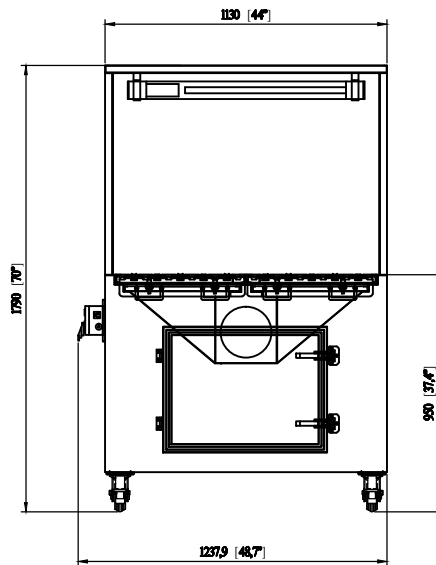
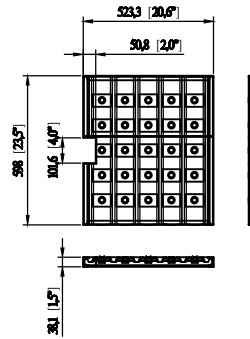
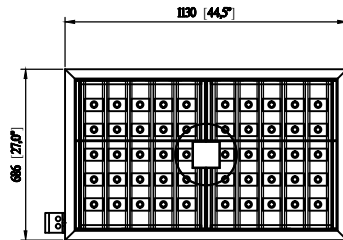
DO NOT SCALE

IF IN DOUBT ASK



Revisions

Rev	Description	Date	Approved
-----	-------------	------	----------



- SDT-BE1.5 Downdraft table SPECIFICATION -

- Motor: N/A
- Filtration Stages: N/A
- Outlet: Dia. 8" (203mm) x 1
- Dimension: 48.7" x 31.5" x 74.8"  
(1237.9 x 800.2 x 1901mm)
- Construction: 14 Gauge
- Max. Operating Temp.: 120°C
- Paint Color: powder coated Blue
- fully assembled
- paint color: powder coated Blue
- \*\*\*Electrical Outlets: (2) 110V Outlets @ (1) Switch
- \*\*\*Light Switch: (1) For overhead lights
- \*\*\*Overhead Lights: (1) Explosion Proof Lights  
(110V, Single Phase, 60 Hz, 20W, non-recessed)
- \*\*\*100% downdraft
- \*\*\*full grated table top with dia. 16mm fixture holes drilled
- \*\*\*casters underneath the machine

AVANI ENVIRONMENTAL INTL. INC. Sales Department  
 95 Cypress Drive (919) 570-2862  
 Youngsville, NC 27596 info@avanienvironmental.com

Drawn by:	Date	Name	Part Number:	Title:	
Checked by:	2014.07.14	***	Bloom Energy	SDT-BE1.5	
The drawings, AutoCAD, 3-D Models, and specifications are the property of Avani Environmental Intl. Inc. (AE) and may not be reproduced, distributed, modified, or otherwise used, except provided herein, without the express written permission of AE.			Size	Scale	Drawing Number:
			D	1 = 25	***