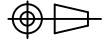


DO NOT SCALE

IF IN DOUBT ASK



Revisions

Rev	Description	Date	Approved
-----	-------------	------	----------

- SDT-8x3-D Downdraft table w/Drawers SPECIFICATION -

- Motor: N/A

- Filtration Stages: N/A

- Outlet: Dia. 8" (203mm) x 2

- Dimension: 76" x 47" x 70"
(1925 x 1204 x 1790mm)

- Construction: 14 Gauge

- Max. Operating Temp.: 120°C

- Paint Color: powder coated Blue

- fully assembled

- paint color: powder coated Blue

- pressure equalizer for plastic bag inside collection drawers

***Electrical Outlets: (2) 110V Outlets @ (1) Switch

***Light Switch: (1) For overhead lights

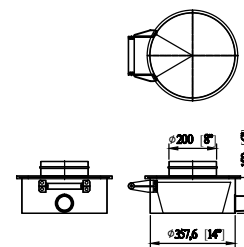
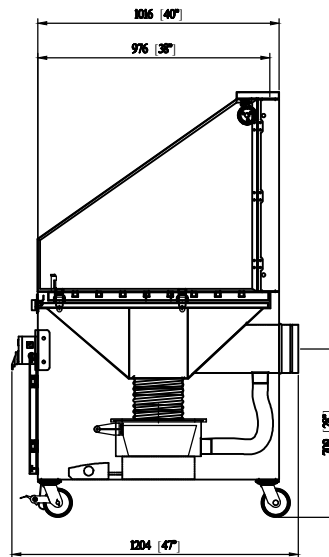
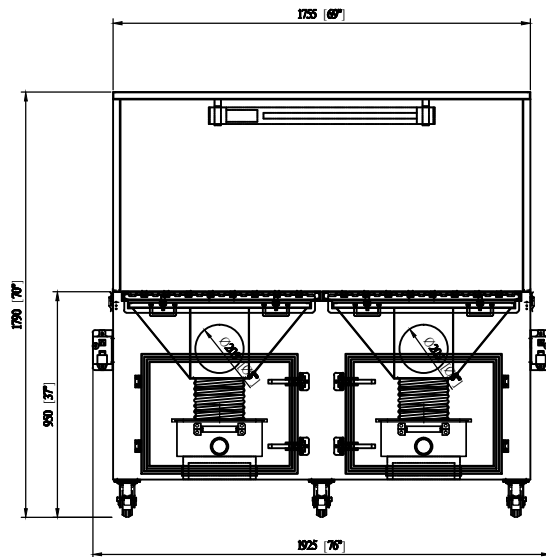
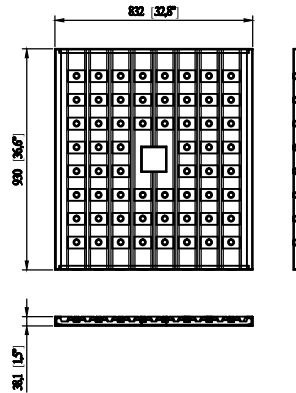
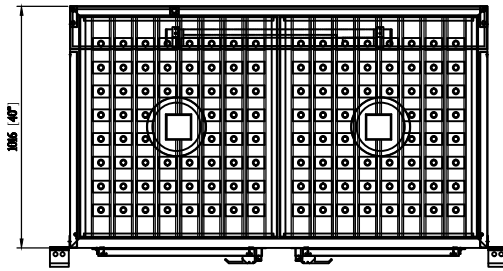
***Overhead Lights: (1) Explosion Proof Lights

(110V, Single Phase, 60 Hz, 20W, non-recessed)

***100% downdraft

***full grated table top with dia. 16mm fixture holes drilled

***casters underneath the machine



*w/Pressure equalizer for plastic bag in collection drawer

AVANI ENVIRONMENTAL INTL. INC. Sales Department
 95 Cypress Drive (919) 570-2862
 Youngsville, NC 27596 info@avanienvironmental.com

Drawn by:	Date: 2014.07.14	Name: ***	Part Number:	Title: SDT-8x3-D with collection drawer	
Checked by:			Bloom Energy	Size: D	Scale: 1 = 25
The drawings, AutoCAD, 3-D Models, and specifications are the property of Avani Environmental Intl. Inc. (AE) and may not be reproduced, distributed, modified, or otherwise used, except provided herein, without the express written permission of AE.				Drawing Number:	***