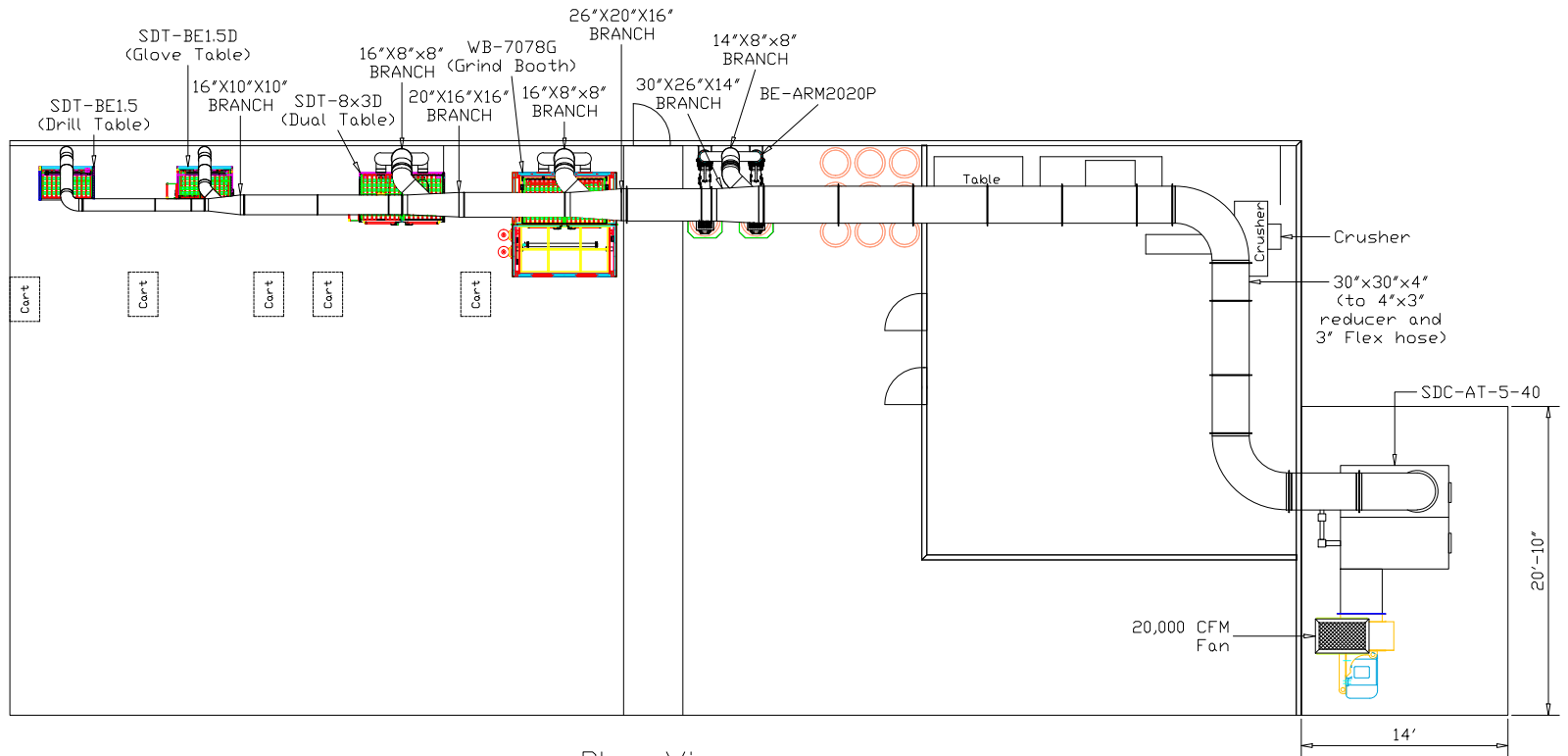


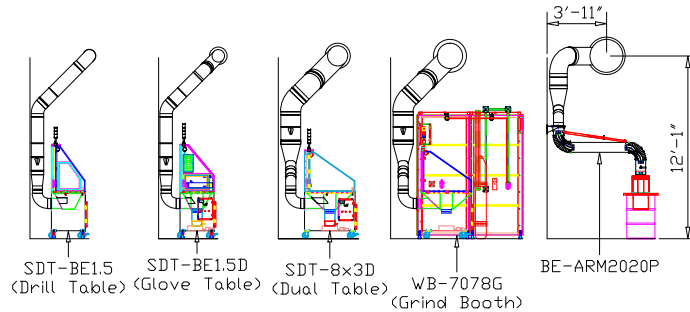
Bloom Energy S021554 Duct Layout



Plan View

Notes:

1. Clamp together duct to support from ceilings
2. SDC-AT-5-40 drawings to be confirmed at a later date
3. Avani Environmental standard installation crew is quoted out per day based on the above drawings and approvals. Any changes, modifications, downtime, or inability to perform our work above and beyond the control of Avani Environmental will charge an additional \$1,000 per work day (5 or more hours) per crew above what was initially quoted.



Elevation View

Avani Environmental Intl. Inc.
95 Cypress Drive
Youngsville, NC 27596
P# 919-488-2862 F# 919-488-2863

Avani

Project: Bloom Energy S021554	
Drawing: Duct Layout	
Date: 9/11/14	Drawn by: MDT
Sheet No: 1 OF 1	Rev: 0