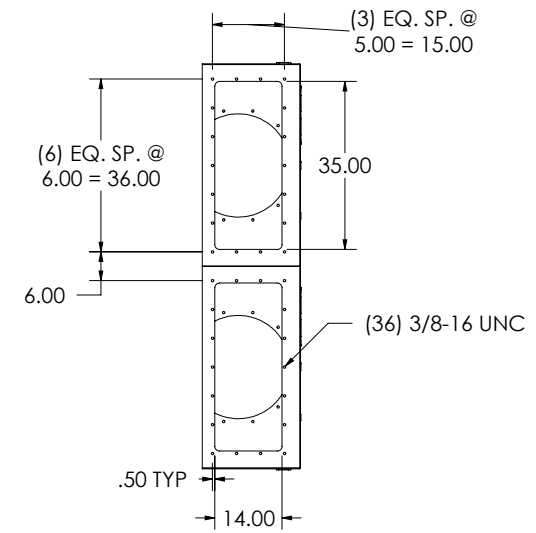
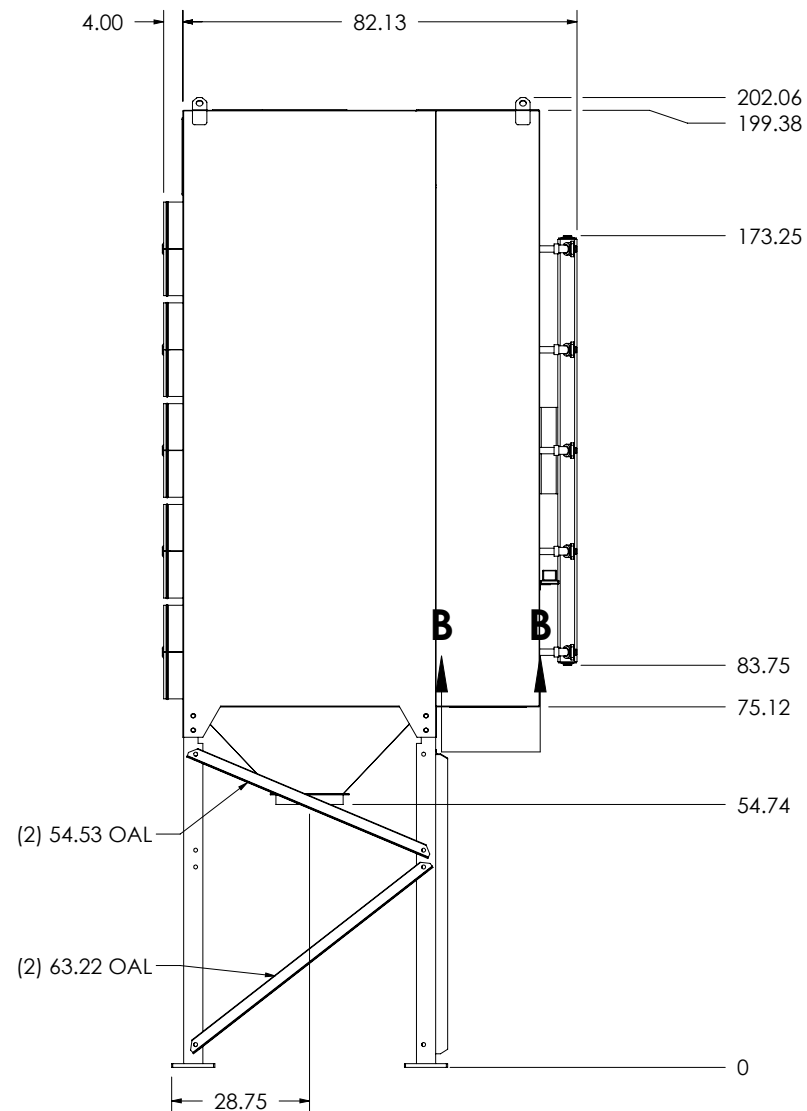
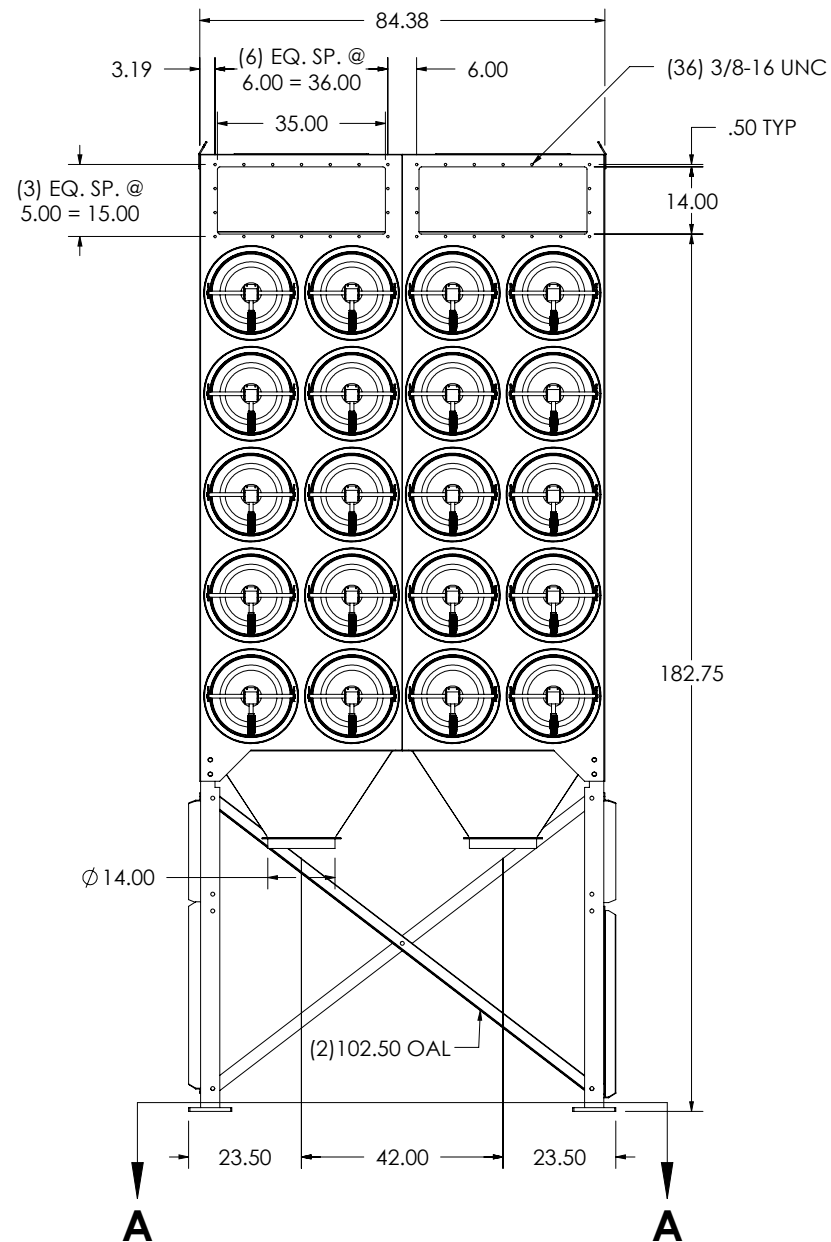
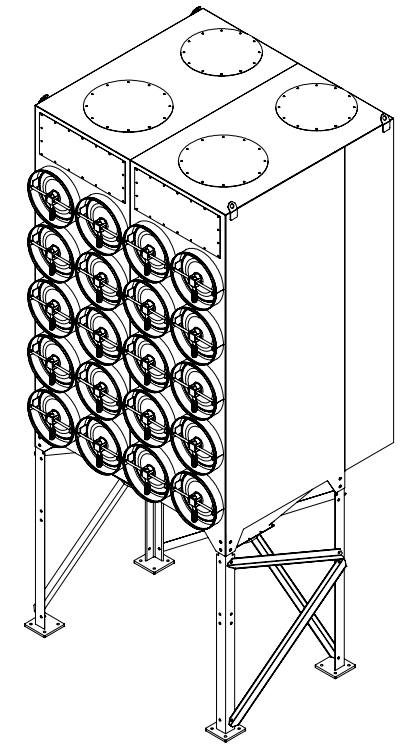


SECTION A-A




SECTION B-B

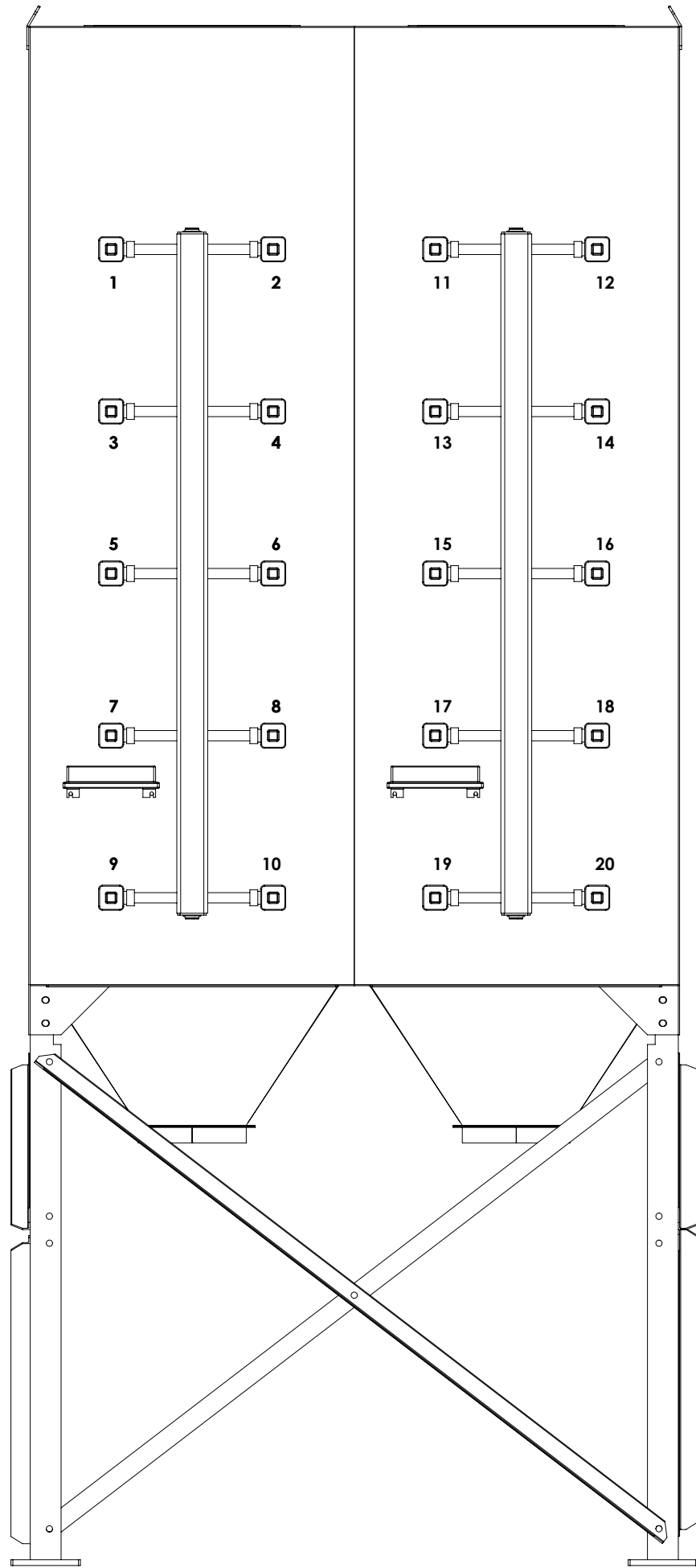



ACCESSORIES:

1. FAN BLOWER: TCF 330 BCS CL17 CW UBD ARR-4
2. FAN OUTLET DAMPER
3. ALL-IN-ONE CONTROLS (50HP/460V)

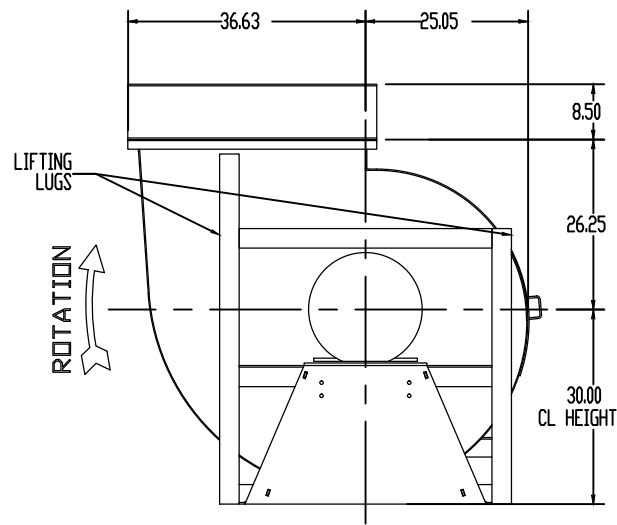
REV	ECN	DATE	BY	CHK	DESCRIPTION
-	-	-	-	-	-
 95 Cypress Dr. Youngsville, NC 27597 Phone: 919-570-2862 www.avanienvironmental.com					
TITLE SDC-AT 5-40 BIBO					
DRAWING NO. BC 15666		SHEET 1 OF 2	ITEM -	REV. -	

DRAWN BY
JX
 DATE
9/16/14
 CHKD BY
-
 DATE
-
 SHOP NO.
-
 SCALE
1:40

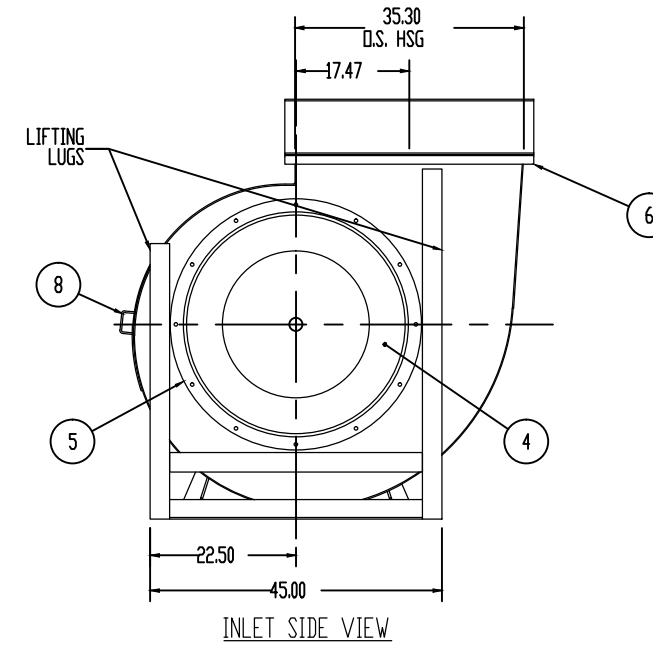
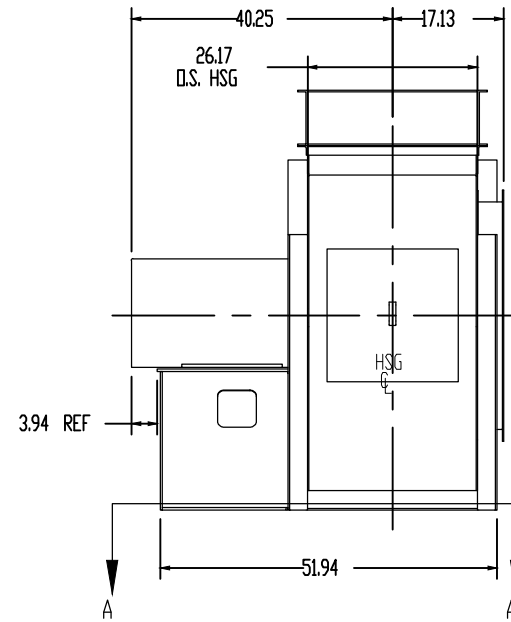


REV	ECN	DATE	BY	CHK	DESCRIPTION
-	-	-	-	-	-
					95 Cypress Dr. Youngsville, NC 27597 Phone: 919-570-2862 www.avanienvironmental.com
TITLE SDC-AT 5-40 BIBO DIAPHRAGM VALVE LOCATIONS					
DRAWING NO.		SHEET		ITEM	REV.
BC 15666		2 OF 2		-	-

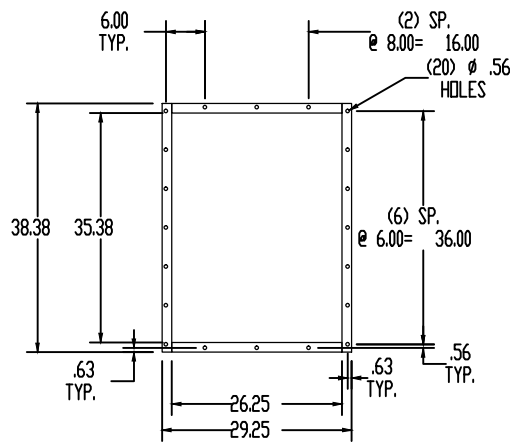
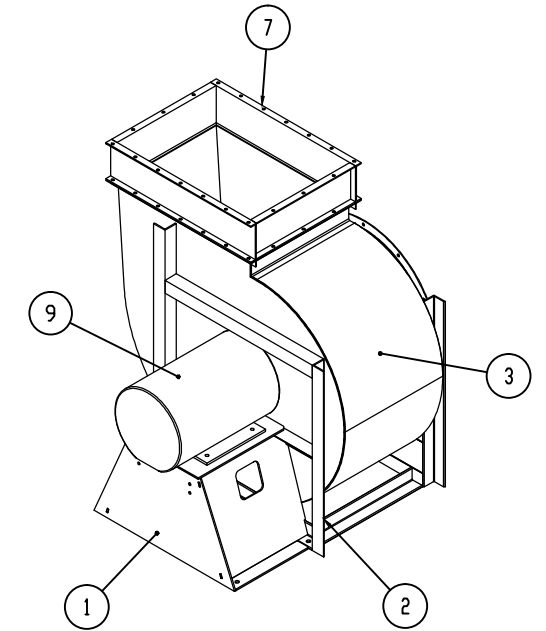
DRAWN BY	JX
DATE	9/16/14
CHKD BY	-
DATE	-
SHOP NO.	-
SCALE	1:20



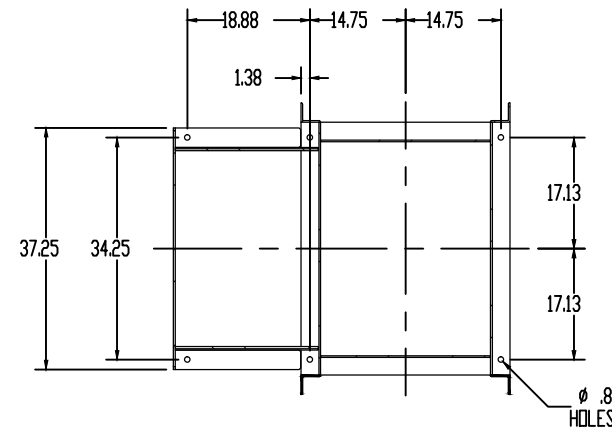
DRIVE SIDE VIEW



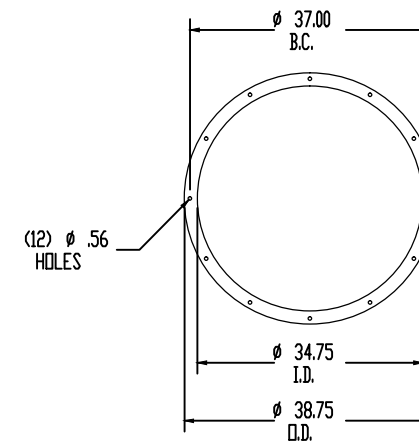
INLET SIDE VIEW



OUTLET FLANGE DETAIL



FOUNDATION PLAN - TOP VIEW SECTION A-A



INLET FLANGE DETAIL

- ACCESSORIES:
 1. DRAIN - 3/4" NPT W/PLUG
 2. SHAFT SEAL - STD TYPE
 3. COATING: ENTIRE FAN; ENAMEL - STD.; ENAMEL - AEROVENT GRAY INCLUDING DAMPER; PREP: TOOL CLEAN & WASH; CURING: PLANT DISCRETION

ITEM	DESCRIPTION	QTY	NOTES
10	WHEEL (NOT SHOWN)	1	
9	MOTOR	1	50 HP, 1800 RPM, 3/60/230-460V, TEFC-PREMIUM, 326T FRAME FURN & MTD BY TCF
8	ACCESS DOOR	1	BOLTED
7	DISCHARGE DAMPER	1	PARALLEL BLADE (STD TYPE) W/D STUFFING BOX PER AC14941
6	OUTLET FLANGE	1	1.5' x 1.5' x .25' ANGLE, PUNCHED PER DETAIL
5	INLET FLANGE	1	7 GA THK FLANGE, PUNCHED PER DETAIL
4	INLET CONE	1	
3	HOUSING ASSEMBLY	1	HSG SIDE = 7 GA., SCROLL = 7 GA.
2	FRAME	1	
1	PEDESTAL	1	

* THE DESIGN SHOWN ON THIS DRAWING IS THE EXCLUSIVE PROPERTY OF TWIN CITY FAN COMPANIES, LTD. IT IS NOT TO BE USED FOR ANY PURPOSE OR ITS CONTENTS DISCLOSED WITHOUT OUR WRITTEN CONSENT.

JOB AND LOCATION	PERFORMANCE 'A'
CUSTOMER NAME	AIR CLEANING TECHNOLOGY, INC
JOB NAME	94AVANI
JOB ID	94AVANI
SOL NUMBER	516982
TAG UNIT	BCS 330 - 20,000

TEMP.	70°F	DRAWN BY	PYK
ELEVATION	0 FT	DATE	09/11/14
DENSITY	0.075	CHKD BY	PKS
CFM	20000	DATE	09/11/14
SP.	12	MOTOR WT	542 LBS
RPM	1750	FAN WT	1110 LBS
BHP.	47.48		
T.S.	15119		
D.V.	3195	SCALE	1:28

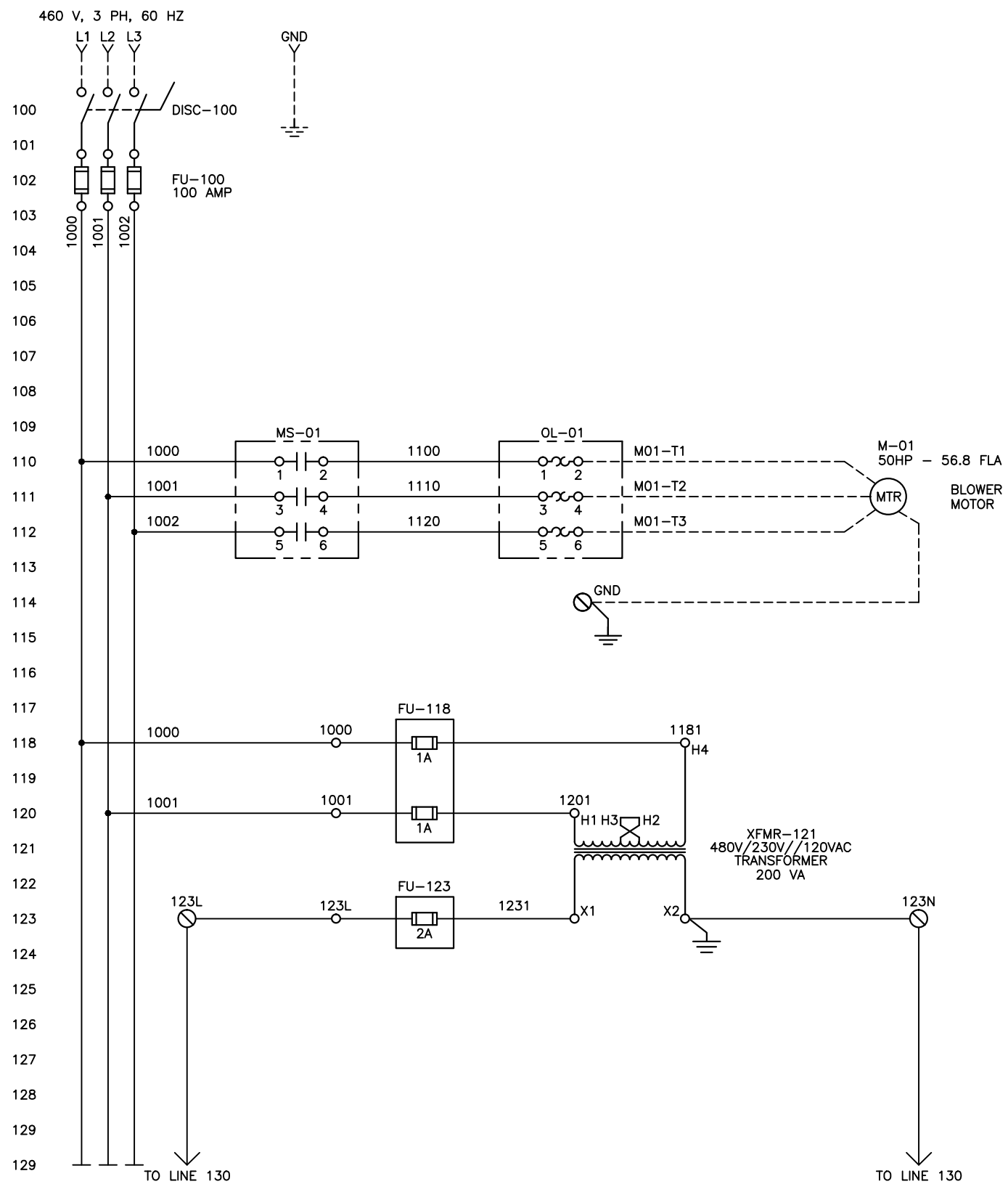
REV	REV BY	REV DATE	CHK BY	CHK DATE	DESCRIPTION
-	-	-	-	-	-

Twin City Fans & Blowers

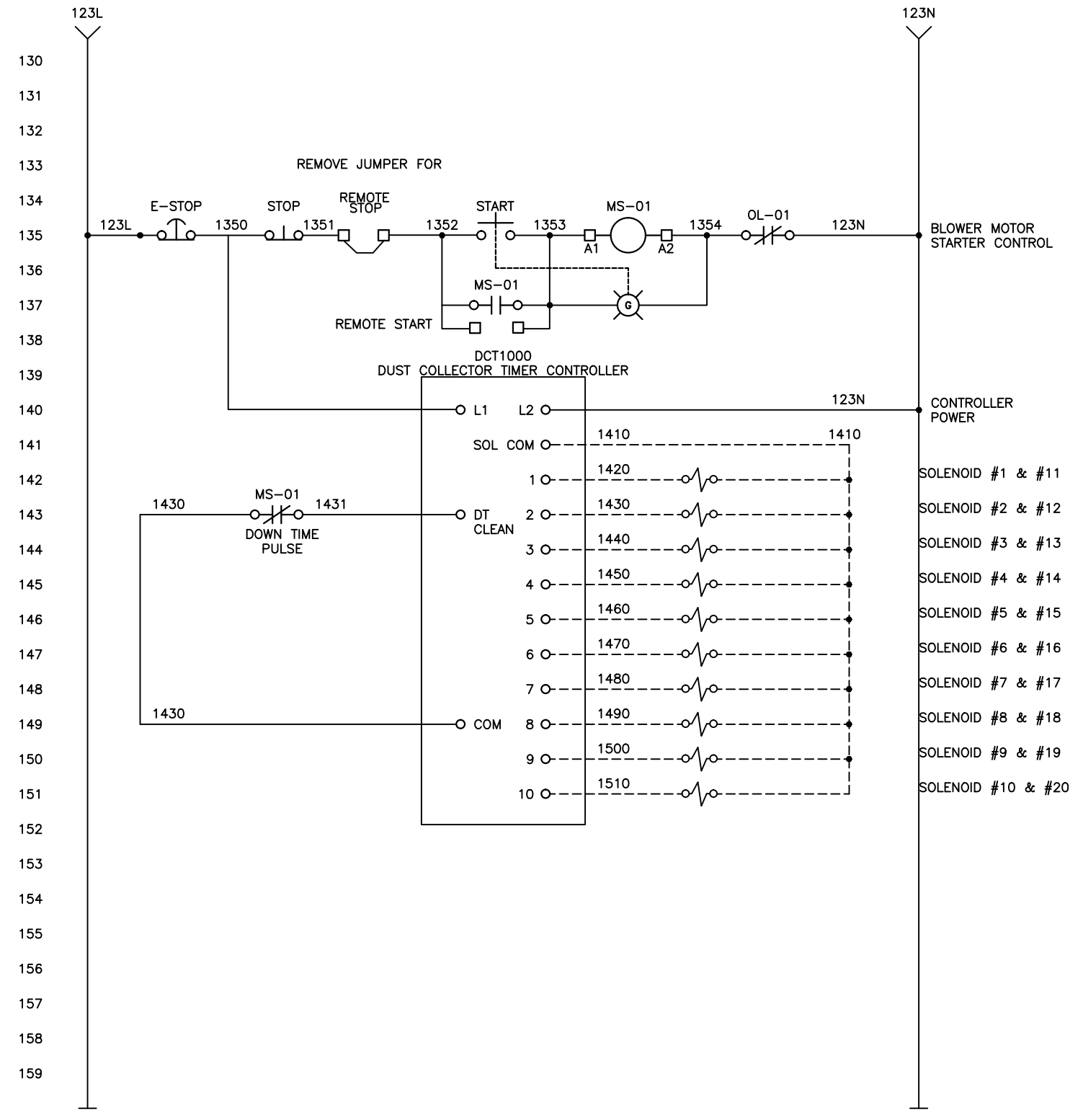
5959 Trenton Lane N | Minneapolis, MN 55442
 ISO-9001:2008 Registered

TITLE
 SIZE 330, TYPE BCS, CL 17, CW ROT, UBD DISCH
 ARR-4, NON-ROT

DRAWING NO.	ROW	ITEM	SHEET	REV.
BC 516982	001	00	1 OF 1	



100
101
102
103
104
105
106
107
108
109
110
111
112
113
114
115
116
117
118
119
120
121
122
123
124
125
126
127
128
129
129



130
131
132
133
134
135
136
137
138
139
140
141
142
143
144
145
146
147
148
149
150
151
152
153
154
155
156
157
158
159

THIS DRAWING IS CONFIDENTIAL PROPERTY OF ENGINEERING FIRM. DO NOT DUPLICATE IN ANY TYPE WITHOUT PROPER WRITTEN PERMISSION. IF YOU ARE NOT THE INTENDED CLIENT PLEASE DESTROY THIS DOCUMENT.			DUST COLLECTOR BLOWER PACKAGE 460VAC, 3 PHASE - 50 HP WITH DUST COLLECTOR TIMER CONTROLLER			
REV.	DESCRIPTION	DATE	FILE PATH:	CLIENT	PLOT DATE: 01/01/04	
1	CREATED	7/28/08		AVANI ENVIRONMENTAL	DRAWING NUMBER 50 HP	
2	REMOVED NOTE "CONTINUED IN COLUMN 165"	10/20/14	DRAWN BY: ECS	DATE: 7/28/08	PROJECT NUMBER 460	
			CHECKED BY: ECS	DATE: 7/28/08		
				DRAWING SCALE NONE		