



www.avanienvironmental.com

Purchase Order

Sales Order #	Date	P.O. No.	Due Date
22122	12/9/2014	10077	12/9/2014
Project Name			

Vendor
Triangle Metalworks, Inc Robbie Tilley 100 Moores Pond Road Youngsville, NC 27596

FOB

Ship Via
Best Way

Ship To
Avani Environmental Int'l Inc 95 Cypress Drive Youngsville, NC 27596 Barnes SO#22122

Vendor Phone	Vendor E-mail	Terms
919-556-8382	Robbie@trianglemetalworks.com;jimf@trian...	Net 30

Item	MPN	Description	Qty	Unit Price	Amount
Customized		Custom 14" transition per the attached drawing	2	285.00	570.00

Total \$570.00

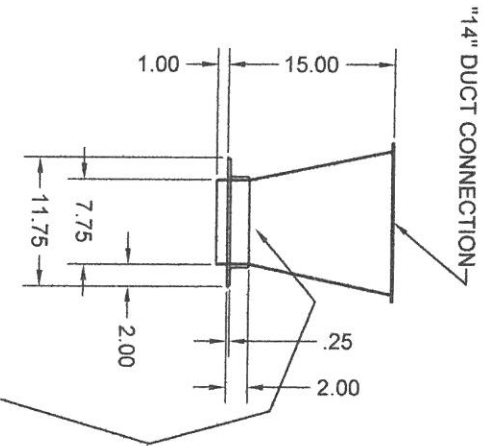
Please confirm receipt of purchase order, estimated ship date, and tracking information to Barb Puffer, bpuffer@avanienvironmental.com

Avani is not liable for any shipping charges if shipped on an account different from what is provided in the PO.

95 Cypress Dr, Youngsville, NC 27596 info@avanienvironmental.com
Ph: (919) 570-2862 Fx: (919) 570-2863

DO NOT SCALE DRAWING

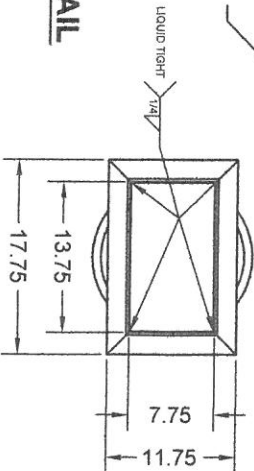
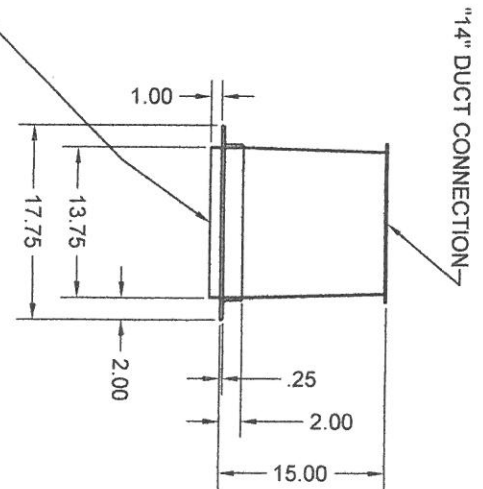
V1000 GPM MIST COLLECTION SYSTEM	
COMPONENT	QUANTITY
ADAPTER, Ø14" TO 8" x 14", 15" TALL	1
ELBOW, Ø14" DUCT	2
TUBE, Ø14", 200mm LG DUCT	2
SLIP TUBE, Ø14", 500mm LG DUCT	1
HOSE, Ø14", CLEAR, 36" LG.	1
CLAMP, WORM GEAR, Ø14"	2
TUBE, Ø14", 1000mm ST LG DUCT	1
CLAMP, Ø14" DUCT	6
HOSE ADAPTER, Ø14" DUCT TO Ø14" HOSE	1
U-SHAPED GASKET Ø14"	8



14" x 8" RECTANGULAR CONNECTION END (UNDERSIZED FOR SLIP FIT INTO MIST COLLECTOR)

TRANSITION ADAPTER DETAIL

(TO BE MADE OUT OF 14ga)



SIZE "C" CAD DRAWING

SYN	REVISIONS	DATE	BY
REF. DRAWING			

DIMENSIONAL TOLERANCES ALL DIMENSIONS ARE REFERENCE ONLY TOLERANCES AS SHOWN
 SCALE 1 : 8
 DESIGN BML
 DRAFT DS4FT
 DATE 10/16/14
 CHECKED BML

BAWVERS
 ADVANCED CONCEPTS
 SUPERIOR FILTRATION
 ROCKFORD, ILLINOIS 61105
 (815) 964-9881

TITLE V1000 MIST COLLECTION DUCT
 ORDER NO. 79.80095.1013
 DRAWING NO. REV

CUSTOMER