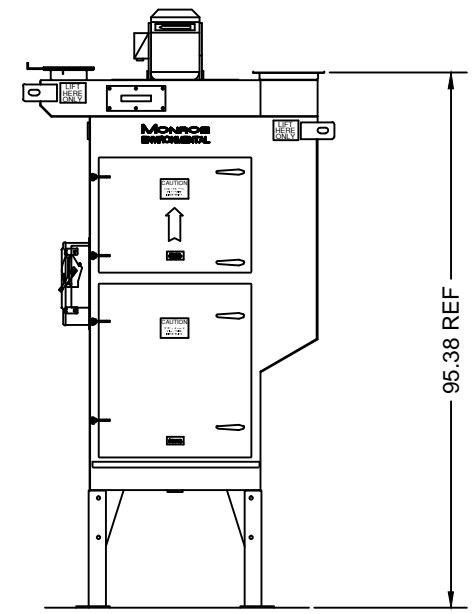
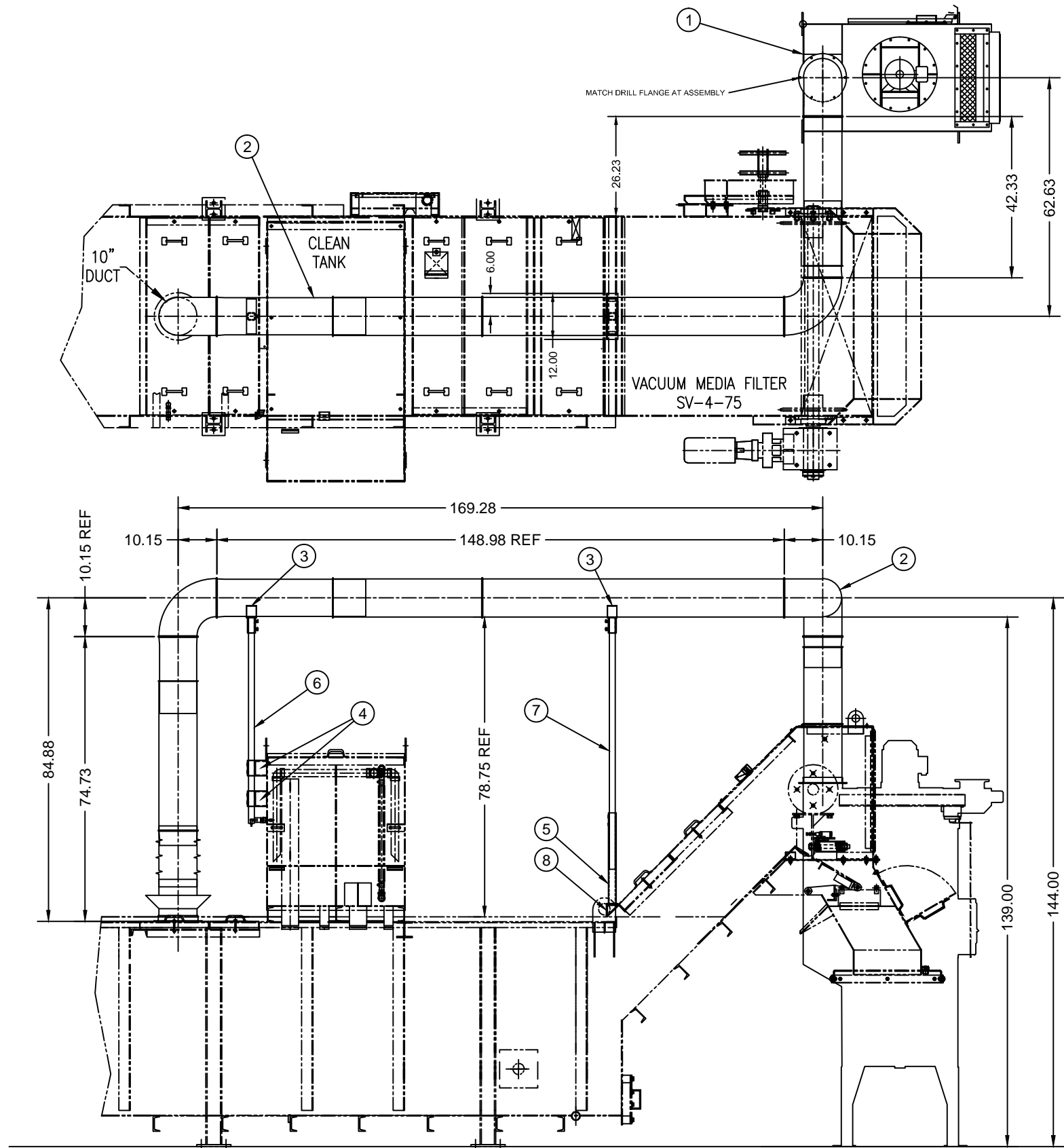


DO NOT SCALE DRAWING

BILL OF MATERIAL			
ITEM	BARNES P/N	QTY	DESCRIPTION
1	REF	1	MIST COLLECTOR, 1000 CFM
2	79.80095.1011	1	V150 MIST COLLECTION DUCTING
3	79.80095.0031	2	10" CRADLE, ADJUST., VERT. (SEE DWG. #79.80095.0040)
4	79.80095.0050	2	RD CENTER MOUNT, 5IN LG (SEE DWG. #79.80095.0030)
5	79.80095.0023	1	MOUNT, INBOARD UPRIGHT SUPPORT, 24.00" LG
6	F	1	TUBING, 1.50" SQ, 1/8 WALL X 54.00" LG
7	F	1	TUBING, 1.50" SQ, 1/8 WALL X 66.00" LG
8	F	1	ANGLE-3 x 3 x 1/4 x 12.00
9	79.80095.0089	1	CURB, Ø10" OIL MIST



LEGEND

- SEE DRAWING BILL OF MATERIAL
- ◡ SEE REFERENCE BILL OF MATERIAL
- △ REVISIONS

SYM	REVISIONS	DATE	BY
REF. DRAWING	79.80095.0022; 79.80095.0082		

DIMENSIONAL TOLERANCES
ALL DIMENSIONS ARE
REFERENCE ONLY
TOLERANCES AS SHOWN

SCALE	1 : 16
DESIGN	TAL
DRAFT	BML
DATE	10/9/14
CHECKED	RG

BARNES
INTERNATIONAL, INC.
ROCKFORD, ILLINOIS 61105
(815) 964-8661

ADVANCED CONCEPTS
FILTRATION

SUPERIOR
FILTRATION

TITLE	MIST COLLECTOR ASSEMBLY
ORDER NO.	SV-3004
DRAWING NO.	79.80095.1010
REV	-

SIZE "D" CAD DRAWING

CUSTOMER GM ROMULUS