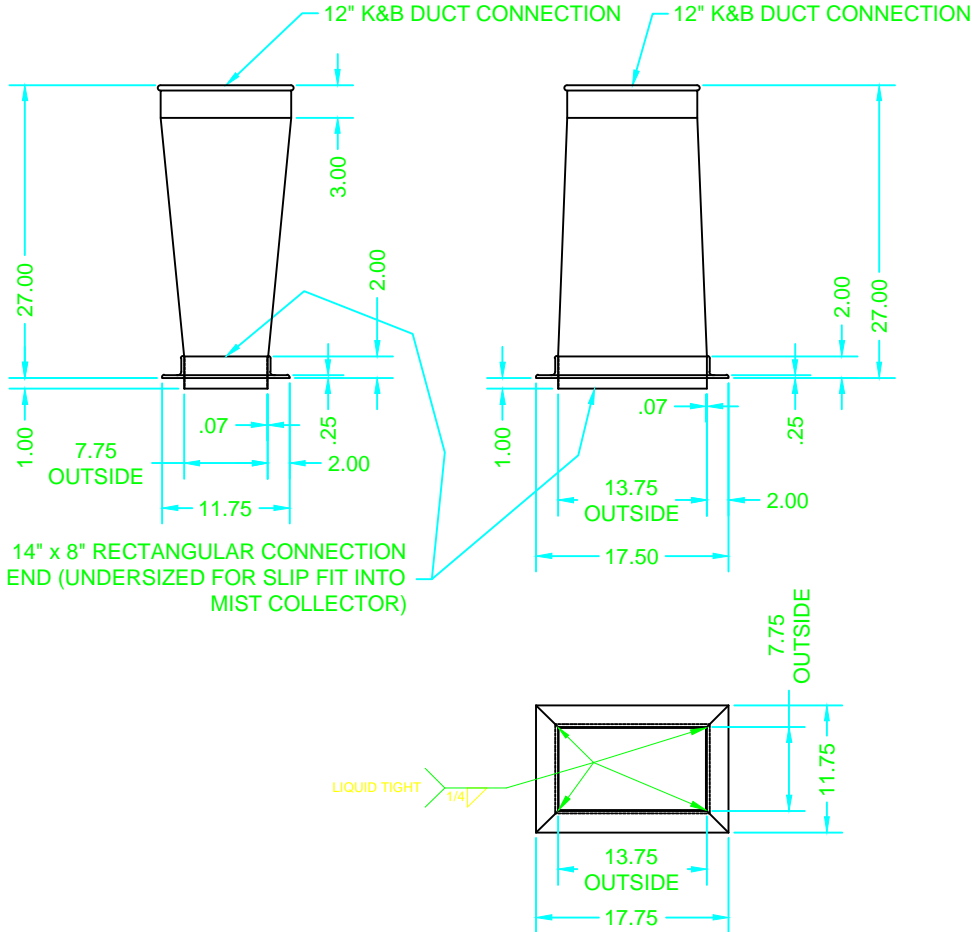


14"X8" Rect. to 12" K&B Duct Transition



Note:
All seams must be welded liquid tight

Avani Environmental Intl.
95 Cypress Drive
Youngsville, NC 27596
P# 919-570-2862 F# 919-570-2863

Avani

| | |
|--------------------------------------|---------------|
| Project: Barnes K&B Duct Transitions | |
| Drawing: 14"x8"x12" KBD Transition | |
| Date: 6/29/15 | Drawn by: WWB |
| Sheet No: 1 of 1 | Rev.: 0 |