

# EUROVAC

116 BUTTERMILL AVE., CONCORD, ONTARIO, L4K 3X7

TEL.: 1-800-265-3878

FAX: 905-738-4603

www.eurovac.com

## PRODUCT SPECIFICATIONS

PRODUCT: STANDARD PRE-SEPARATORS WITH 55 GALLON DIRT CANISTER ON LEG SUPPORT

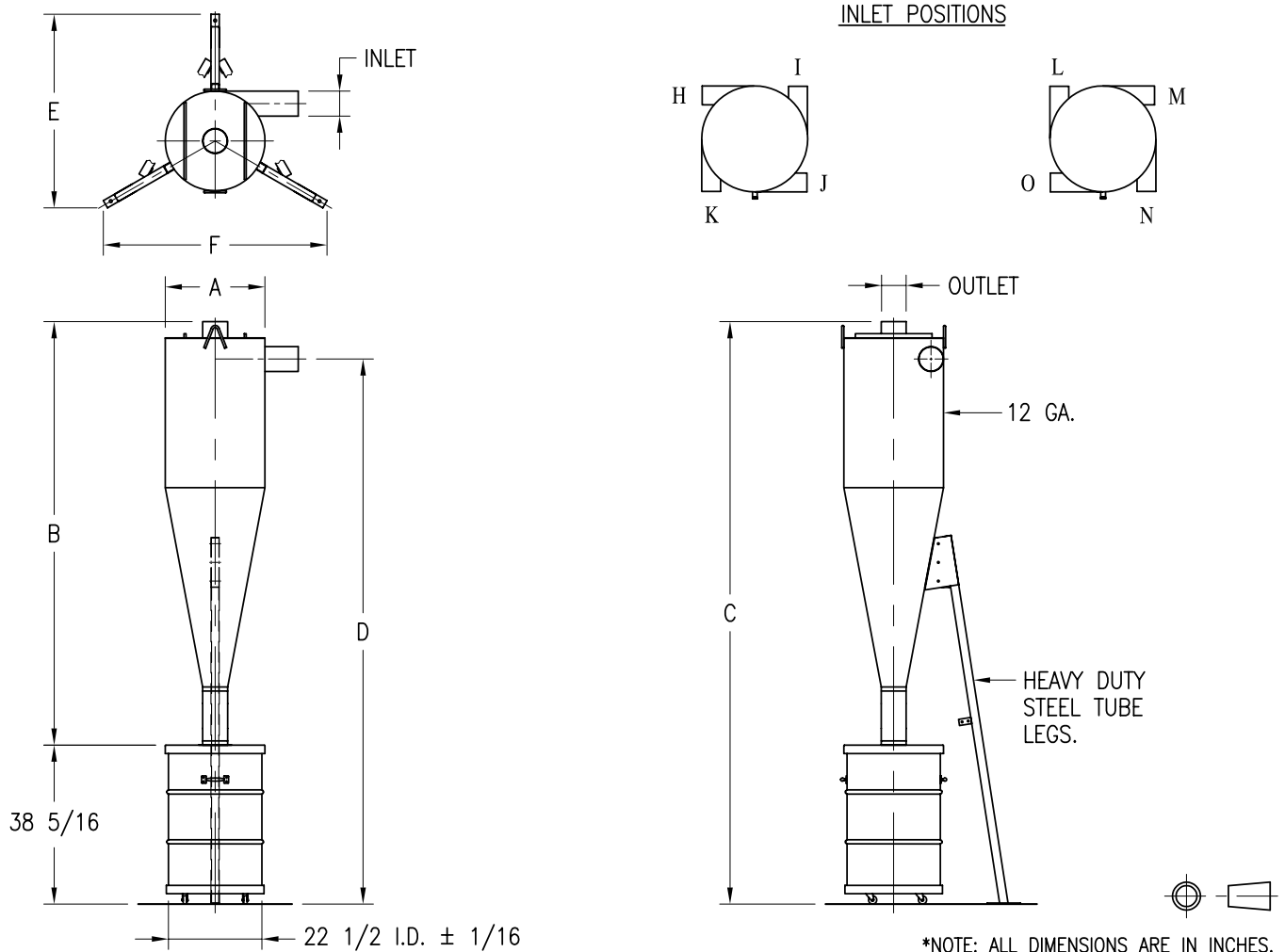
FOR APPROVAL  
 FOR CERTIFICATION

PROJECT: -  
 PROJECT NO.: -  
 ORDER NO.: -

MODEL NO.	DIRT CANISTER CAPACITY (gallon)	FLOW RATE RANGE (cfm)	PRESSURE DROP RANGE (in. wg.)	DIMENSIONS (in.)							
				A	B	C	D	E	F	INLET	OUTLET
PRS-10	55	250 - 365	1.89 - 4.04	ø10	63	101 5/16	93 5/16	38 13/16	44 13/16	3 O.D.	3 O.D.
PRS-12	55	325 - 520	1.57 - 4.02	ø12	67 1/16	105 3/8	94 7/8	39 11/16	45 7/8	4 O.D.	5 O.D.
PRS-15	55	450 - 810	1.24 - 4.03	ø15	72 1/16	110 3/8	99 9/16	41 11/16	48 1/8	5 O.D.	5 O.D.
PRS-18	55	800 - 1175	1.87 - 4.03	ø18	81	119 5/16	110 5/16	42 5/8	49 3/16	5 O.D.	5 O.D.
PRS-21	55	1025 - 1600	1.65 - 4.01	ø21	88	126 5/16	117 5/16	42 3/16	48 11/16	6 O.D.	6 O.D.
PRS-24	55	1600 - 2100	2.38 - 4.09	ø24	102	140 5/16	131 5/16	46 5/8	53 7/8	6 O.D.	6 O.D.
PRS-27	55	2100 - 2650	2.56 - 4.08	ø27	108	146 5/16	136 5/16	46 5/8	53 13/16	8 O.D.	8 O.D.
PRS-30	55	2500 - 3250	2.36 - 3.99	ø30	118	156 5/16	146 5/16	51	58 15/16	8 O.D.	8 O.D.
PRS-33	55	3250 - 4000	2.55 - 3.86	ø33	140	178 5/16	168 5/16	64 1/4	74	12 O.D.	12 O.D.

PAINT FINISH: THERMOSET POLYESTER POWDER COATING 2-4 mm INSIDE AND OUT.

OTHER SUPPORT OPTIONS: FRAME SUPPORT AND WALL BRACKET (WALL MOUNTED).



THIS DOCUMENT CONTAINS PROPRIETARY AND CONFIDENTIAL DATA OF EUROVAC INC. NO DISCLOSURE REPRODUCTION, OR USE OF ANY PART THEREOF, MAY BE MADE WITHOUT WRITTEN PERMISSION OF THE COMPANY.