

THIS DOCUMENT CONTAINS PROPRIETARY AND CONFIDENTIAL DATA OF EUROVAC INC. NO DISCLOSURE REPRODUCTION, OR USE OF ANY PART THEREOF, MAY BE MADE WITHOUT WRITTEN PERMISSION OF THE COMPANY.

EUROVAC

116 BUTTERMILL AVE., CONCORD, ONTARIO, L4K 3X7

TEL.: 1-800-265-3878

FAX: 905-738-4603

www.eurovac.com

PRODUCT SPECIFICATIONS

PRODUCT: STANDARD PRE-SEPARATORS WITH 30 GALLON DIRT CANISTER ON LEG SUPPORT

FOR APPROVAL

FOR CERTIFICATION

PROJECT: -

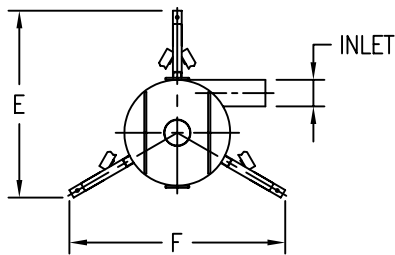
PROJECT NO.: -

ORDER NO.: -

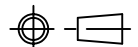
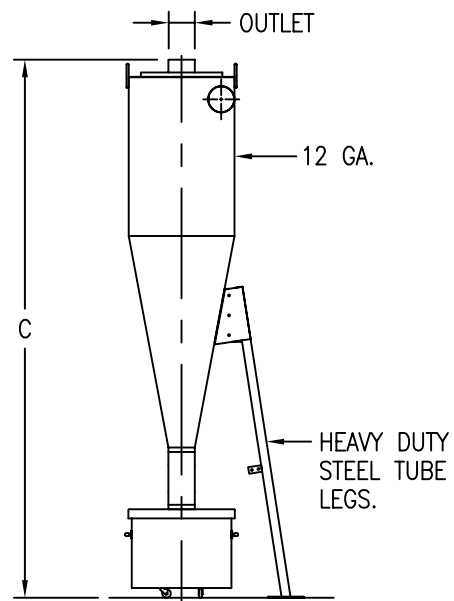
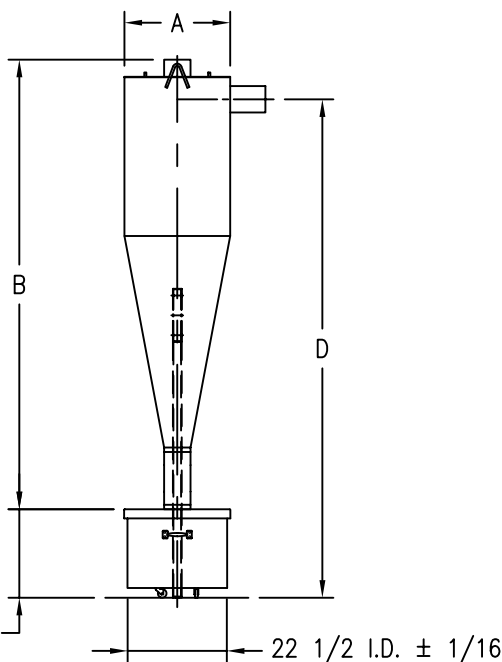
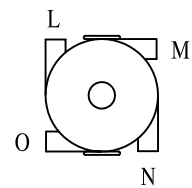
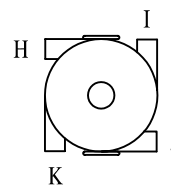
MODEL NO.	DIRT CAN CAPACITY (gallon)	FLOW RATE RANGE (cfm)	PRESSURE DROP RANGE (in. wg.)	DIMENSIONS (in.)							
				A	B	C	D	E	F	INLET	OUTLET
PRS-1030	30	250 - 365	1.89 - 4.04	∅10	63	83 1/16	75 1/16	34 9/16	39 15/16	3 O.D.	3 O.D.
PRS-1230	30	325 - 520	1.57 - 4.02	∅12	67 1/16	87 1/8	76 5/8	35 1/16	40 1/2	4 O.D.	5 O.D.
PRS-1530	30	450 - 810	1.24 - 4.03	∅15	72 1/16	92 1/8	81 5/16	37 7/16	43 1/4	5 O.D.	5 O.D.
PRS-1830	30	800 - 1175	1.87 - 4.03	∅18	81	101 1/16	92 1/16	38 3/8	44 5/16	5 O.D.	5 O.D.
PRS-2130	30	1025 - 1600	1.65 - 4.01	∅21	88	108 1/16	99 1/16	37 15/16	43 13/16	6 O.D.	6 O.D.
PRS-2430	30	1600 - 2100	2.38 - 4.09	∅24	102	122 1/16	113 1/16	42 3/8	48 15/16	6 O.D.	6 O.D.
PRS-2730	30	2100 - 2650	2.56 - 4.08	∅27	108	128 1/16	118 1/16	42 3/8	48 15/16	8 O.D.	8 O.D.
PRS-3030	30	2500 - 3250	2.36 - 3.99	∅30	118	138 1/16	128 1/16	46 3/4	54	8 O.D.	8 O.D.

PAINT FINISH: THERMOSET POLYESTER POWDER COATING 2-4 mm INSIDE AND OUT.

OTHER SUPPORT OPTIONS: FRAME SUPPORT AND WALL BRACKET (WALL MOUNTED).



INLET POSITIONS



*NOTE: ALL DIMENSIONS ARE IN INCHES.