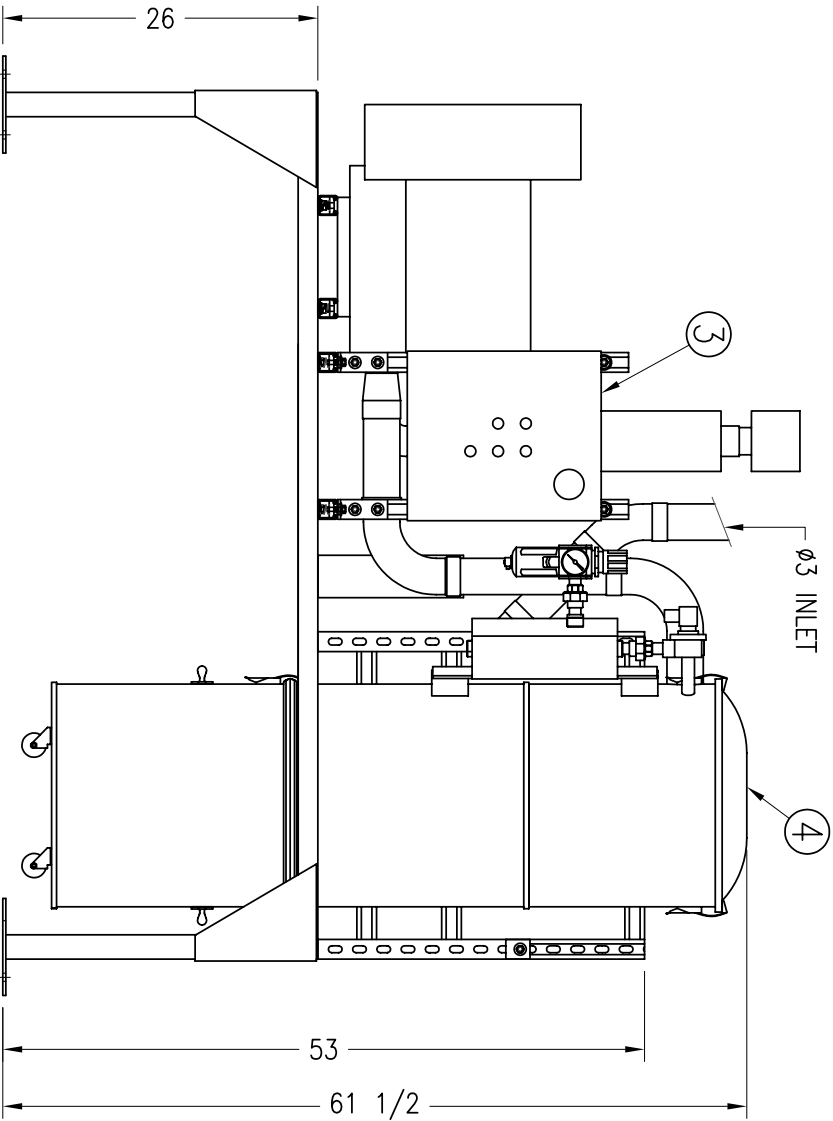
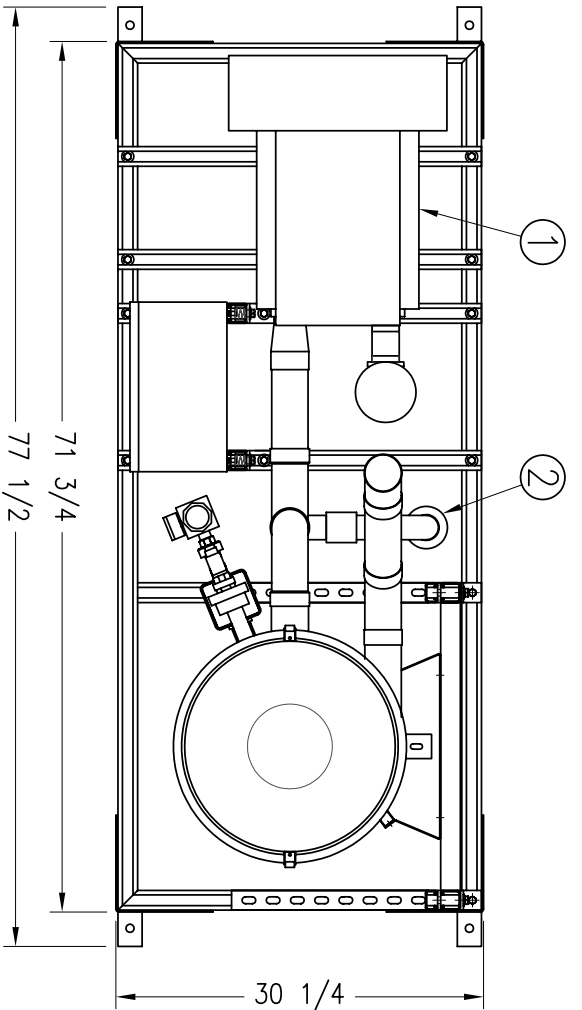


EUROVAC

116 BUTTERMILL AVE.
 CONCORD, ONTARIO L4K 3Y7
 TEL: 1 800 265 3878 FAX: 905 738 4603
 WWW.EUROVAC.COM



ITEM	DESCRIPTION	PART NO.
------	-------------	----------

1	10 HP VACUUM PUMP (575)	038735 (038737)
2	2" VACUUM RELIEF VALVE	030-4100000
3	CONTROL PANEL	CPA-1000
4	Ø18 FILTER SEPARATOR	040-1102

MOTOR VOLTAGE	230/460 (575)
MOTOR F.L. AMPS.	30/15 (11)
AIR FLOW (S.C.F.M.)	260
STATIC PRESSURE	60 in wg
OUTPUT HP	10 HP

REVISIONS

REV. NO.	DESCRIPTION	DATE
REV. A		
REV. B		
REV. C		

TITLE: EUROVAC I - 10 HP SEPARATOR
 VACUUM SYSTEM

DRAWN BY: C.B.	SCALE: 1:16
CHECKED BY: E.E.	DATE: 01/12/06
APPROVED BY: C.R.	SHEET: 1 OF 1
DWG. NO.: 10HP-18FS	

THIS DOCUMENT CONTAINS PROPRIETARY AND CONFIDENTIAL DATA OF EUROVAC INC. NO DISCLOSURE REPRODUCTION, OR USE OF ANY PART THEREOF, MAY BE MADE WITHOUT WRITTEN PERMISSION OF THE COMPANY.