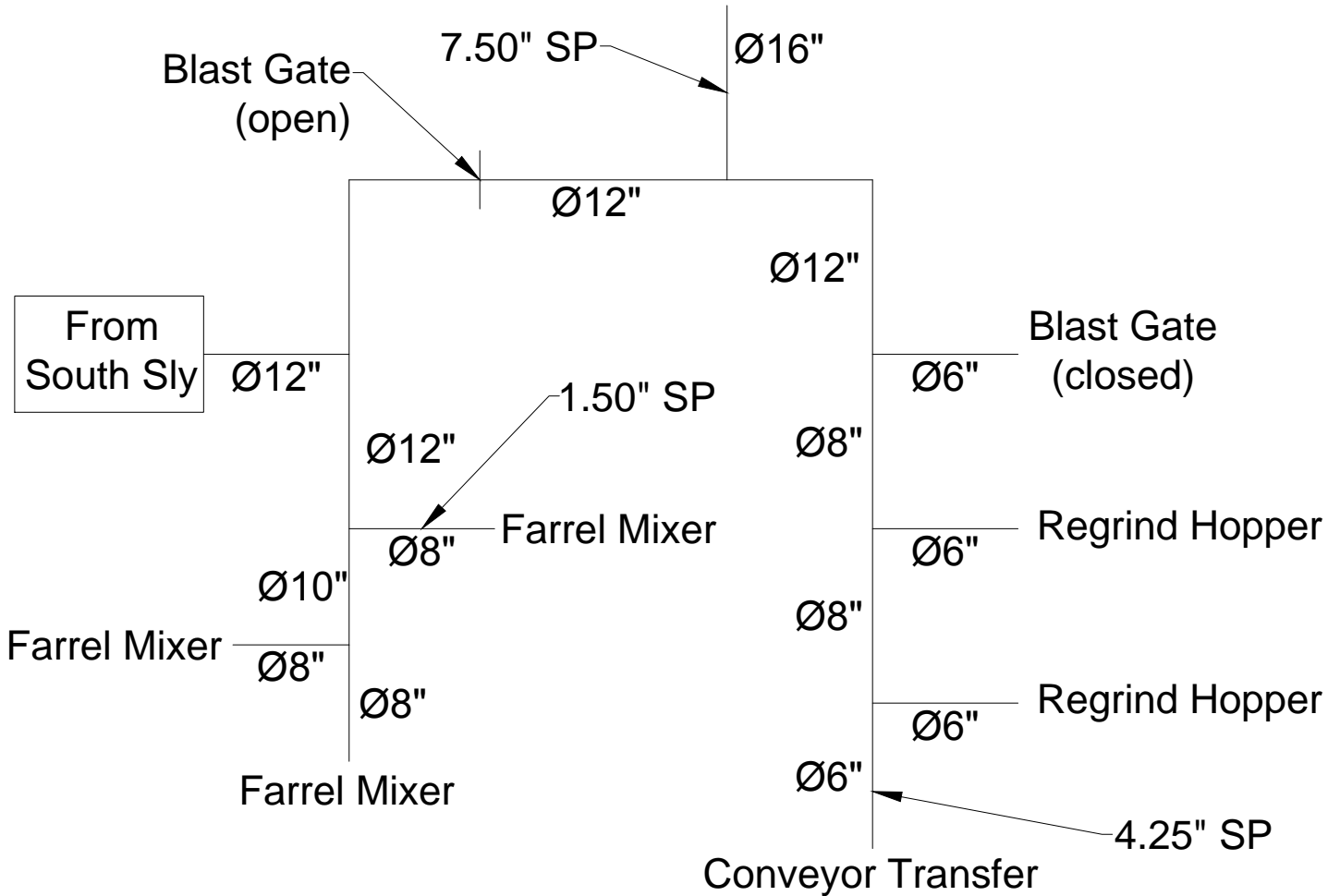


Evo Unit

2nd Floor Duct

Evo Unit - 2nd Floor
D2 - 3935 CFM



Avani Environmental Intl.
95 Cypress Drive
Youngsville, NC 27596
P# 919-570-2862 F# 919-570-2863

Avani

Project: Armstrong Duct Study

Drawing: Evo 2nd Floor Duct

Date: 5/6/13

Drawn by: MDT

Sheet No: 1 of 1

Rev.: 0