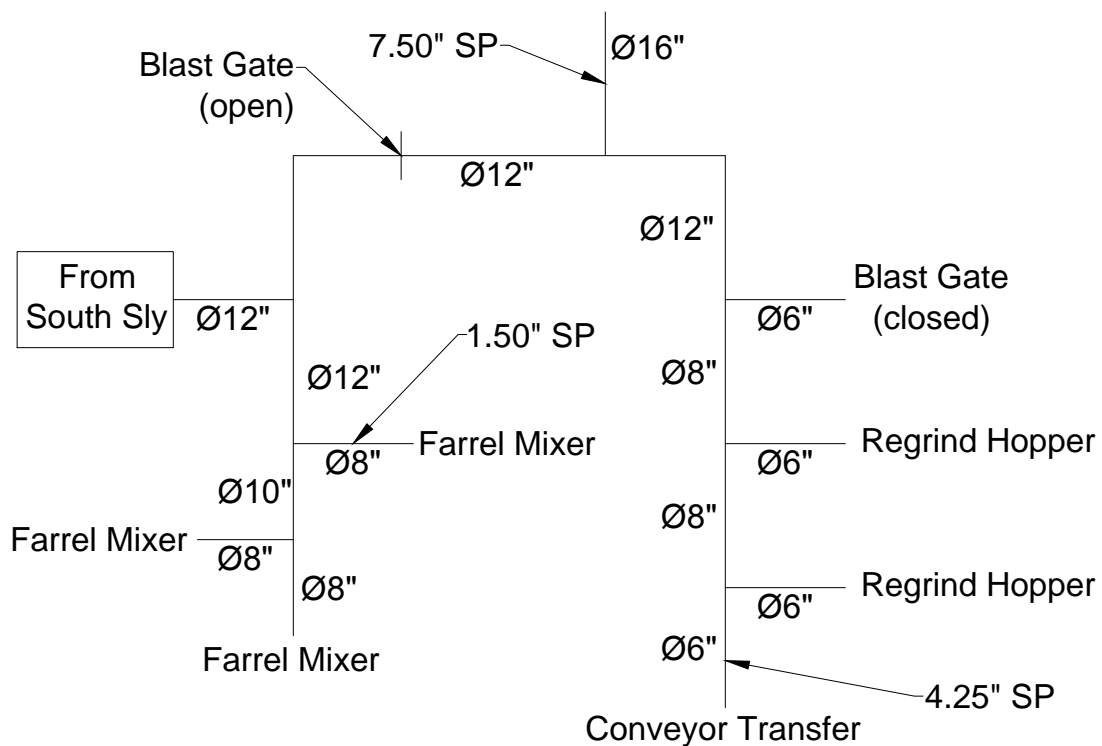


# Evo Unit 2nd Floor Duct

Evo Unit - 2nd Floor  
3935 CFM



Avani Environmental Intl.  
95 Cypress Drive  
Youngsville, NC 27596  
P# 919-570-2862 F# 919-570-2863

**Avani**

Project: Armstrong Duct Study

Drawing: Evo 2nd Floor Duct

Date: 5/6/13

Drawn by: MDT

Sheet No: 1 of 1

Rev.: 0