

Fume Extraction

Floor	CFM
Floor 2	14224
Floor 1	12305
Total	26529

Line 3 Sly

	Floor 3	Floor 2	Floor 1	Line-3 Sly
Total Needed:	5,367	5,061	13,014	24,042
Recorded:	-	-	-	15,954
Difference:	-	-	-	(8,088)

Fan Rated for 22,528 CFM @ 13" SP.

South Sly

	South Sly
Total Needed:	5,285.95
Recorded:	9,035.00
Difference:	3,449.95

Western Precept

	Floor 3	Floor 2	Western Precept
Total Needed:	12,917	2,156	20,793
Recorded:	6,962	1,820	9,392
Difference:	(6,472)	(1,756)	(10,233)

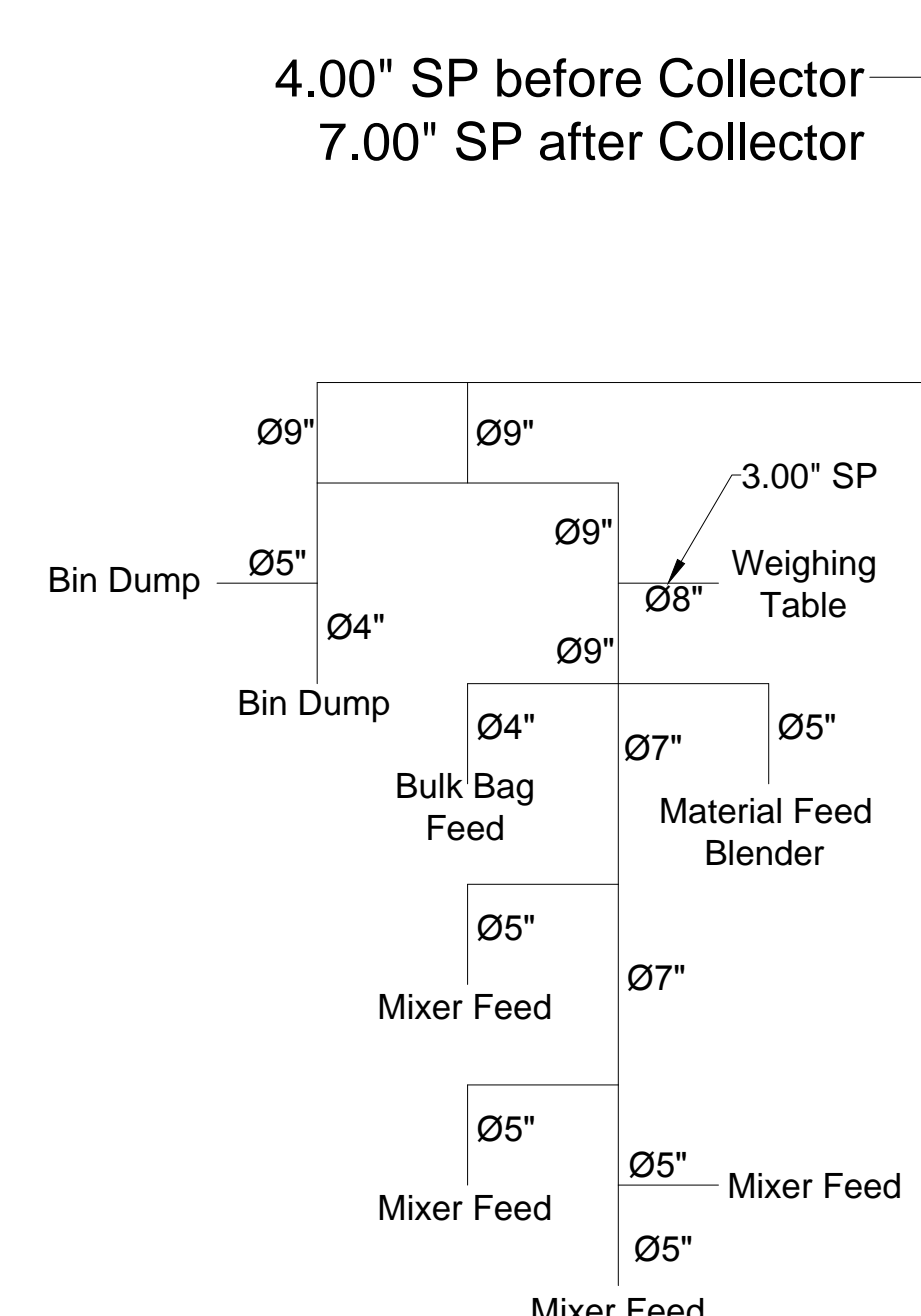
Fan rated for 21,000 CFM @ 20" SP.

EVO Collector

	Floor 3	Floor 2	EVO Collector
Total Needed:	4,800	6,545	11,345
Recorded:	5,620	3,935	9,555
Difference:	820	(2,610)	(1,790)

Per 4000 FPM		
Diameter (in)	CFM Required	
12	3142	
10	2182	
8	1395	
7	1060	
6	785	
5	545	
4	349	
3	195	

3rd Floor



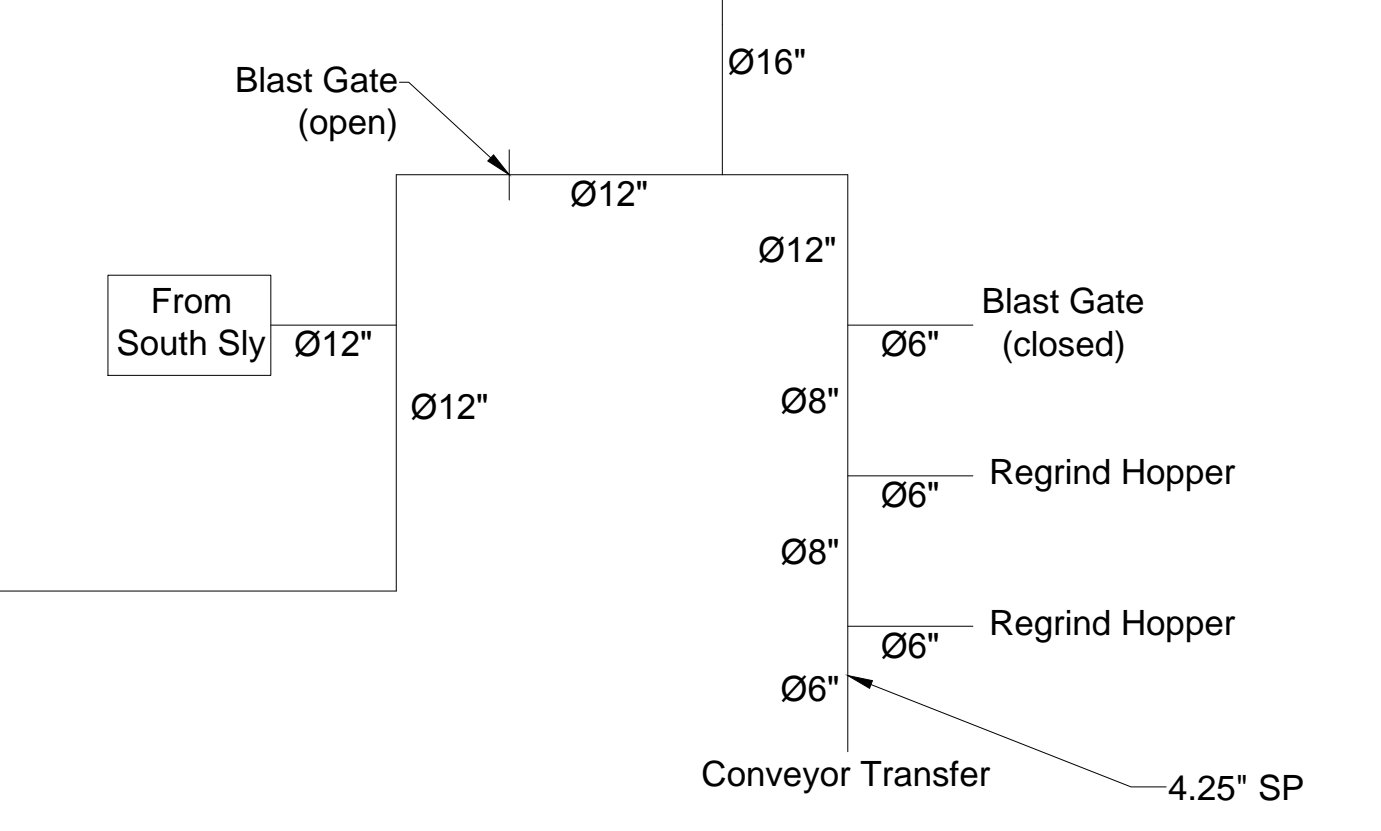
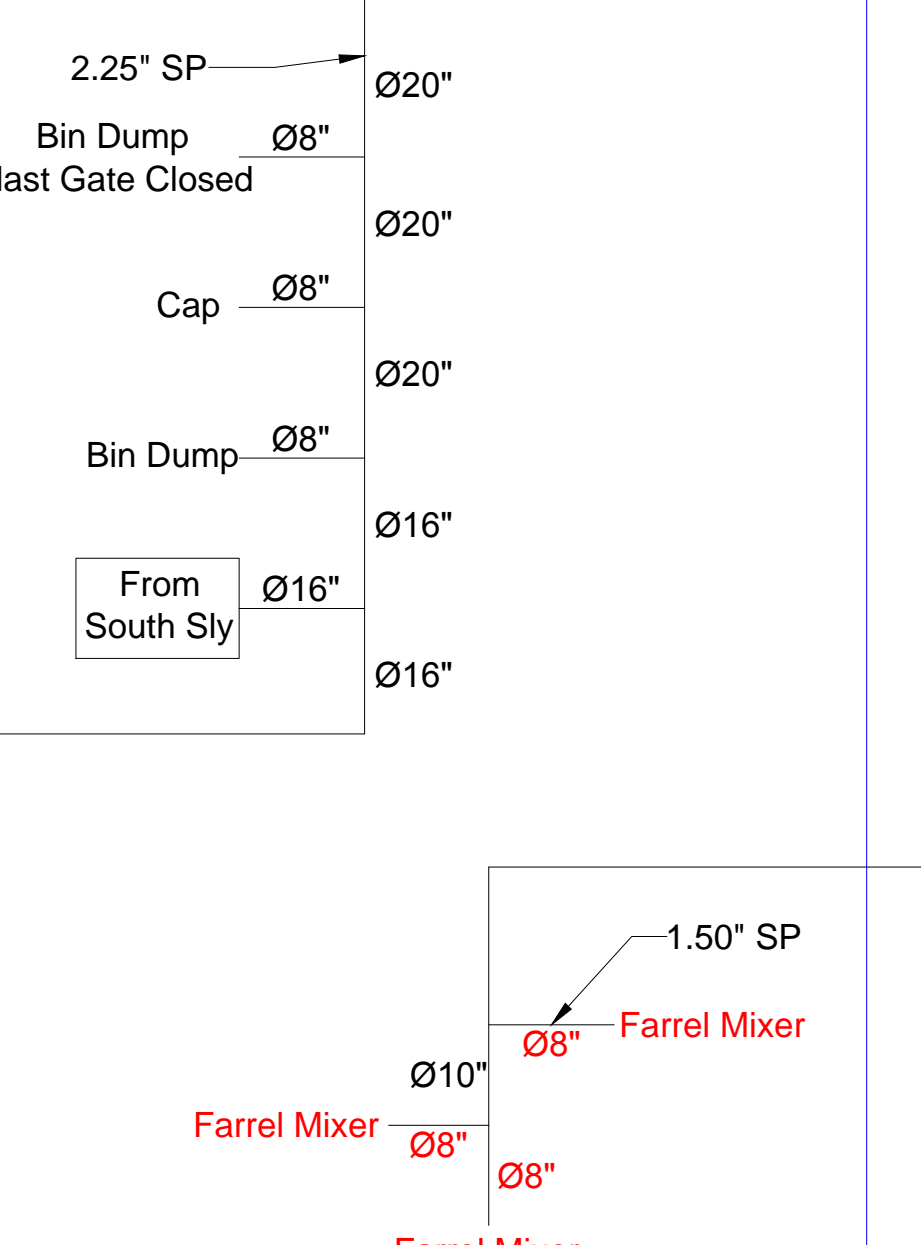
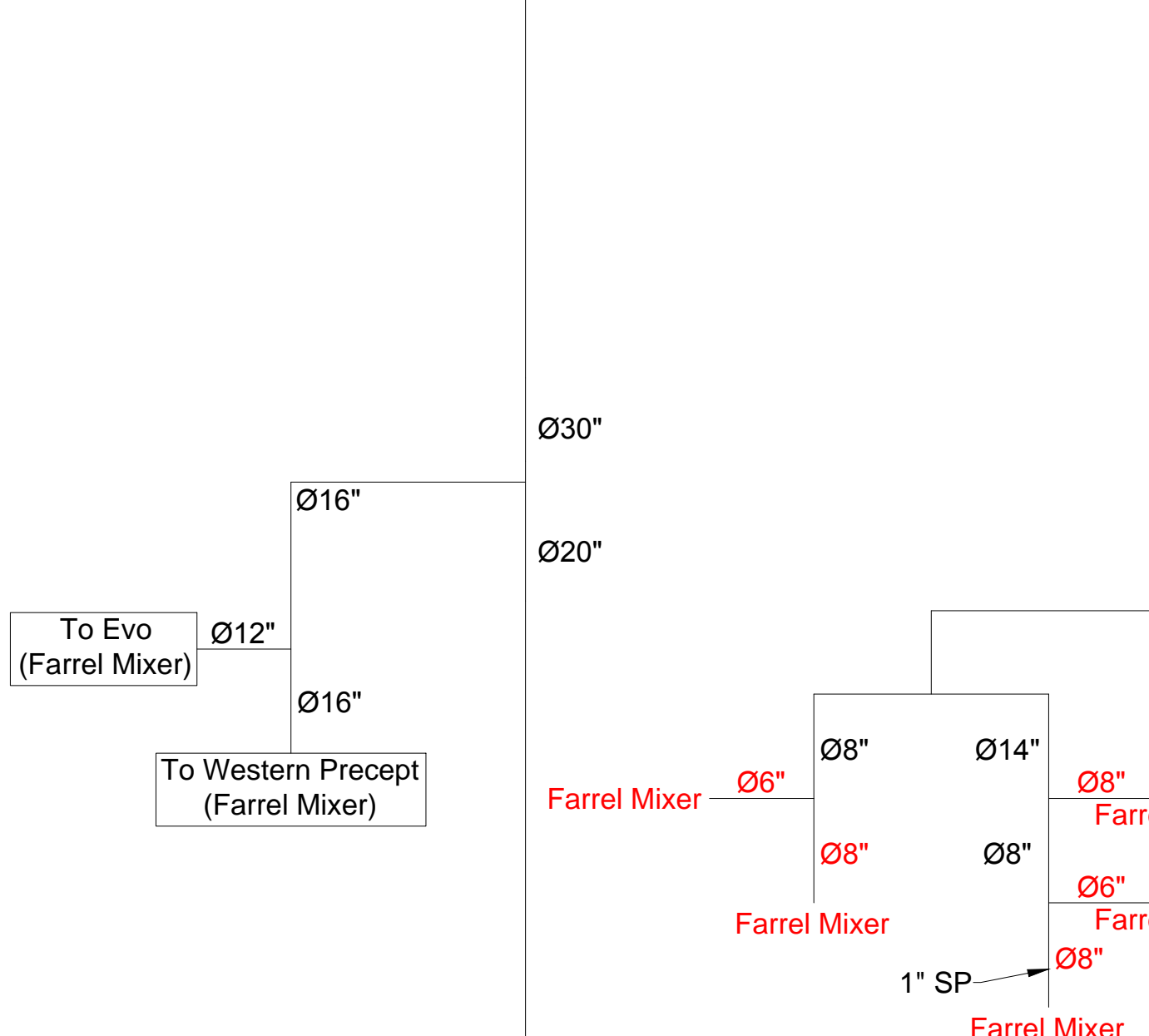
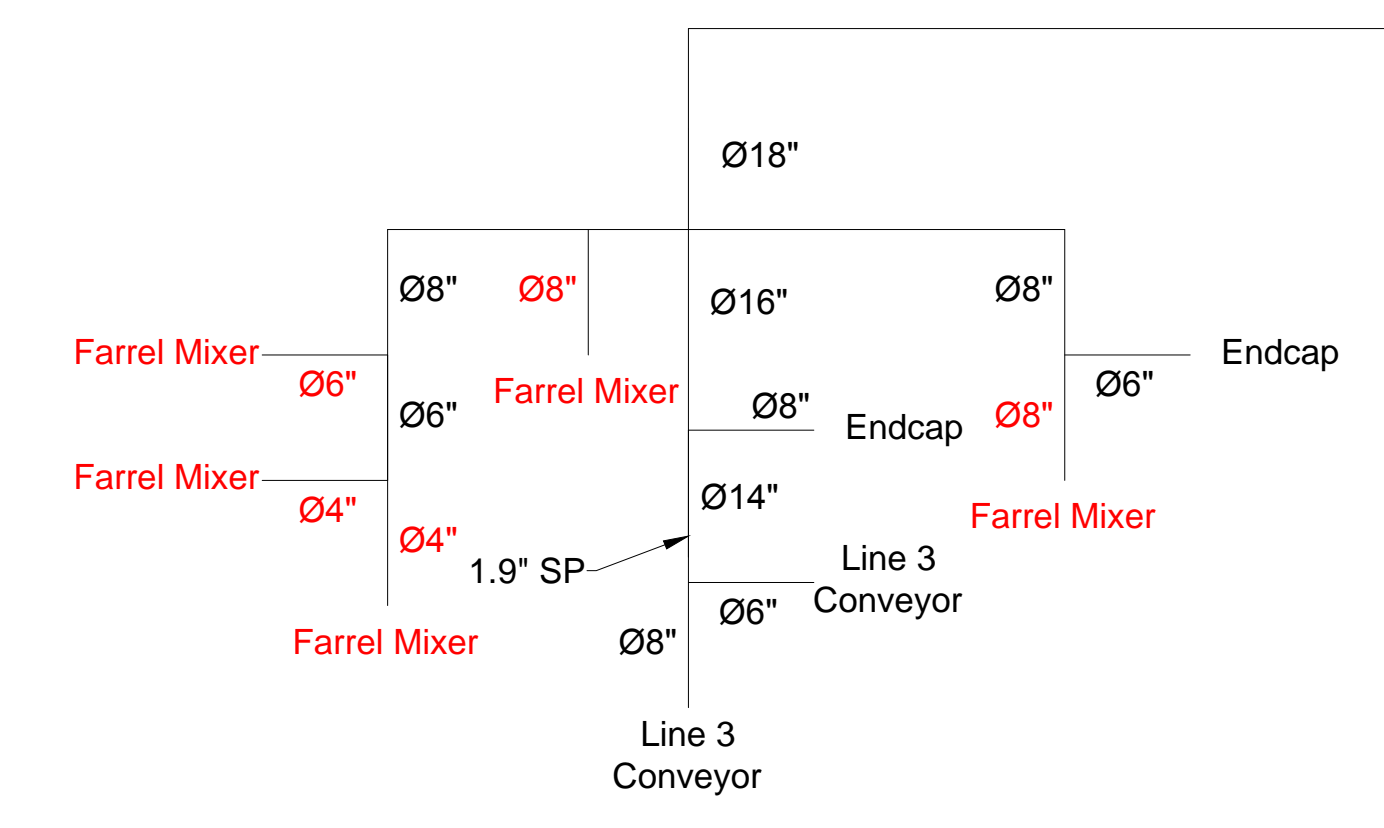
7.00" SP before Collector

2.25" SP before Collector

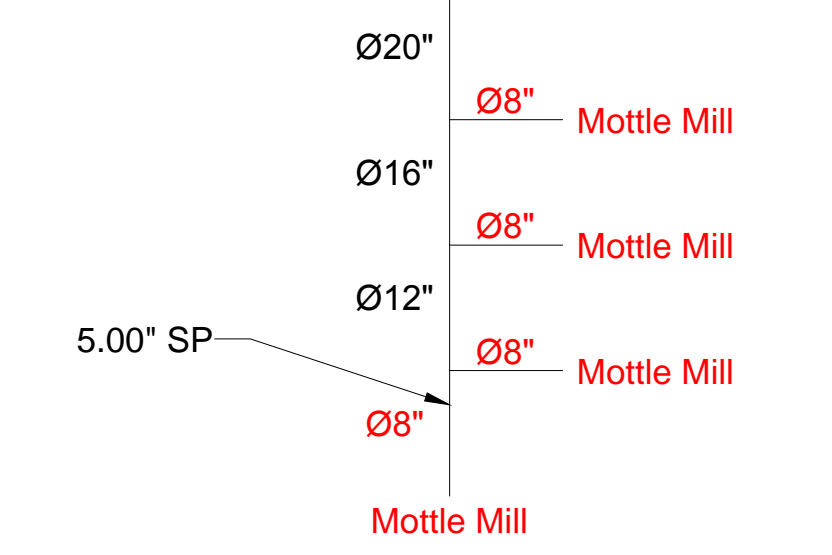
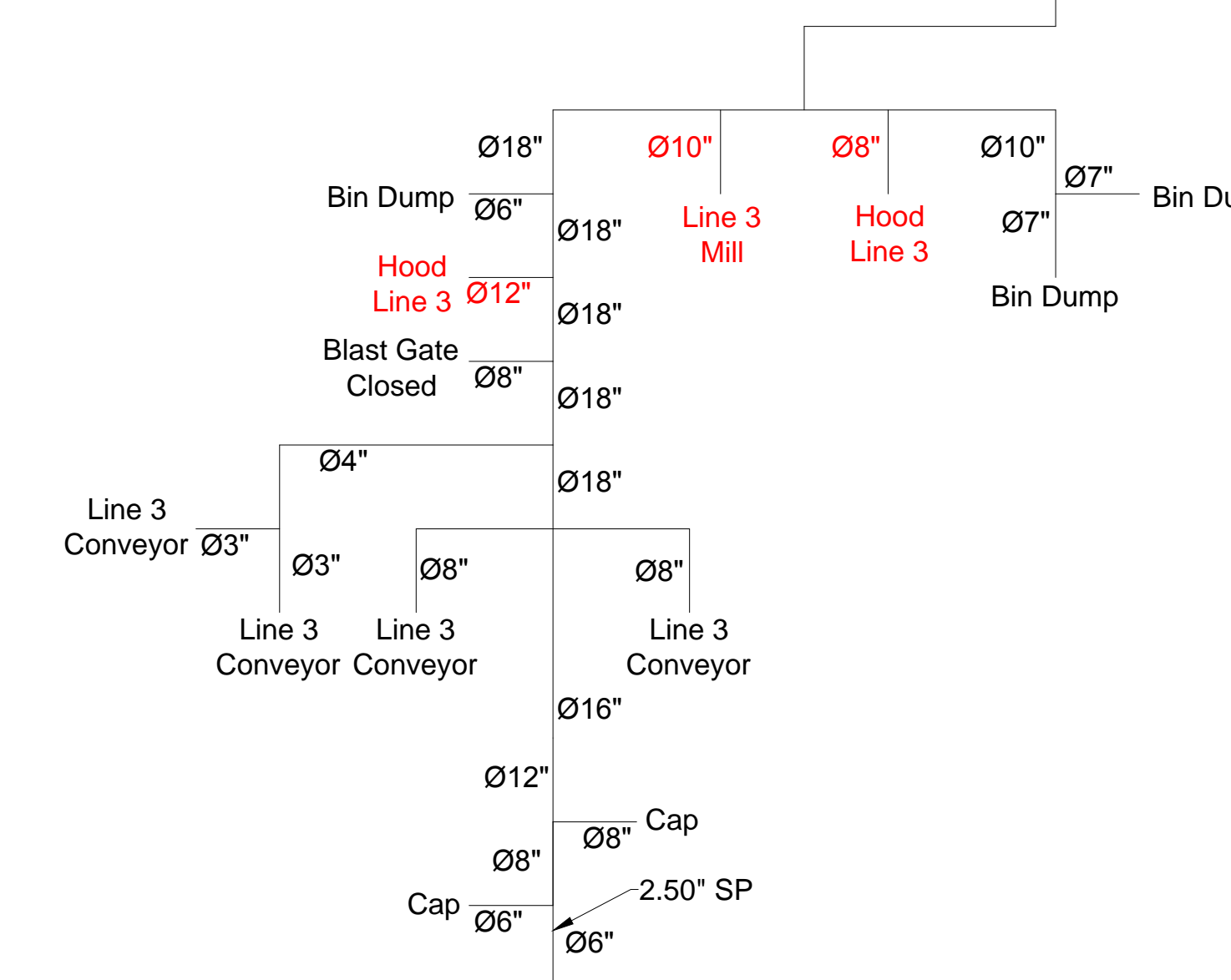
2.50" SP before Collector
7.50" SP before Collector

10.00" SP before Collector

2nd Floor



1st Floor



Line 3

ML-Line

Line 2

Line 1