



REPRESENTED BY:

TODD AIR SOLUTIONS  
101 E FISHER ST, 3rd FLOOR  
SALISBURY NC 28144  
Phone: 704 630-1101  
Fax: 704 630-0528

DRAWING SUBMITTAL

CUSTOMER:

AVANI ENVIRONMENTAL  
PO BOX 1279  
YOUNGSVILLE, NC 27596

DATE: 4/29/2011

ATTENTION: Mr. Don Justham  
P.O. # 3069  
CFV # 1105072  
REPRESENTATIVE ORDER # CFQ# 186819

         REFERENCE        x   APPROVAL               CORRECTION

DRAWING NO.	DESCRIPTION
- - - -	SPECIFICATION SHEET
HD220R4HM-SHT.7	MODEL: HDBI-220
A27211-01	DISCHARGE FLANGE

REMARKS: 2D AUTOCAD DRAWING INCLUDED.

**SPECIFICATION SHEET**

CFV NO. <b>1105072</b>	CUSTOMER ID NUMBER <b>3566220</b>	PAGE <b>1</b>	
S O L D	<b>AVANI ENVIRONMENTAL PO BOX 1279 YOUNGSVILLE, NC 27596</b>	S H I P	<b>AVANI ENVIRONMENTAL 95 CYPRESS DRIVE YOUNGSVILLE, NC 27596</b>
T O		T O	
	CUSTOMER P.O. NUMBER <b>3069</b>	BUYER <b>MR. DON JUSTHAM</b>	SCHEDULED SHIP DATE <b>Approval</b>

MARKS  
**SO#: 17147**

SHIP VIA <b>AAA Cooper/R&amp;L/YRC</b>				REPRESENTATIVE <b>TODD AIR SOLUTIONS</b>				REP. ORDER NO. <b>CFQ# 186819</b>		SHIPPING CHARGES <b>Prepaid &amp; Add</b>	
QTY. <b>1</b>	DESCRIPTION <b>HEAVY DUTY BI BLOWER</b>				MODEL <b>HDBI-220</b>	ROT <b>CW</b>	DISCH <b>BH</b>	ARR <b>4HM</b>	WHEEL/PROP <b>SQBI 55%</b>	INLET	
MOTOR DATA	HP <b>7-1/2</b>	RPM <b>1750</b>	PH <b>3</b>	CYCLE <b>60</b>	VOLTAGE <b>208-230/460V</b>	FRAME <b>213TC</b>	ENCLOSURE <b>TEFC</b>	SUPPLIED BY <b>CFV</b>	INSTALLED BY <b>CFV</b>		
	CFV MOTOR PART NUMBER <b>375277B</b>								GROOVES	FXD/ADJ	BELT
FAN DATA	DENSITY <b>.075</b>	TEMP. <b>70°F</b>	ALTITUDE	CFM <b>4000</b>	SP <b>6.000</b>	RPM <b>1750</b>	BHP <b>5.610</b>	MOTOR SHEAVE		BUSHING	
AT OPERATING CONDITIONS											
MOTOR VENDOR MODEL NUMBER <b>VM3710T-M8A</b>									FAN SHEAVE		BUSHING

**2D CAD Drawings, Approval Print**

**Complete Motor Description:**

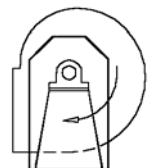
**MTR, 7-1/2 HP, 1750 RPM, 3PH, 60Hz, 208-230/460V, TEFC, EPA Act Eff, CFRB, 213TC, 1.15 SF, F Insul., 40C Amb., F1 Box, Steel frame, Drip Cover, FOR VERTICAL SHAFT DOWN POSITION ONLY, Baldor**

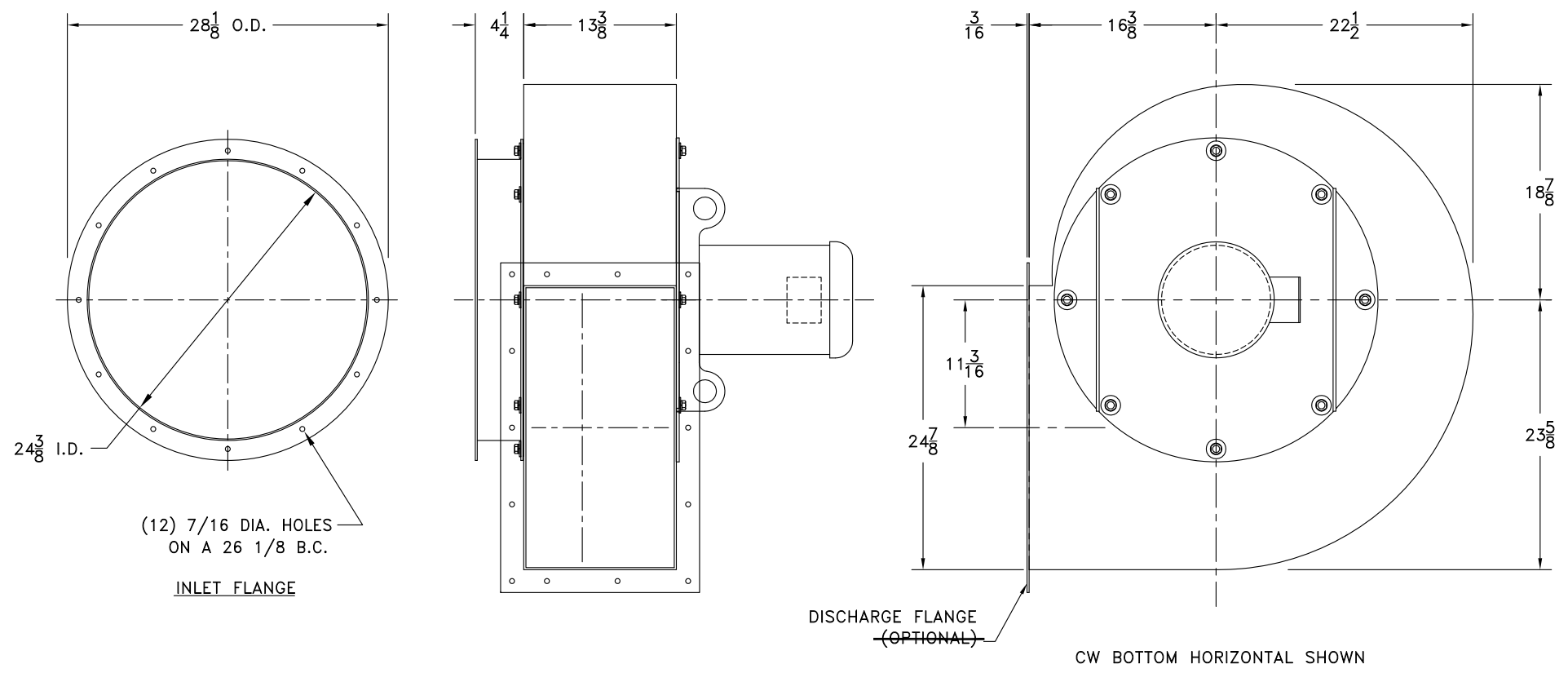
**Maximum allowable wheel speed at 70°F is 2115 RPM**

**CLASS II WHEEL CONSTRUCTION  
DRILL DISCHARGE FLANGE STANDARD  
DRILL INLET FLANGE STANDARD BOLT CIRCLE ON-CENTERS  
TEFLON SHAFT SEAL  
Avani Blue PAINT**

**Estimated Shipping Weight: 594 pounds**

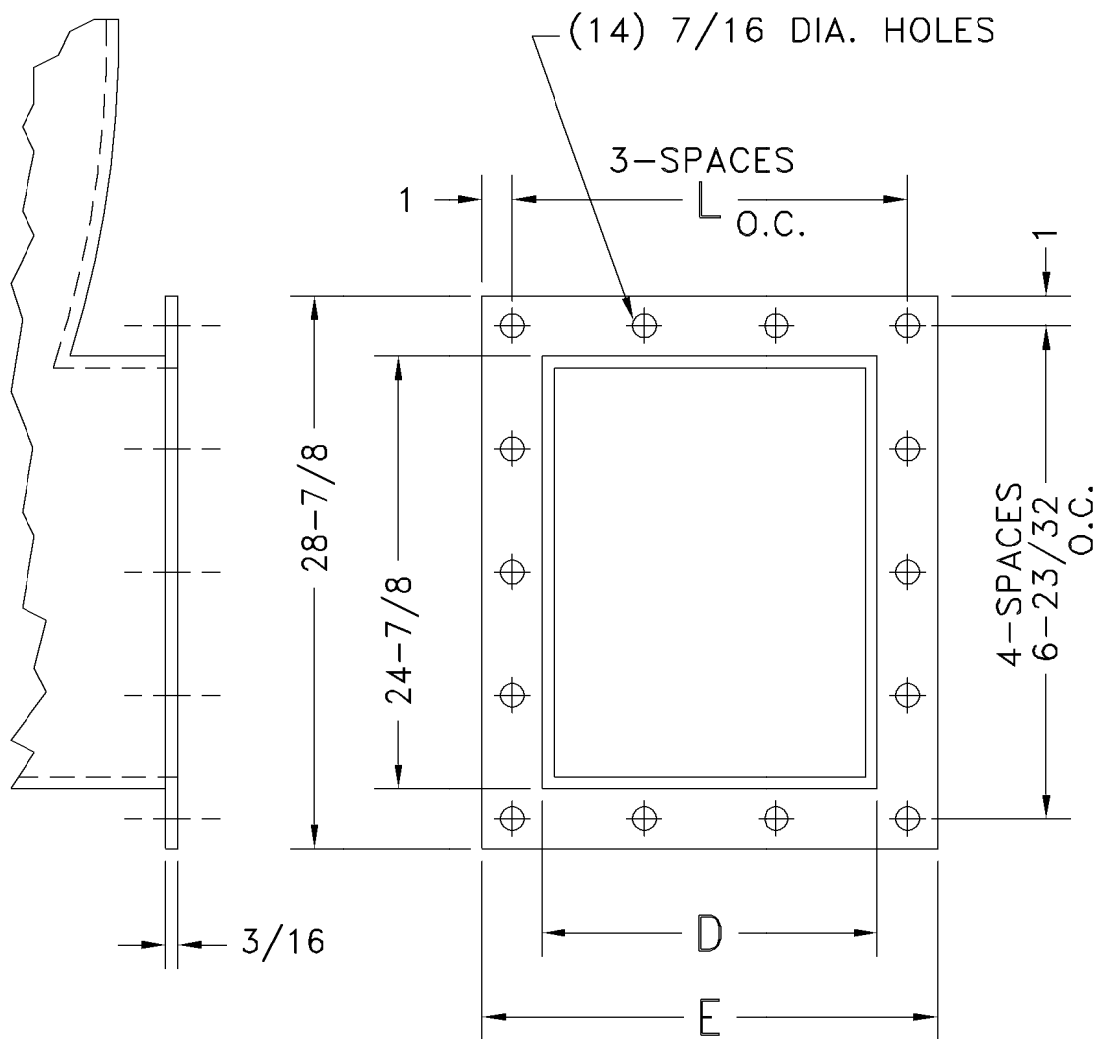
**Submittal Email: [djustham@avanienvironmental.com](mailto:djustham@avanienvironmental.com)**





- NOTES:  
 1. MOTOR: 213TC-215TC FRAME.  
 2. SEE DWG. A27211-01 FOR DISCHARGE FLANGE.  
 3. PLUG STYLE BASE.

				SUPERSEDES:		TOLERANCES: FRACTIONS ± 1/8 ANGLES: ± 1° DECIMALS: X.XXX = ±0.005 X.XX = ±0.060 X.X = ±0.120 ALL DIMENSIONS IN INCHES UNLESS OTHERWISE SPECIFIED		SCALE: FULL IN CAD		<b>cincinnati fan</b> 7697 SNIDER ROAD MASON, OHIO 45040	
				SIMILAR TO:		DATE: 4/29/11		DR. BY: JH			
NO.	DESCRIPTION	DATE	INITIALS	MATERIAL:		ASSEMBLY		DRAWING NO.		SHEET	REV.
	REVISIONS							<b>A</b> HD220R4HM		Z_of_	



% WIDTH	D	E	L
105	17-5/16	21-5/16	6-7/16
100	16-7/8	20-15/16	6-5/16
95	16-1/2	20-9/16	6-3/16
90	16-1/8	20-3/16	6-1/16
85	15-3/4	19-13/16	5-15/16
80	15-5/16	19-3/8	5-25/32
75	14-15/16	19	5-21/32
70	14-9/16	18-5/8	5-17/32
65	14-3/16	18-1/4	5-13/32
60	13-3/4	17-13/16	5-9/32
<del>X</del> 55	13-3/8	17-7/16	5-5/32
50	13	17-1/16	5-1/32
45	12-5/8	16-5/8	4-7/8
40	12-1/4	16-1/4	4-3/4