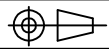


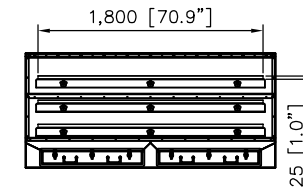
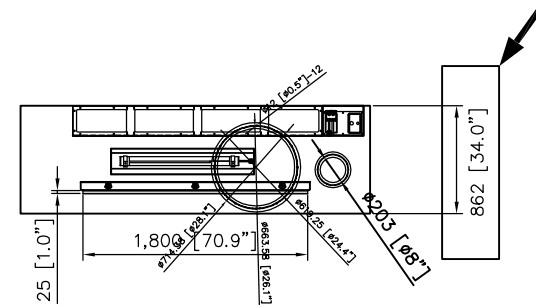
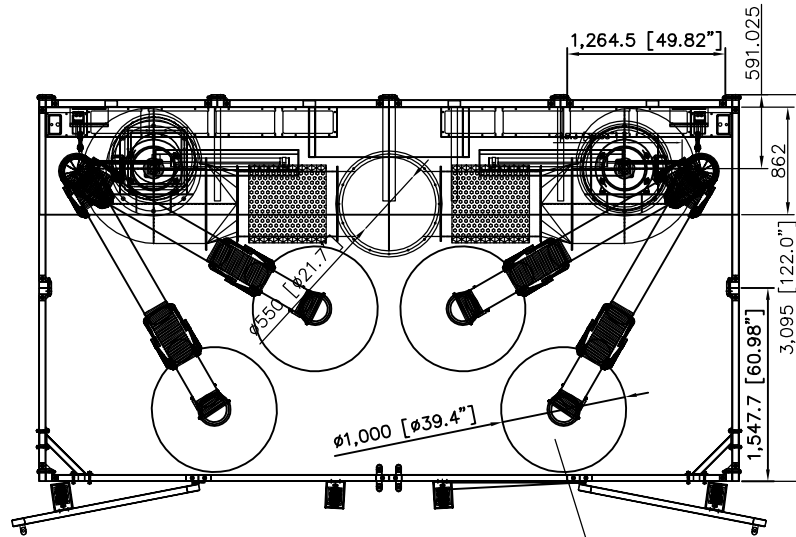
DO NOT SCALE

IF IN DOUBT ASK

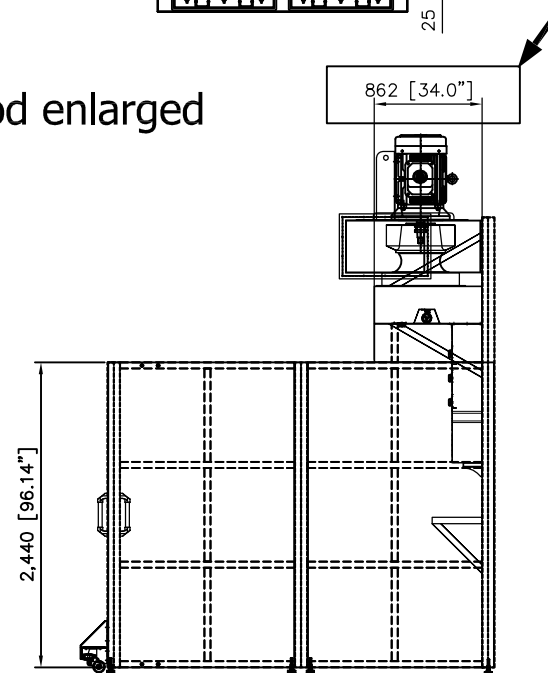
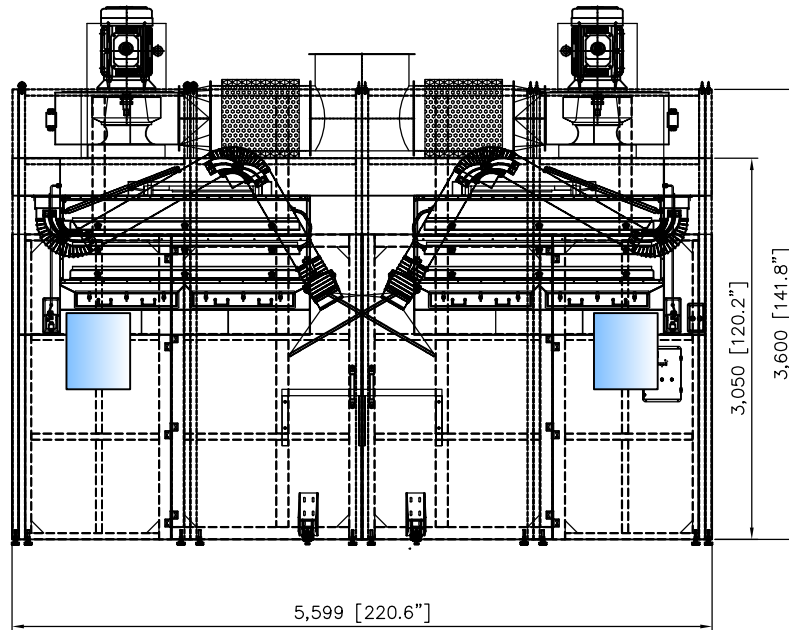


Revisions

Rev	Description	Date	Approved
-----	-------------	------	----------



size of the suction hood enlarged



AVANI ENVIRONMENTAL INTL. INC. Sales Department  
 95 Cypress Drive (919) 570-2862  
 Youngsville, NC 27596 info@avanienvironmental.com

	Date	Name
Drawn by:	2011-04-19	***
Checked by:		

Part Number:  
 WB-18x10P  
 Amtrak, Seattle

Title:  
**WB-18x10P (po# 3068)**

The drawings, AutoCAD, 3-D Models, and specifications are the property of Avani Environmental Intl. Inc. (AE) and may not be reproduced, distributed, modified, or otherwise used, except provided herein, without the express written permission of AE.

Size  
**A**

Scale  
 1 = 25

Drawing Number:  
**WB-18-1012-1**