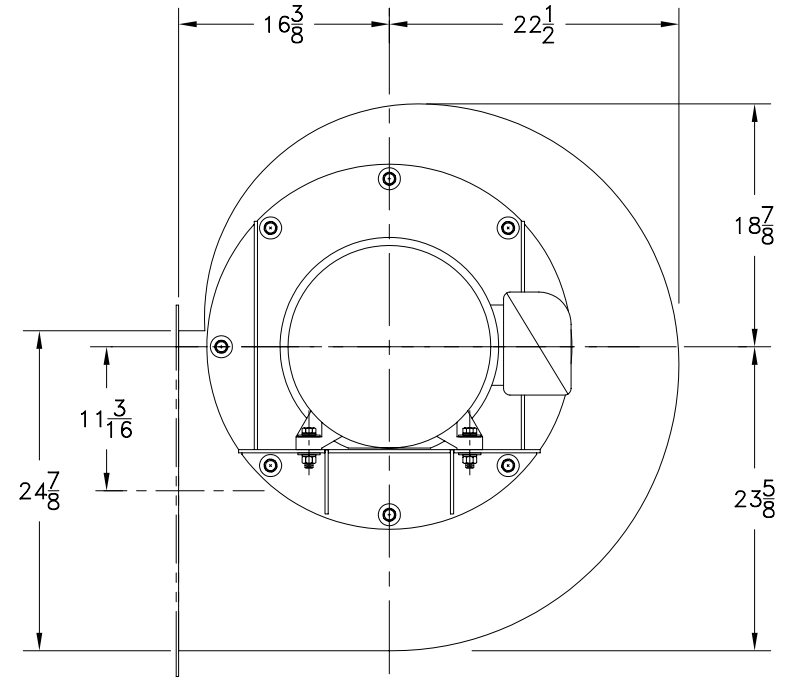


OPTIONAL DISCHARGE FLANGE
SEE NOTE 2

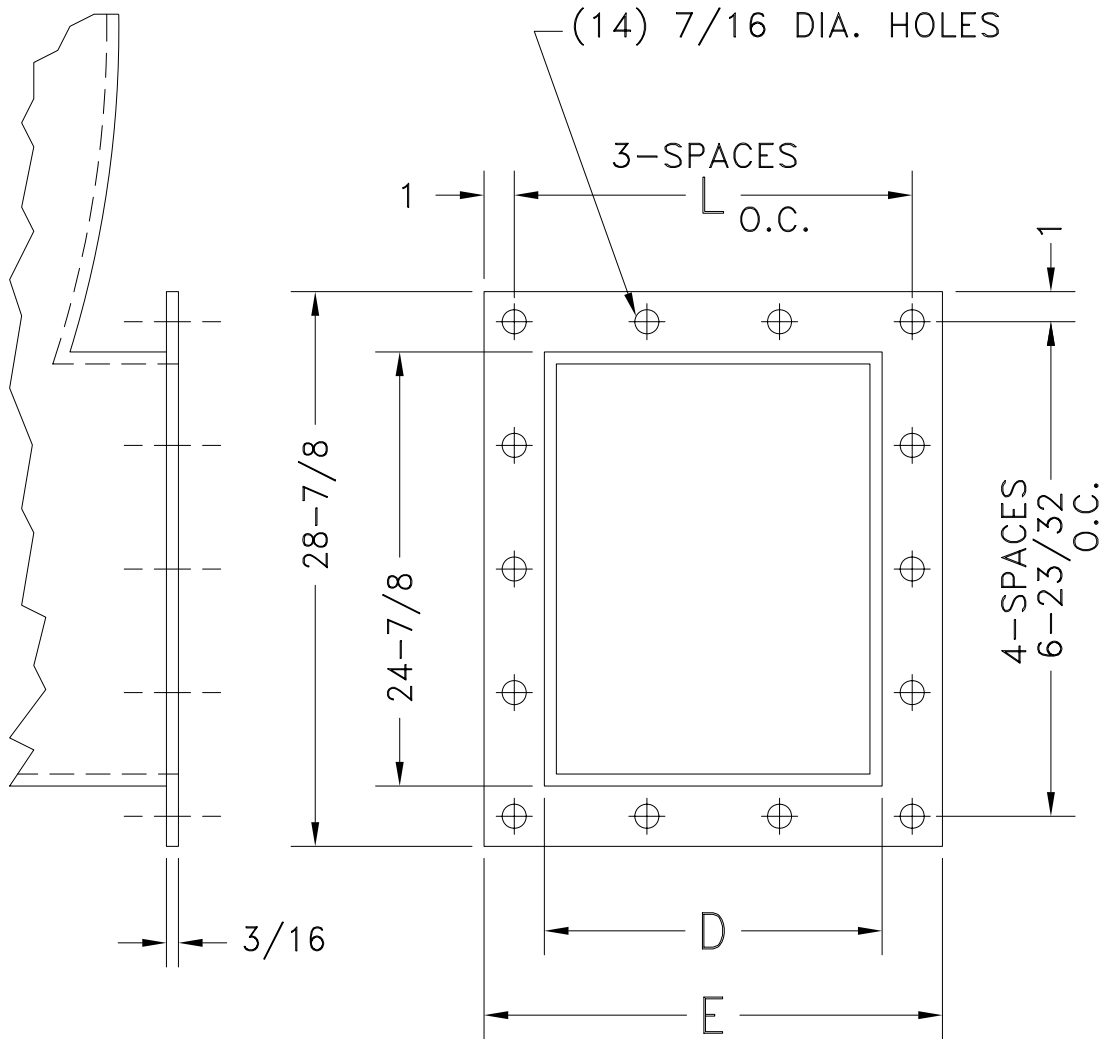
% WIDTH	D
100	16-7/8
95	16-1/2
90	16-1/8
85	15-3/4
80	15-5/16
75	14-15/16
70	14-9/16
65	14-3/16
60	13-3/4
55	13-3/8
50	13
45	12-5/8



CLOCKWISE ROTATION BOTTOM
HORIZONTAL DISCHARGE SHOWN

NOTES:

1. MOTOR FRAME RANGE 182T-326T.
2. SEE DRAWING 27211-01 FOR OPTIONAL DISCHARGE FLANGE DETAILS.

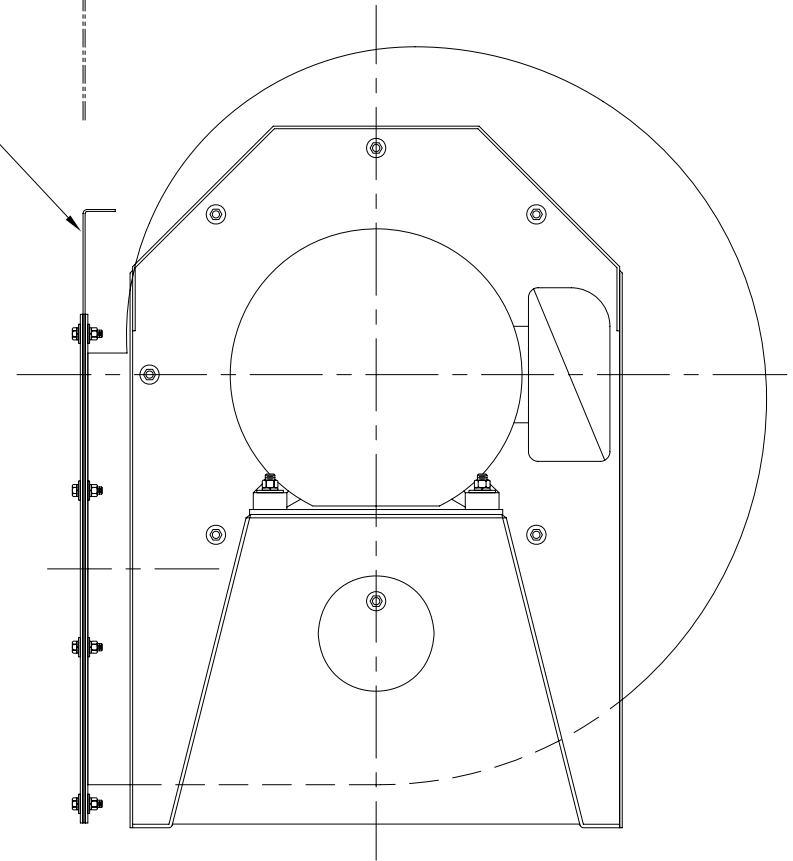
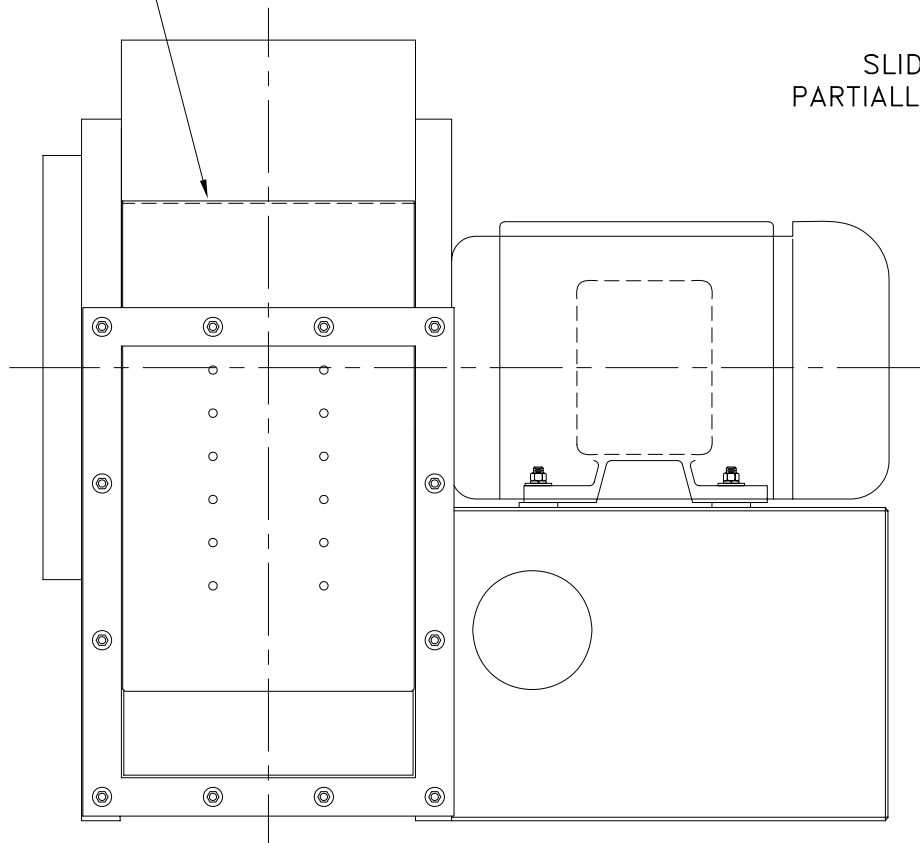


% WIDTH	D	E	L
105	17-5/16	21-5/16	6-7/16
100	16-7/8	20-15/16	6-5/16
95	16-1/2	20-9/16	6-3/16
90	16-1/8	20-3/16	6-1/16
85	15-3/4	19-13/16	5-15/16
80	15-5/16	19-3/8	5-25/32
75	14-15/16	19	5-21/32
70	14-9/16	18-5/8	5-17/32
65	14-3/16	18-1/4	5-13/32
60	13-3/4	17-13/16	5-9/32
55	13-3/8	17-7/16	5-5/32
50	13	17-1/16	5-1/32
45	12-5/8	16-5/8	4-7/8
40	12-1/4	16-1/4	4-3/4

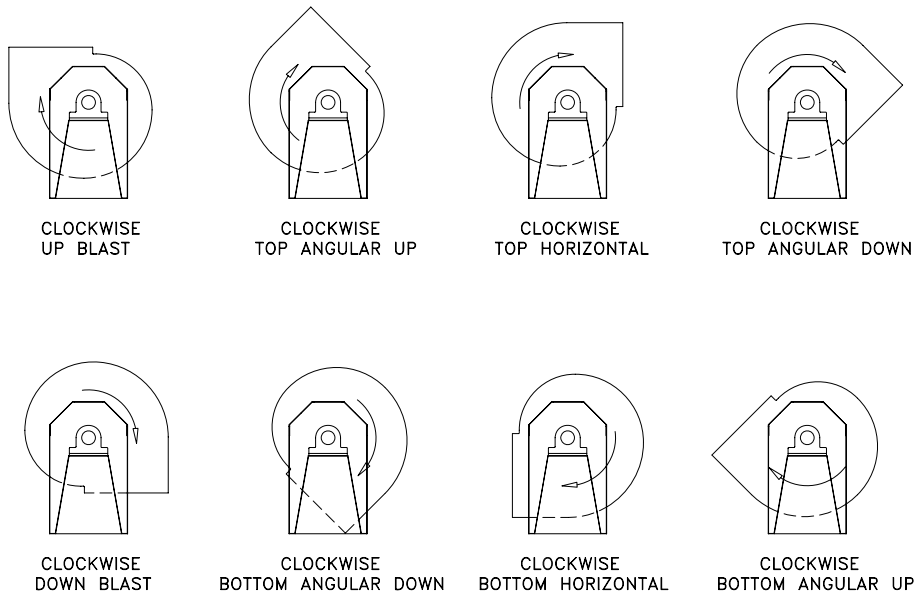
SLIDE GATE DAMPER
(SHOWN PARTIALLY OPEN)

SLIDE GATE
FULLY OPEN

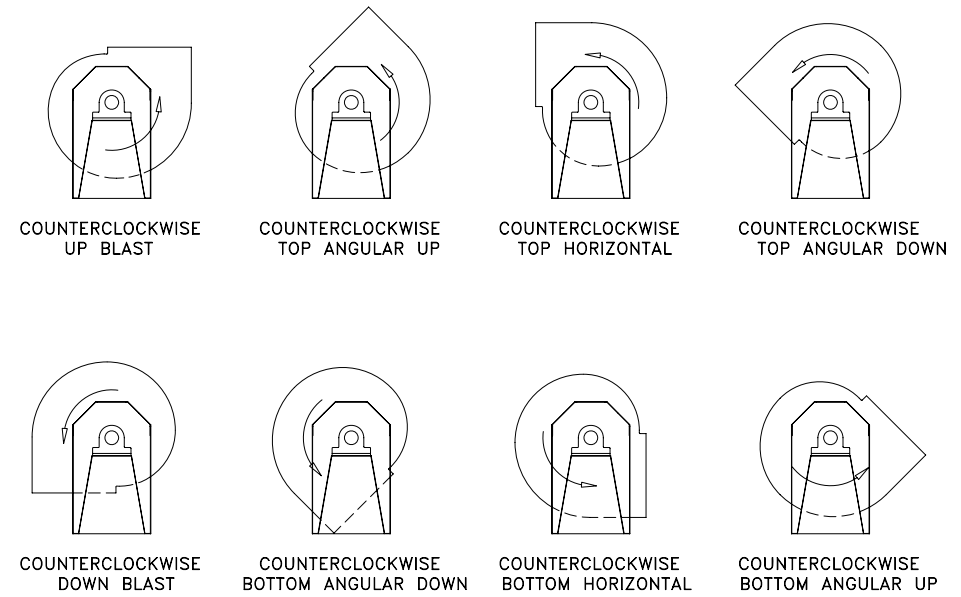
SLIDE GATE
PARTIALLY OPEN



CLOCKWISE ROTATION



COUNTERCLOCKWISE ROTATION



- NOTES:
1. DIRECTION OF ROTATION IS DETERMINED FROM DRIVE SIDE OF FAN.
 2. SAME AS AMCA STANDARD 99-2406-83.