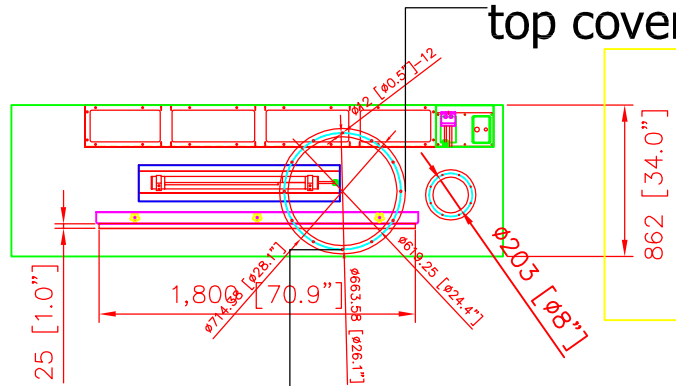


flange adhered below the top cover plate



holes drilled & threaded from the top cover plate downward through the flange for welded nuts on the inside of the mounting holes for attaching the blowers

