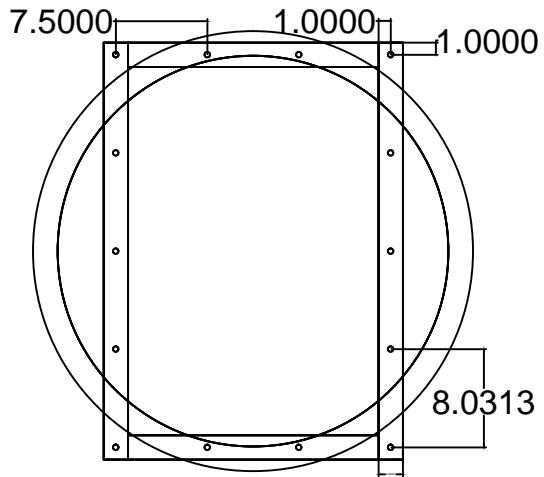
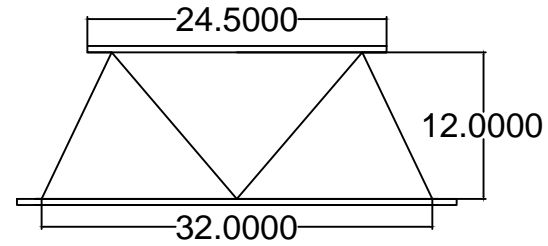


Amstead Rail 21355

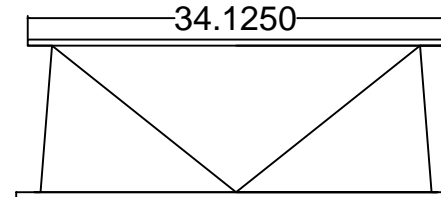
Fan Transition Rec-to-Round



Top View



Side View



Back View

Avani Environmental Intl. Inc.
 95 Cypress Drive
 Youngsville, NC 27596
 P# 919-488-2862 F# 919-488-2863

Avani

Project: Amstead Rail	
Drawing: Fan Transition Rec-to-Round	
Date: 7/23/14	Drawn by: MAC
Sheet No: 1 OF 1	Rev: 1