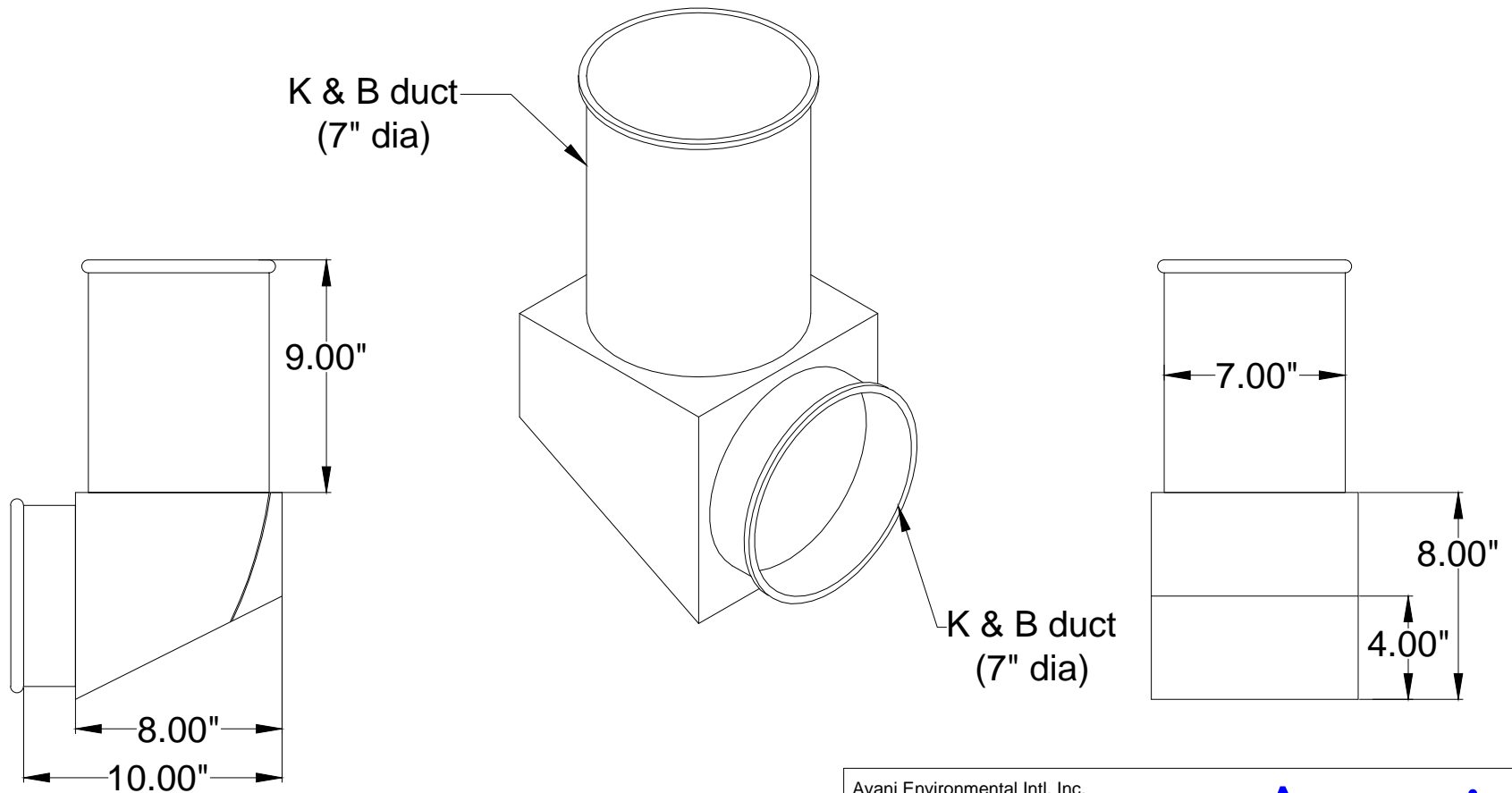


90° Box K&B Duct End



Avani Environmental Intl. Inc.
 95 Cypress Drive
 Youngsville, NC 27596
 P# 919-570-2862 F# 919-570-2863

Avani

Project: Altec Spark Eliminator

Drawing: 90° Box to K&B Duct End

Date: 9-19-12

Drawn by: MDT

Sheet No: 1 OF 1

Rev 0