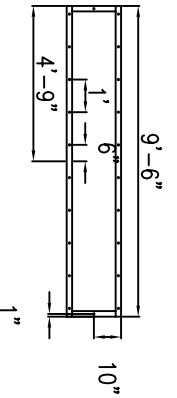
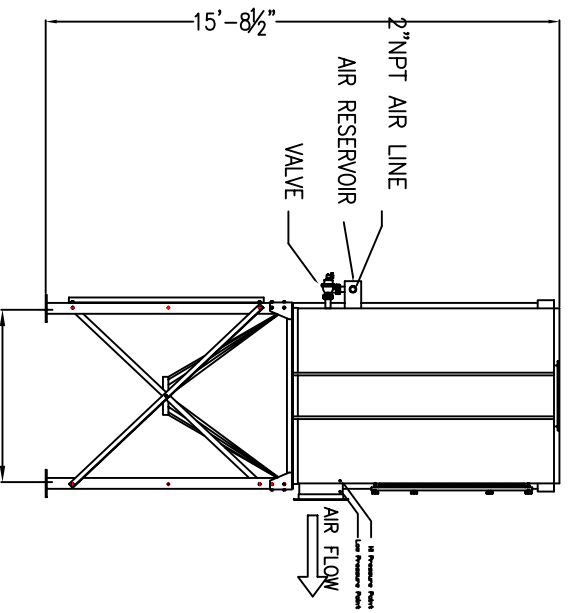
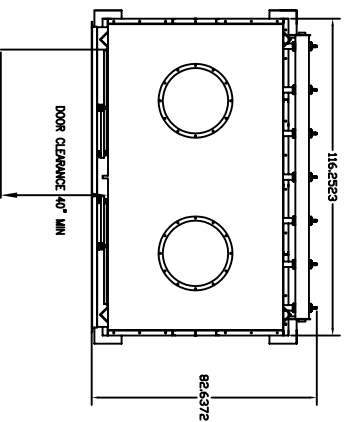


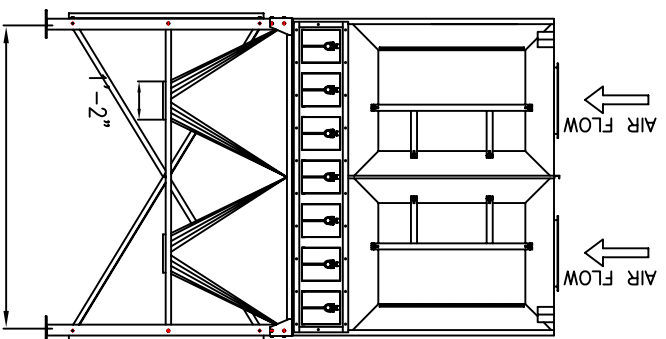
**OUTLET FLANGE DIMENSIONS**



Amtech, LC claims proprietary rights to the material disclosed hereon. This drawing and/or technical information is the property of Amtech, LC and is issued in confidence for use only as authorized, and may not be reproduced or described or shown to others without written permission from Amtech, LC



6 3/4 ANCHOR POINTS CTR TO CTR



11 1/4 ANCHOR POINTS CTR TO CTR

**AMTECH**  
 127 FRANKLIN ROAD  
 RUSSELLVILLE, KY.  
 PHONE 270-726-9654  
 FAX # 270-726-4692

**AT-28**  
 AIR FILTRATION UNIT

OUTLINE DRAWING

DRAWING#	
DATE:	6/22/07
REVISION	
DRAWN BY:	W.R.COX
SCALE:	
MAT'L:	MILD STEEL
GA/TYPE	MISC.
SHIPPING WT.	

**DESIGN TYPE**  
 REMOTE BLOWER,  
 TOP INLETS.