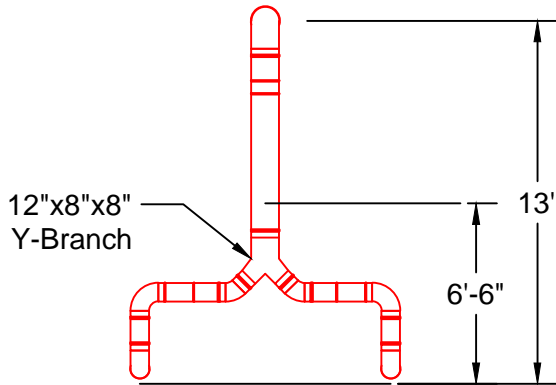
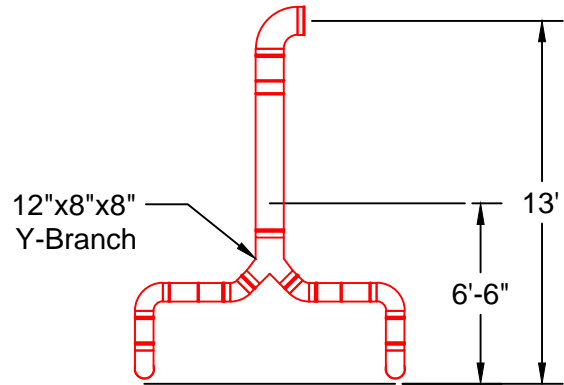


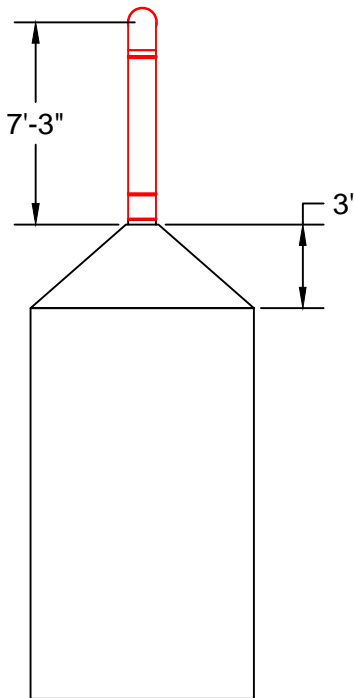
Altec SO21XXX Duct Layout



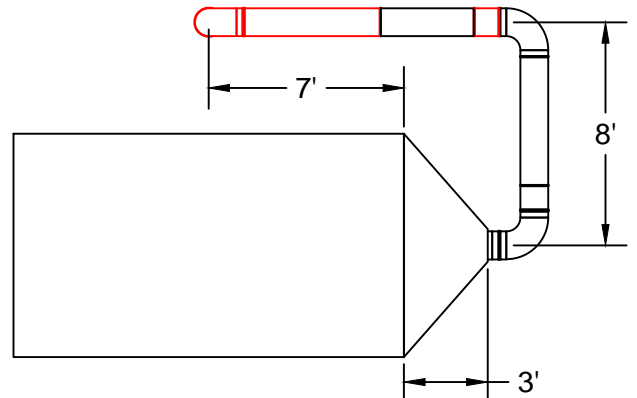
Elevation View - Original Install



Elevation View - Future Install



Plan View - Original Install



Plan View - Future Install

- Duct to Re-use (Red):
- (2) Ø8" 90° Elbows
 - (2) Ø8" 45° Elbows
 - (2) Ø8" Pipe
 - (4) Ø8" Adjustable Sleeves
 - (1) Ø12" X Ø8" X Ø8" Y-Branch
 - (1) Ø12" 90° Elbows
 - (2) Ø12" Pipe
 - (2) Ø12" Adjustable Sleeves
- Duct to Complete Install (White):
- (2) Ø12" 90° Elbows
 - (2) Ø12" Pipe
 - (2) Ø12" Adjustable Sleeves

Avani Environmental Intl. Inc. 95 Cypress Drive Youngsville, NC 27596 P# 919-570-2862 F# 919-570-2863		
Project: Altec SO21XXX		
Drawing: Duct Layout		
Date: 7/10/14	Drawn by: MDT	
Sheet No: 1 OF 1		