

WB-8x8P (2 sets)

w/

SDC-B-10-8 10HP dust collector
(per two booths)

assembly procedure

<for Alstom>

April 15, 2010

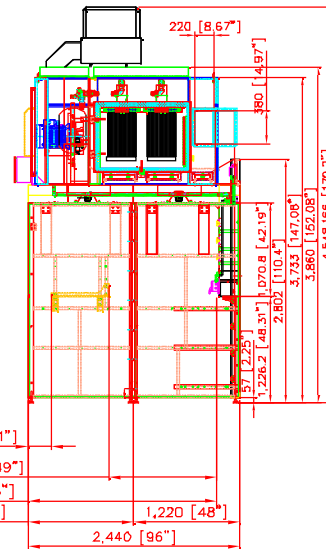
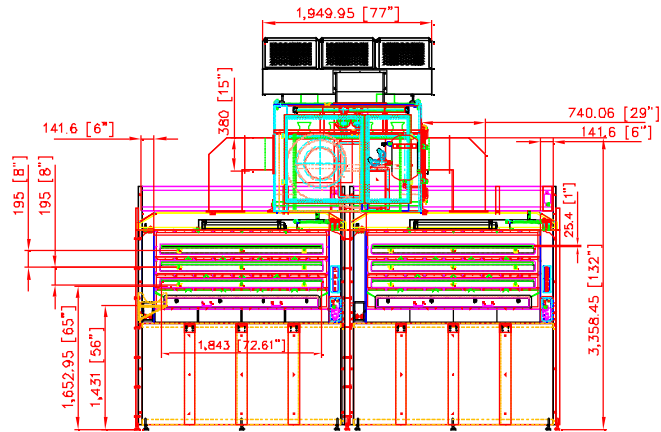
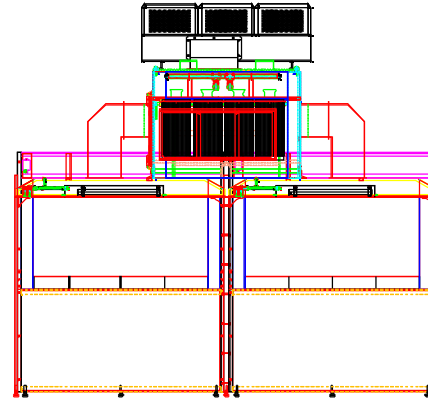
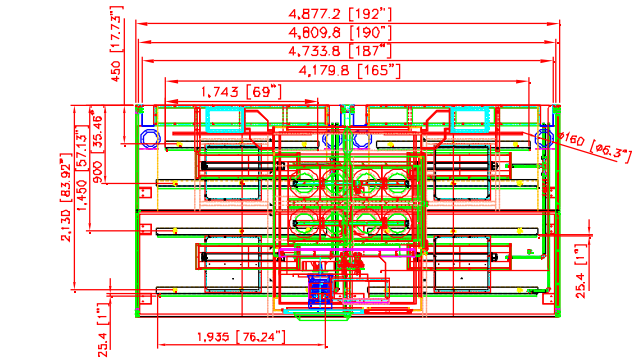


DO NOT SCALE

IF IN DOUBT ASK



| Revisions | | | |
|-----------|-------------|------|----------|
| Rev | Description | Date | Approved |
| | | | |



WB-8x8P PREMIER WELDING BOOTH SPECIFICATIONS

- Hood Dimensions: 96" x 96" x 8.5"
 - Back Draft Dimensions: 2020 x 237 x 910 m/m
 - Hood Inlet Opening: 380 x 200 m/m (per booth)
 - Hood Service Panel: Removable 31 7/8" x 31 7/8" service panel
 - Back Draft Adjustable Inlet Slots: (3) 1" x 72.61"
 - Hood Adjustable Inlet Slots: (3) 1" x 76.24", (1) x 69"
 - Recessed Lights: (2) Explosion Proof Lights (110V, Single Phase, 60 Hz)
 - Adjustable Knobs: (18) 2 7/8" Five Star Twists for back draft; (24) 2 7/8" Five Star Twists for top hood draft
 - Clean Out Drawer: 5.5" x 70.5" with (3) hand twist locks
 - Back Draft Shelf: 6" x 19.9" x 4 pcs (per booth), total: 6" x 79.4"
 - Adjustable Level System: (18) 2 7/8" Feet (maximum adjustment 5"), for 2 booths sit side-by-side
 - Support Structure: 1 7/8" x 4" steel stock welded
 - Panel Construction: 16-gauge welded steel single wall with cross and up bracing
 - hypotenuse corner gusset: (6) 95.7mmL x 116mmW x 123H per booth
 - Welding Curtain Supports: (2) welding curtain brackets
 - Lifting Lugs: (2) Hood mounted lifting lugs to set and move hood or booth
 - Fume Arm Ceiling Supports & Brackets: Built into the hood
 - Fume Arm Cover Plates: (2) cover plates per booth (6 bolt pattern) to match optional fume arm
 - Powder Coated: Oskar Safety Blue Standard (custom colors available)
 - Ten Piece Configuration: (4) side panels, (2) back panels, (2) backdraft assembly, (2) hooddraft assembly.
 - Booths can be mounted back-to-back, side-to-side or both options
 - Electrical Outlets: (2) 110V Outlets (additional single or three phase outlets available)
 - Light Switch: For overhead lights
 - Compressed Air Connection
 - CO2 or Gas Connection: (additional gas lines or compressed lines available)
 - Double Wall Construction (welded)
 - Welded Nuts: Optional locations for J-Hooks
 - Welding Nuts: For wire feeder or welder bracket or brackets
- OPTIONS**
- Adjustable Rear Shelf (solid, grated or cutting table)
 - Corner Shelves
 - Viewing Windows
 - Custom Welding Brackets
 - Foot Lockers
 - Fixtures, Lazy Suzans
 - Any option that can fit inside the booth or on the booth

OSKAR ENVIRONMENTAL, INC.
95 Cypress Drive
Youngsville, NC 27596

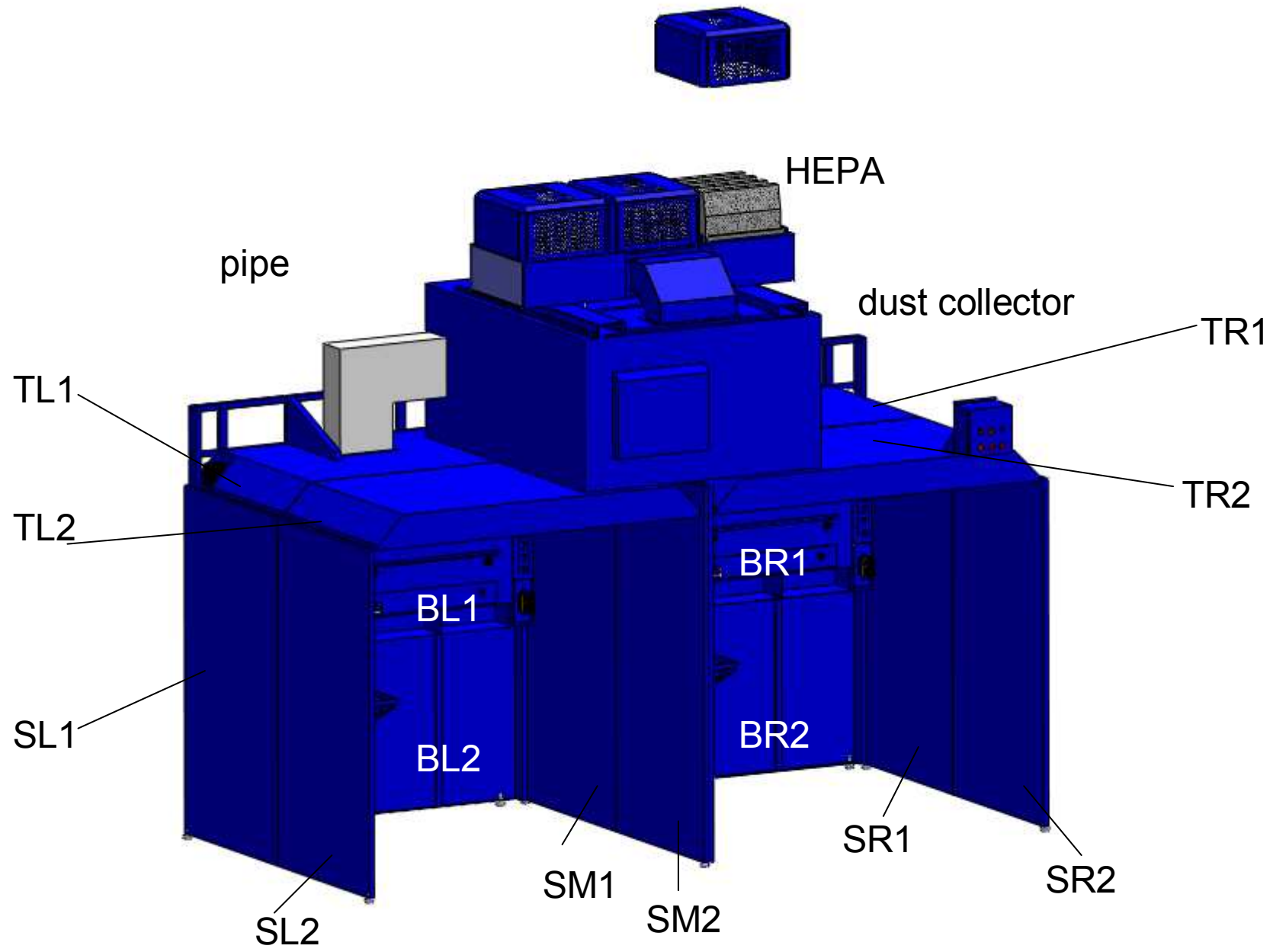
Sales Department
(919) 570-2862
sales@oskarsales.com

| | | | | |
|---|------------|-------|--------------|---------------------------------|
| | Date | Name | Part Number: | Title: |
| Drawn by: | 2010-02-04 | XXXXX | Alstom | WB-8x8P(2 sets) with SDC-B-10-8 |
| Checked by: | | | | |
| This drawing is confidential and is the exclusive property of Oskar Environmental. No unauthorized use/copy or disclosure is to be made and it is returned whenever required. | | | | Drawing Number: |

Size
A

Scale
1 = 35

Drawing Number:
WB-8-8P-02





BL1

J

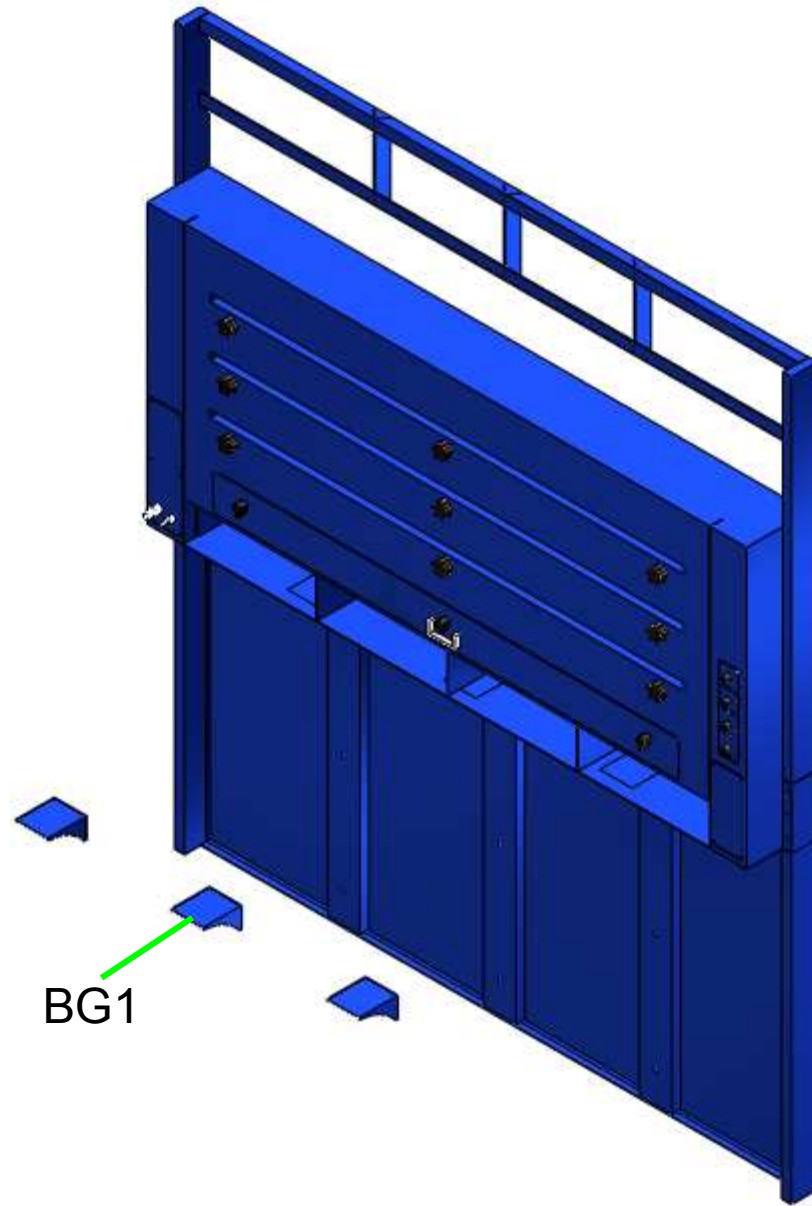


BL1

BL2

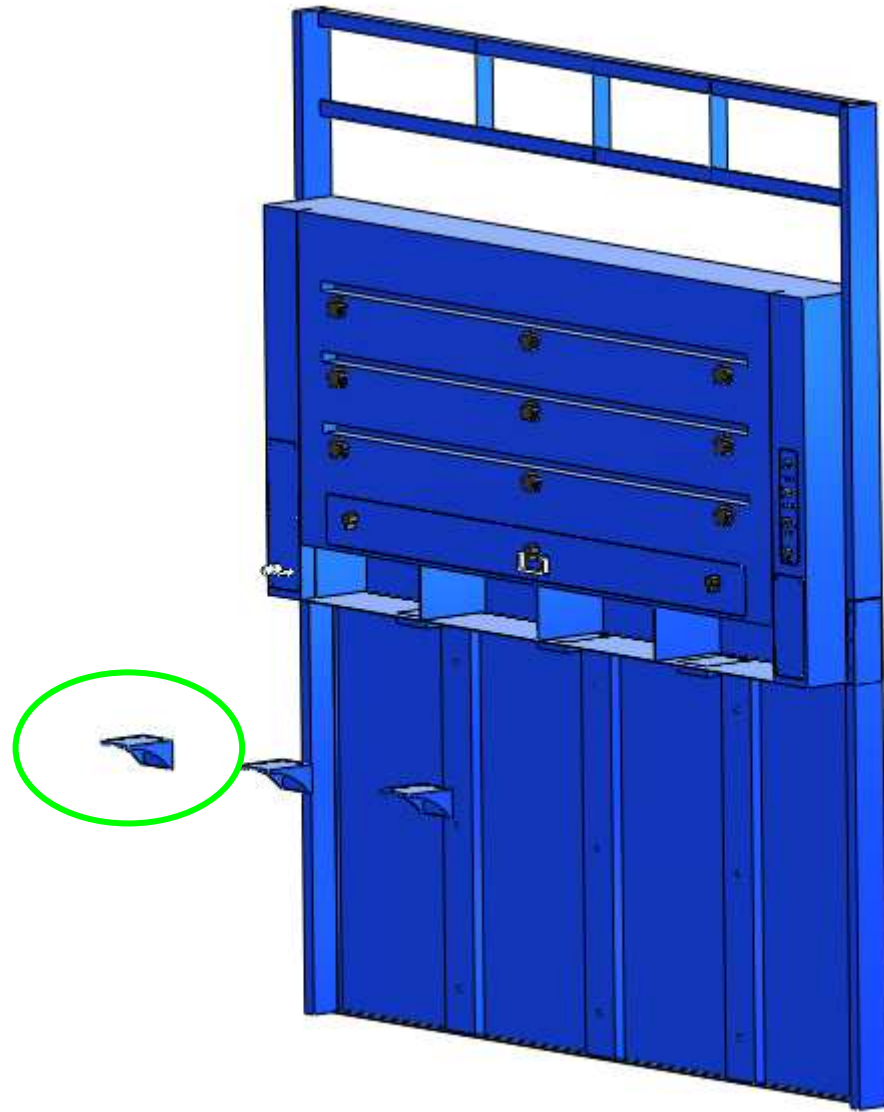


J



BG1

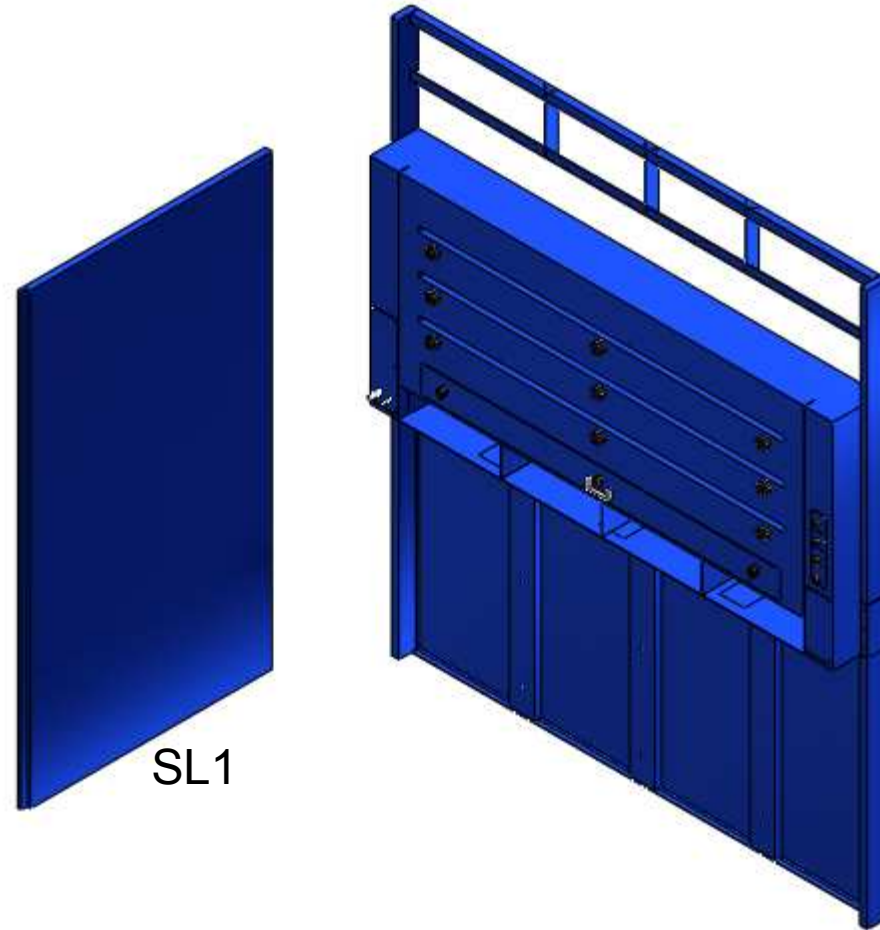
H



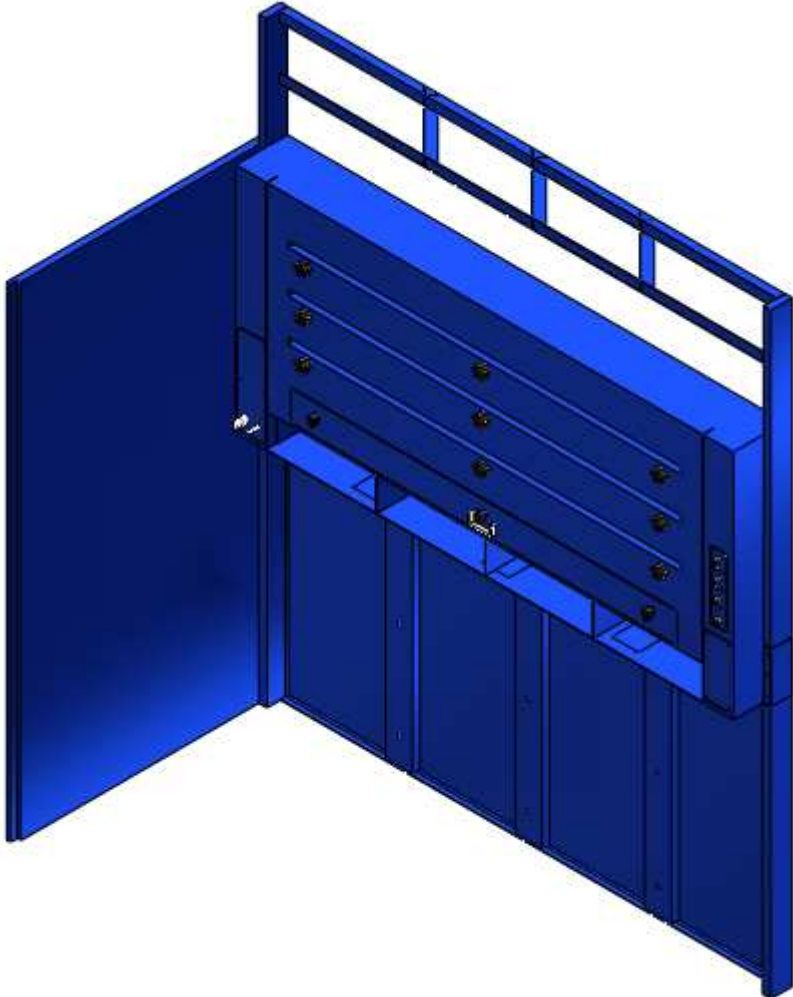
H

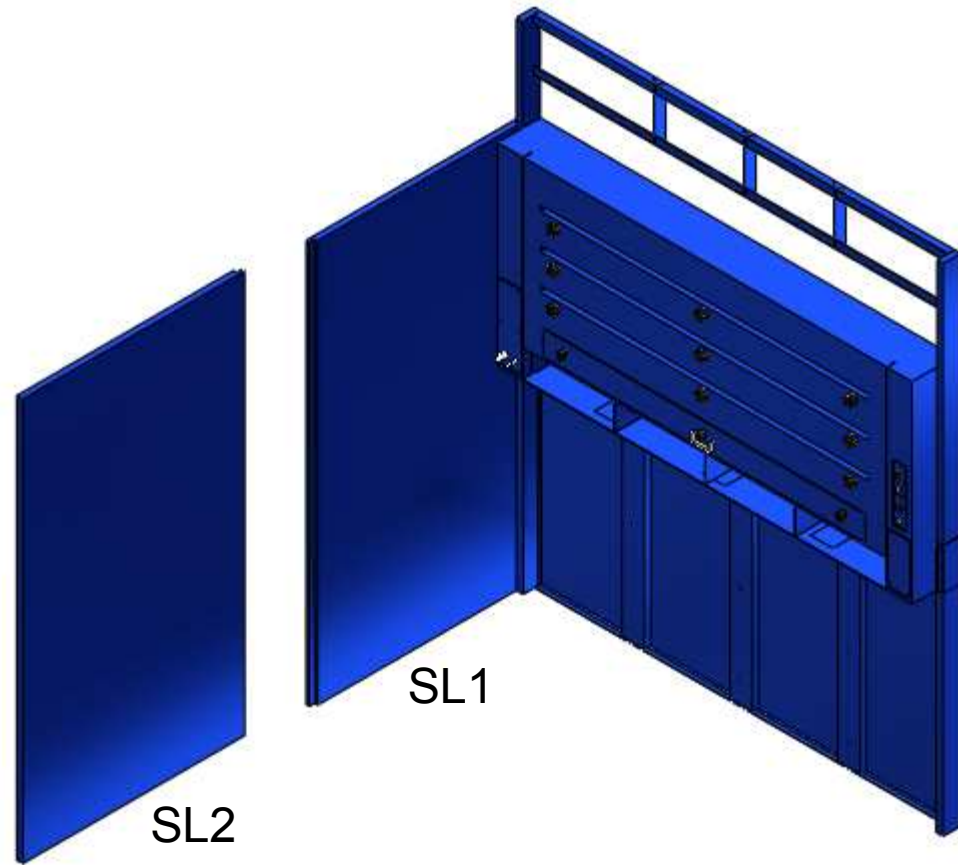






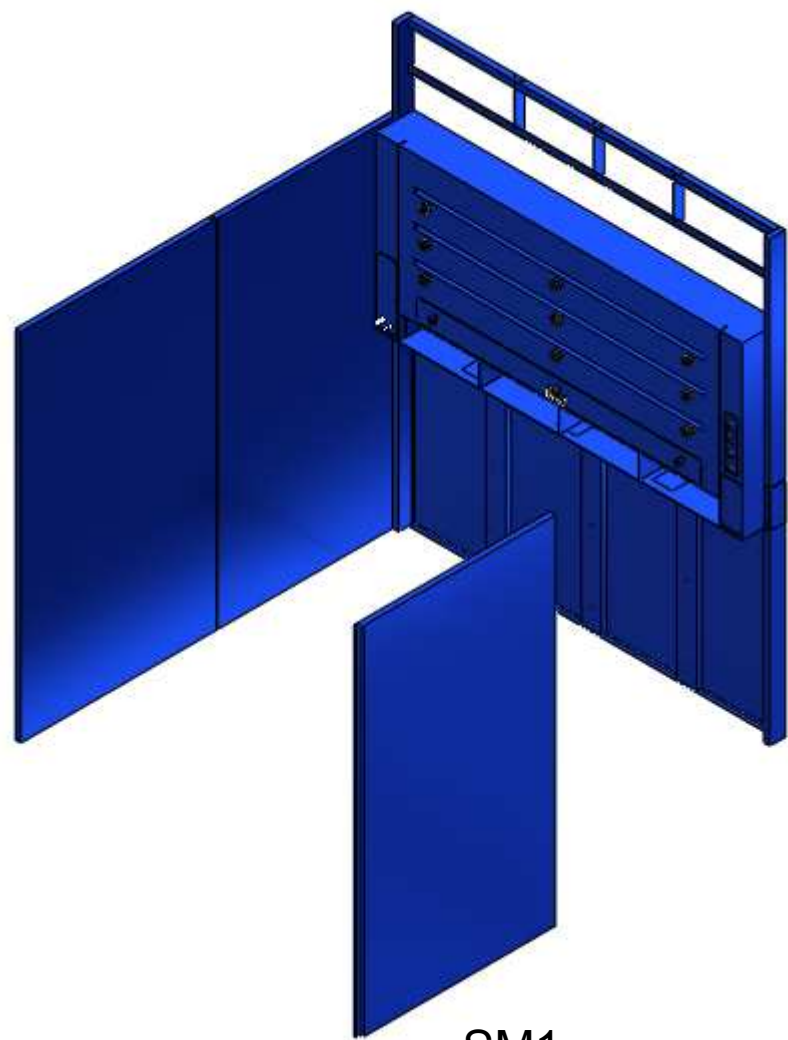
A





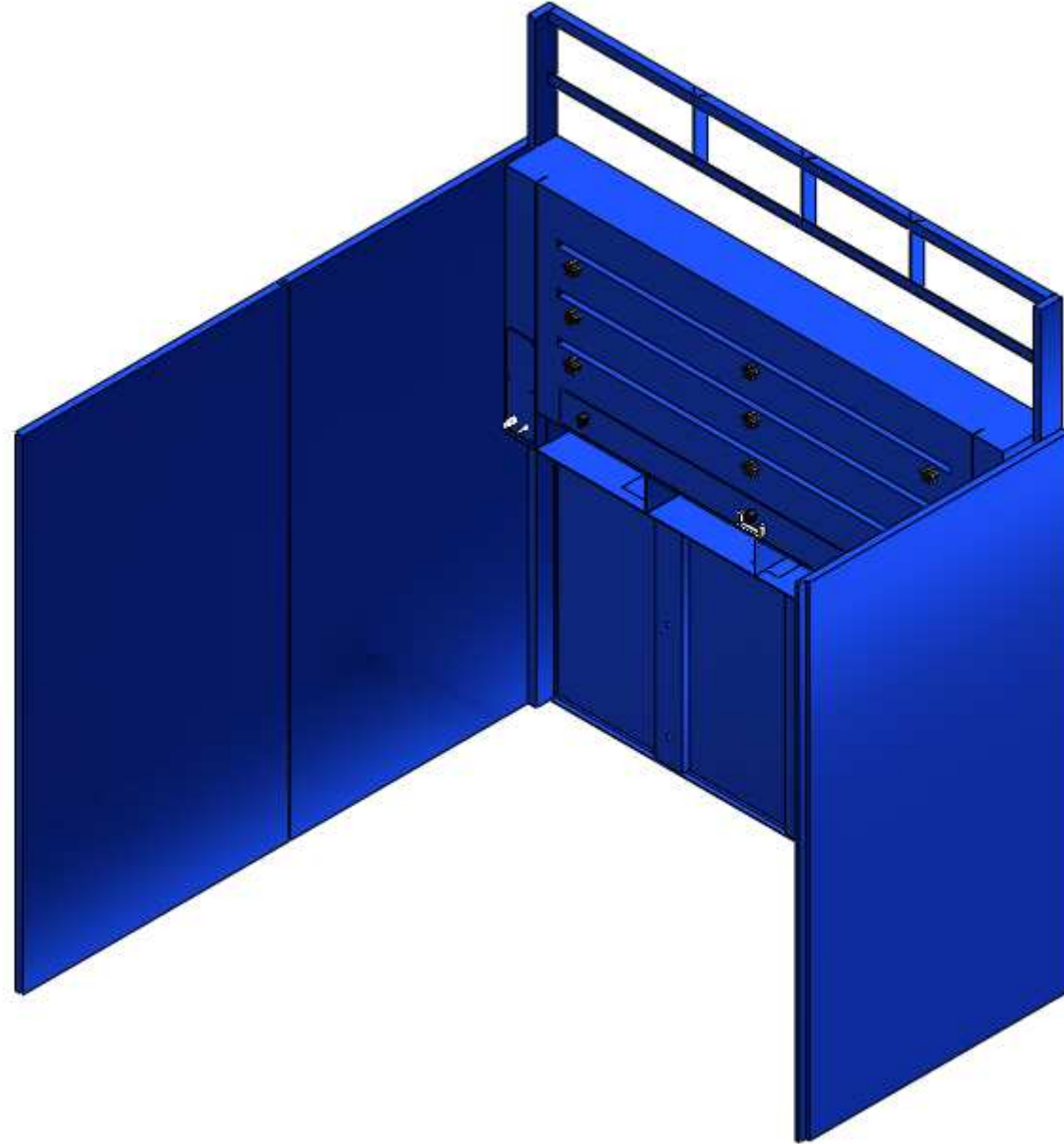
B



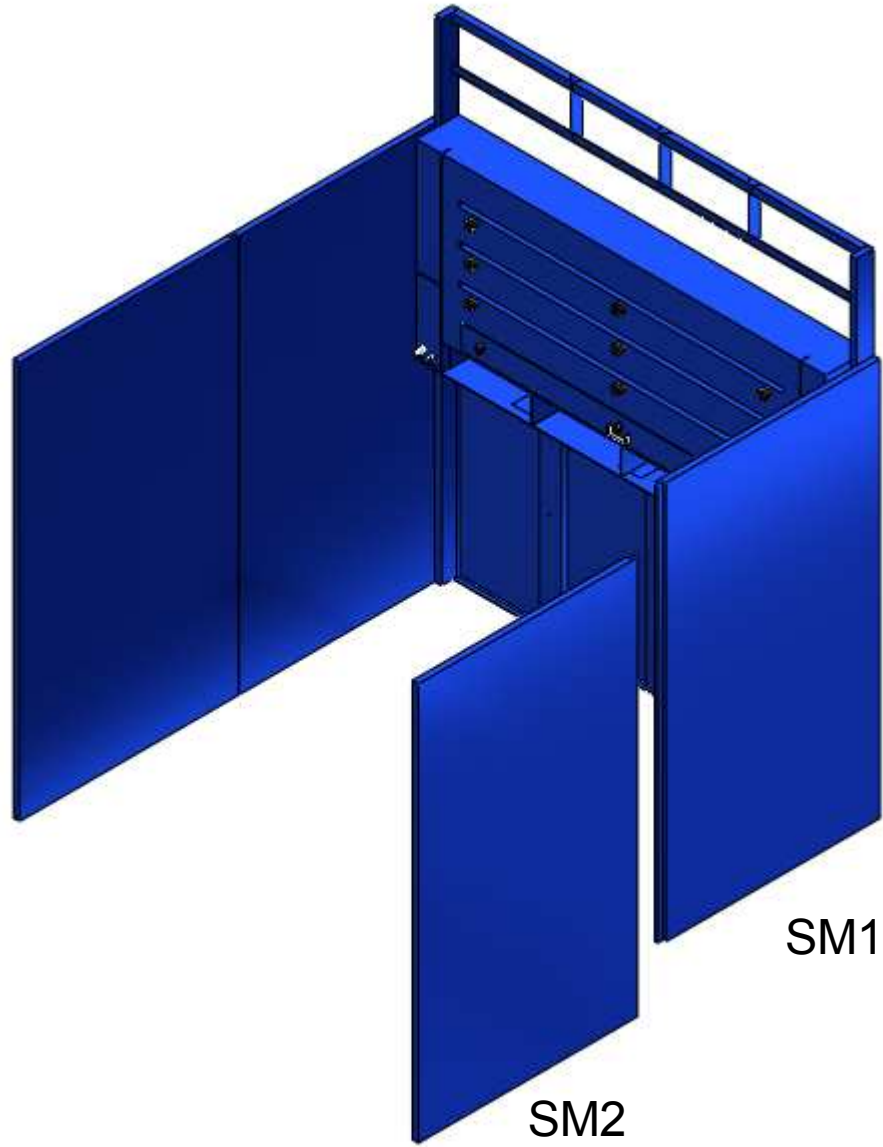


SM1

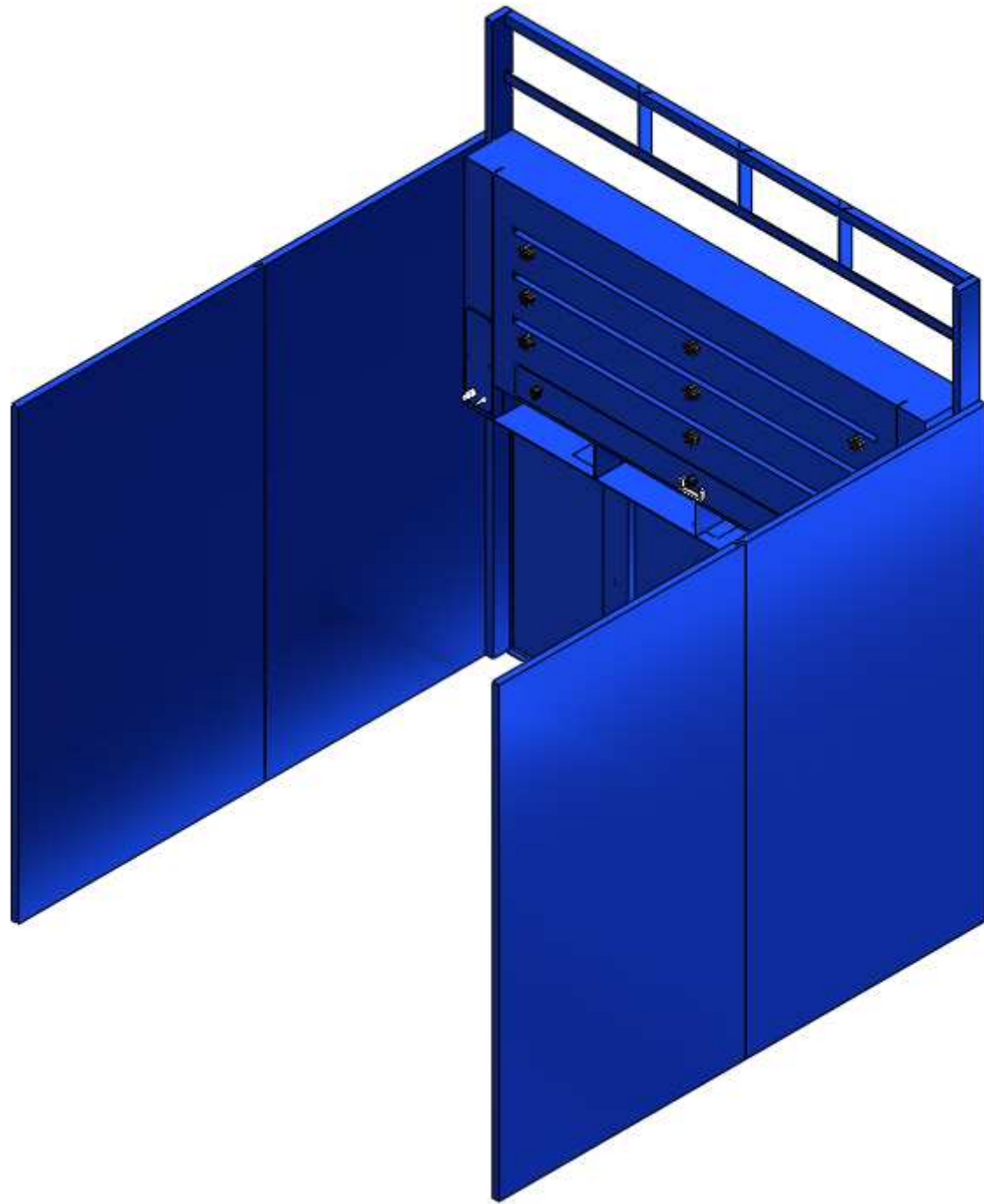
A-1



A-1

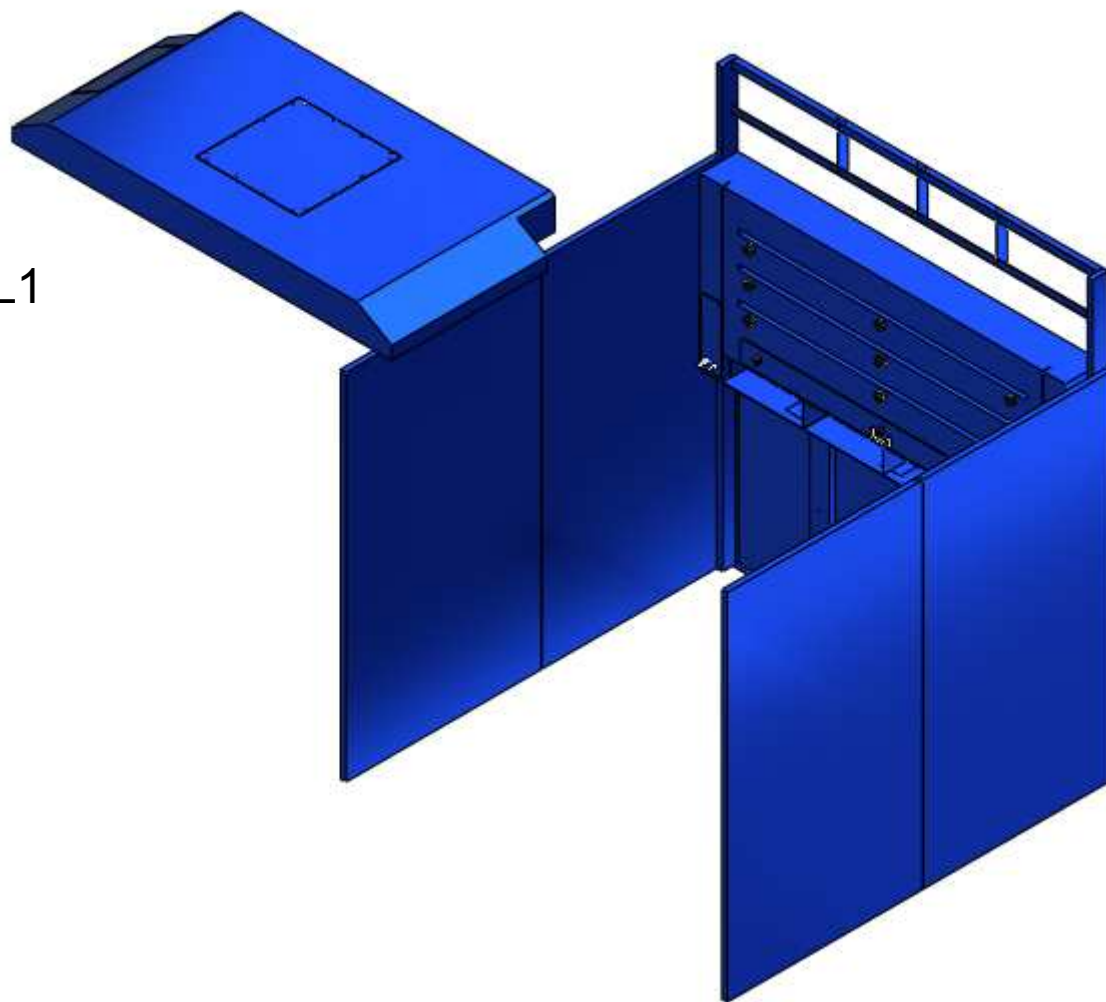


B-1

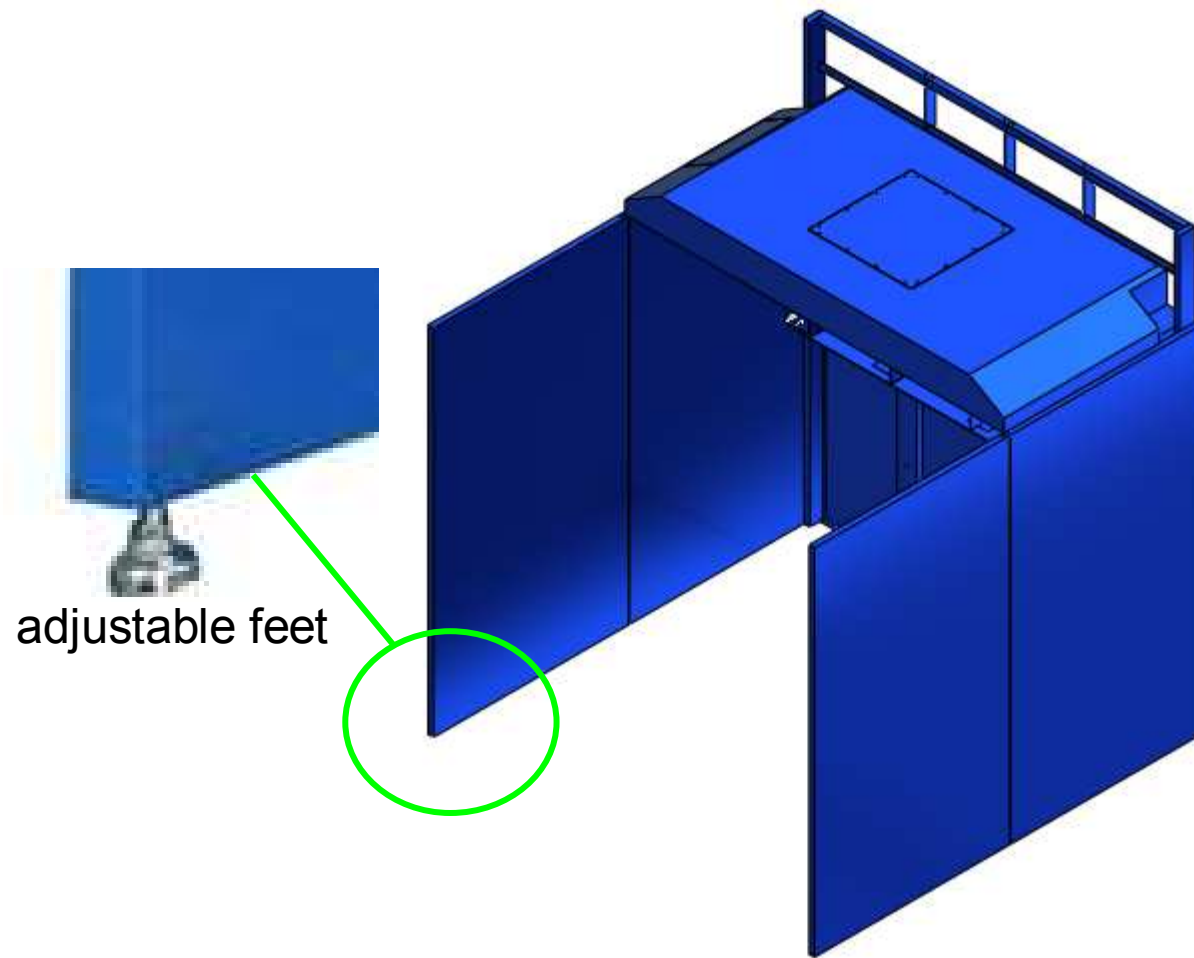


B-1

TL1

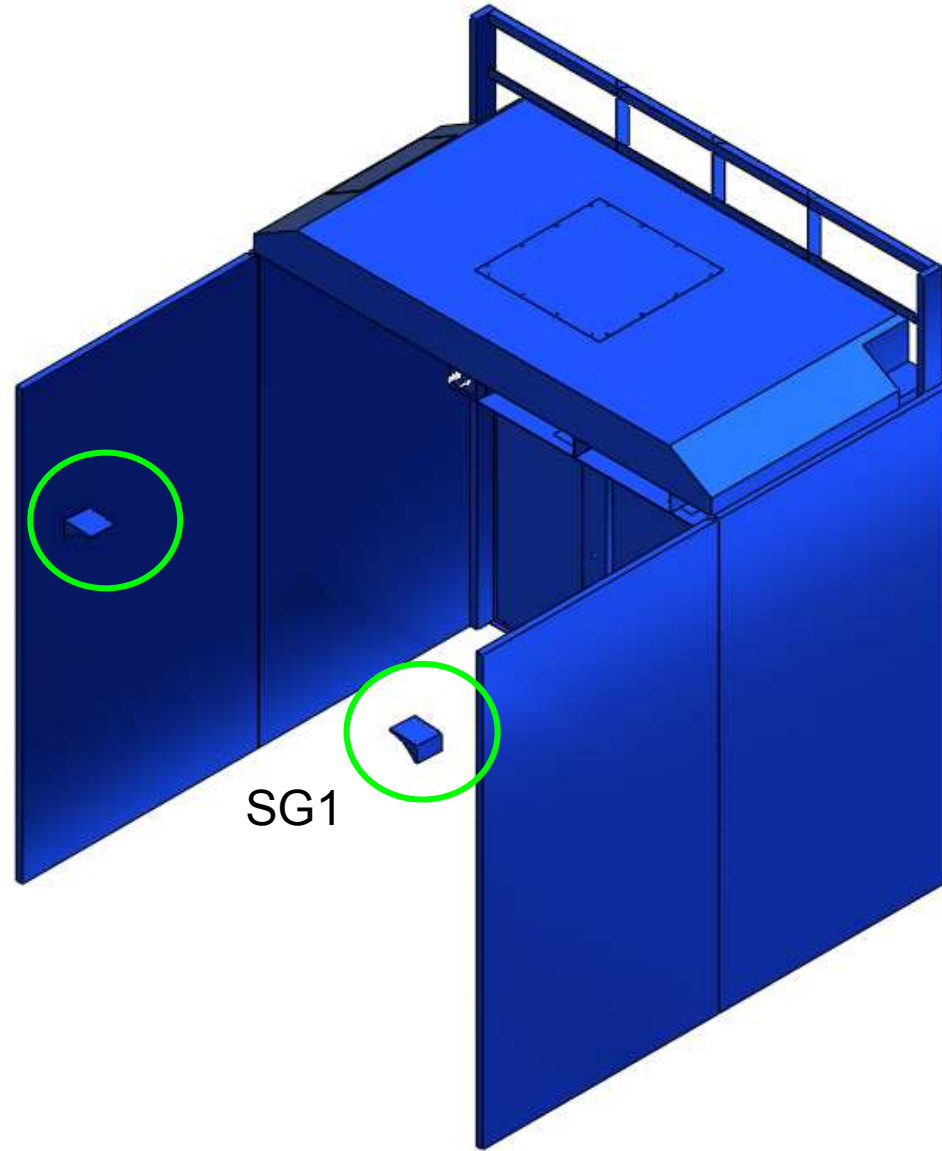


L



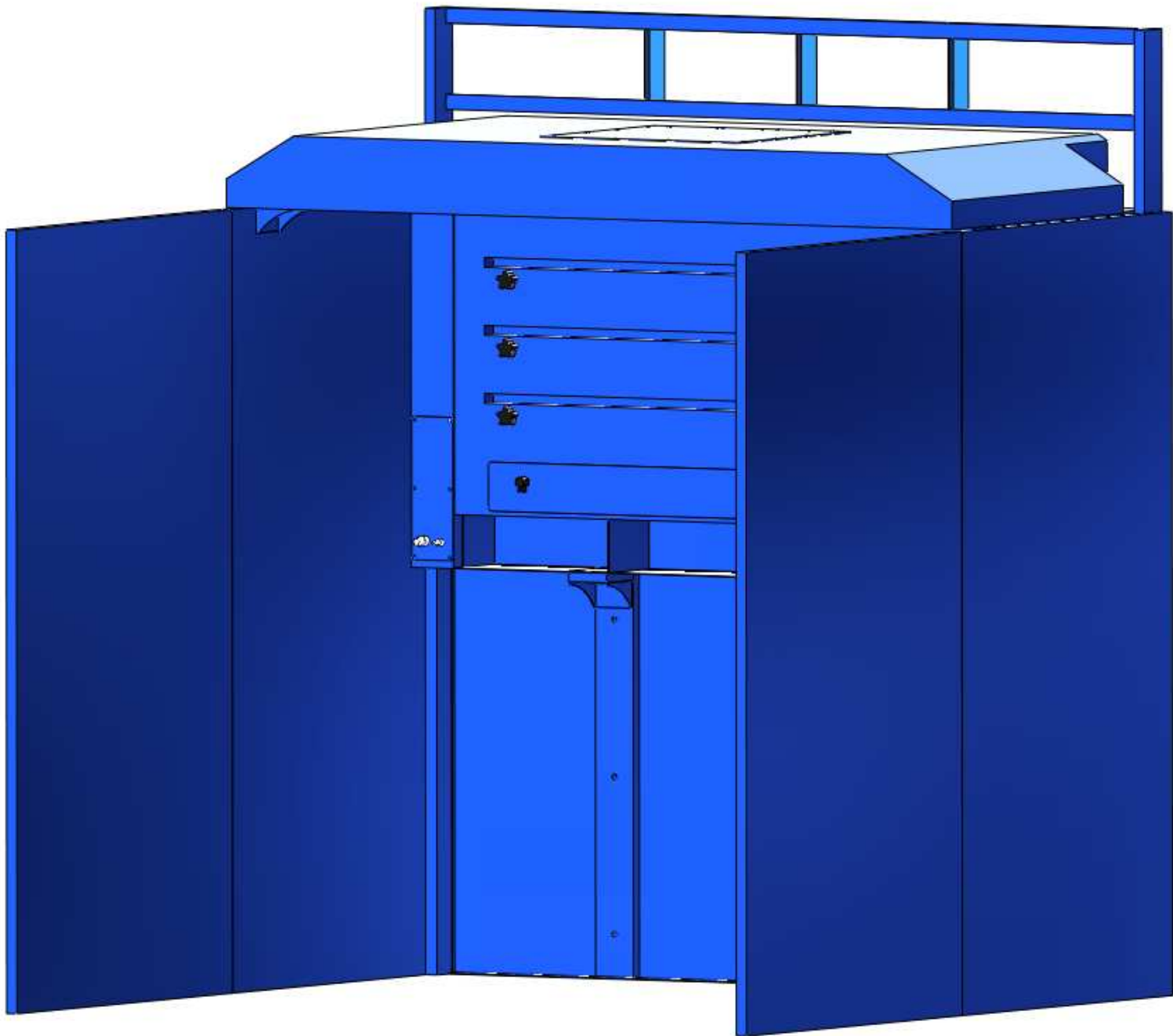
adjustable feet

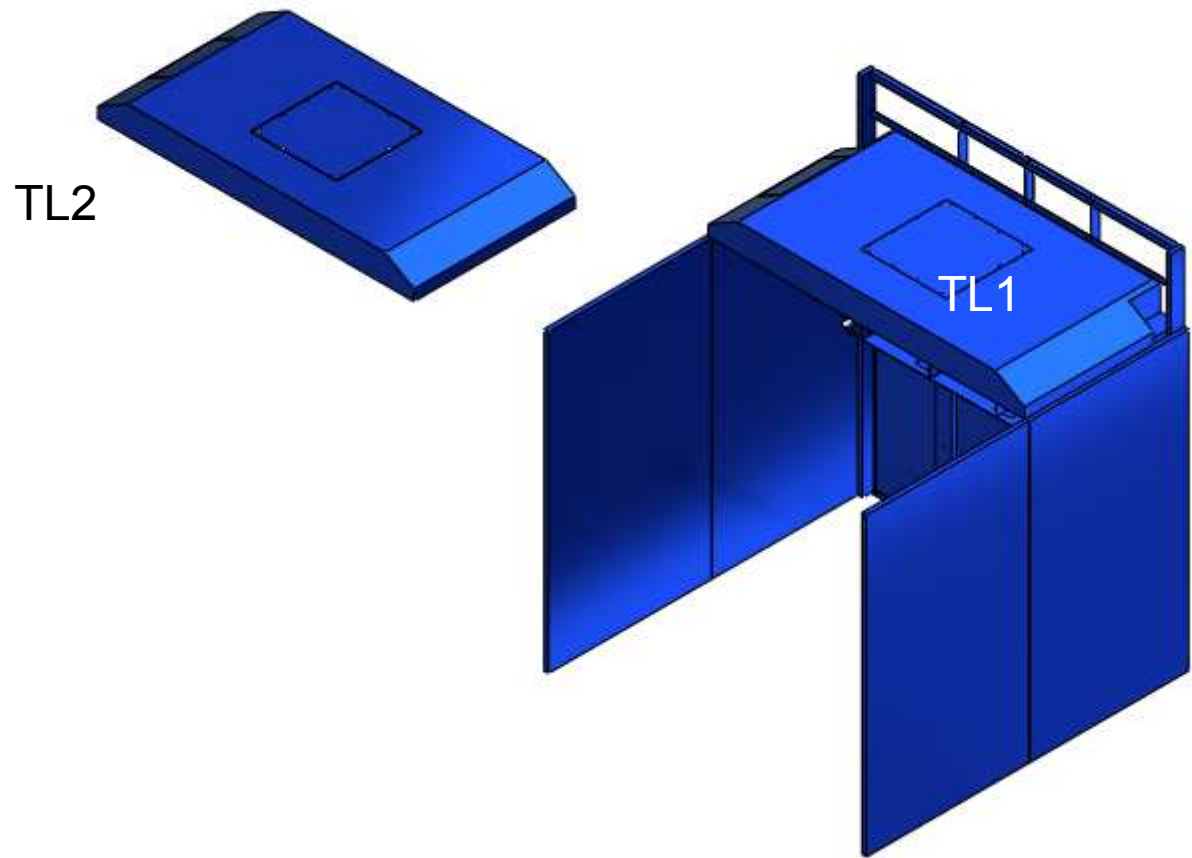
L



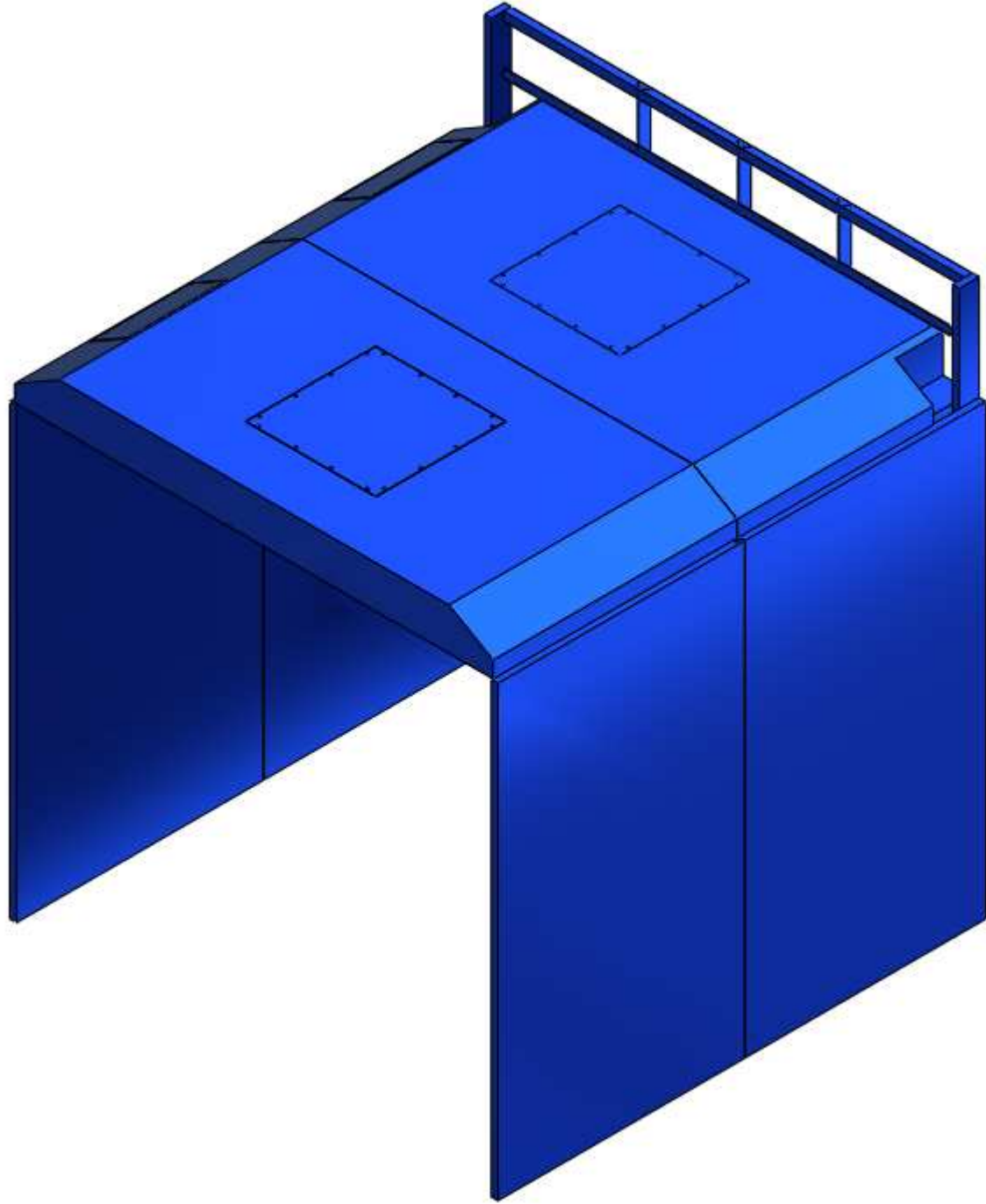
SG1

C

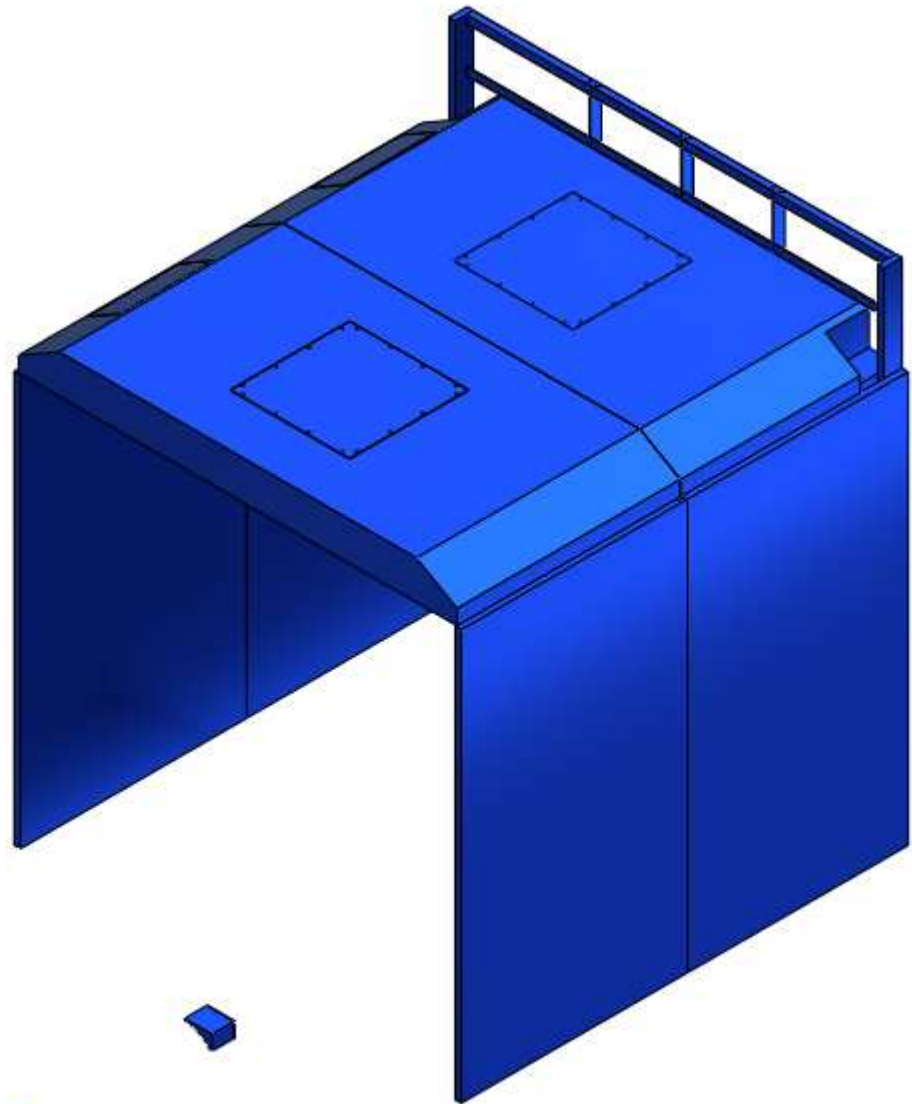




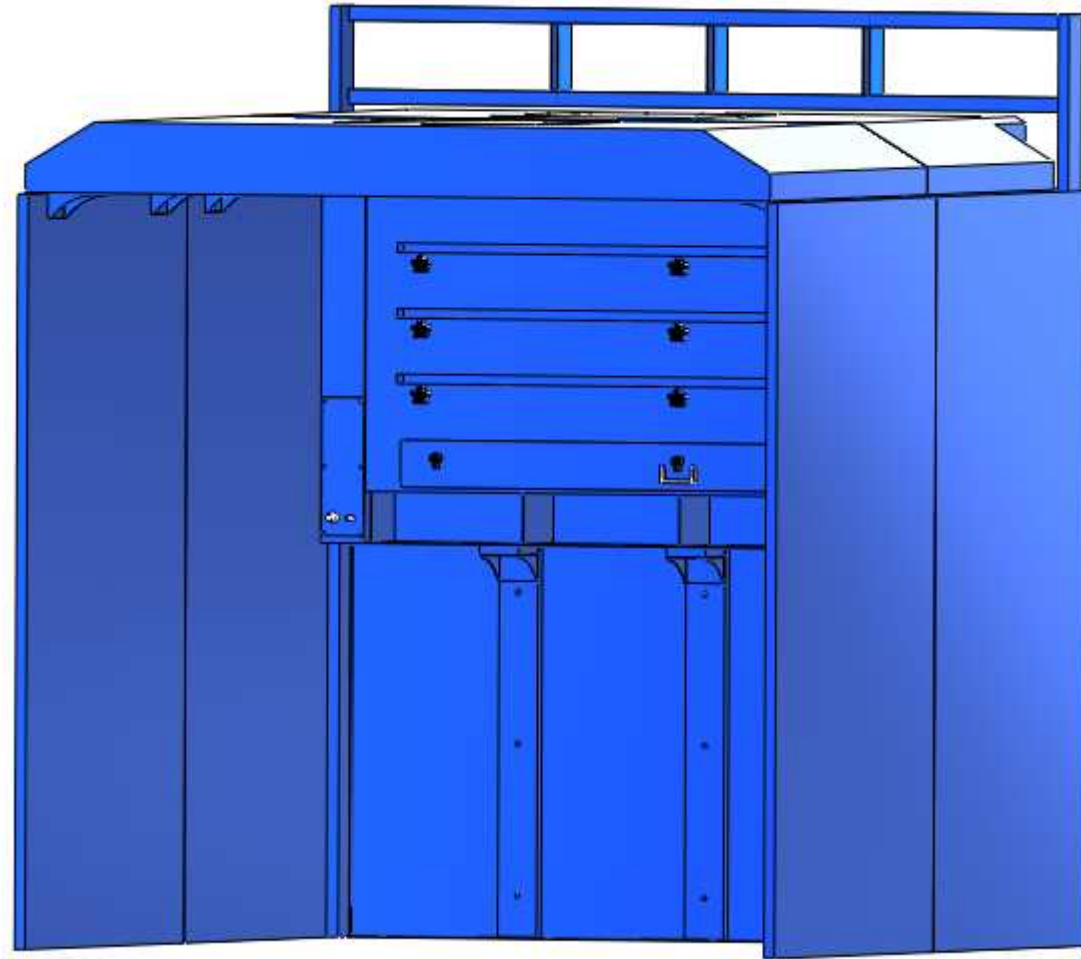
F

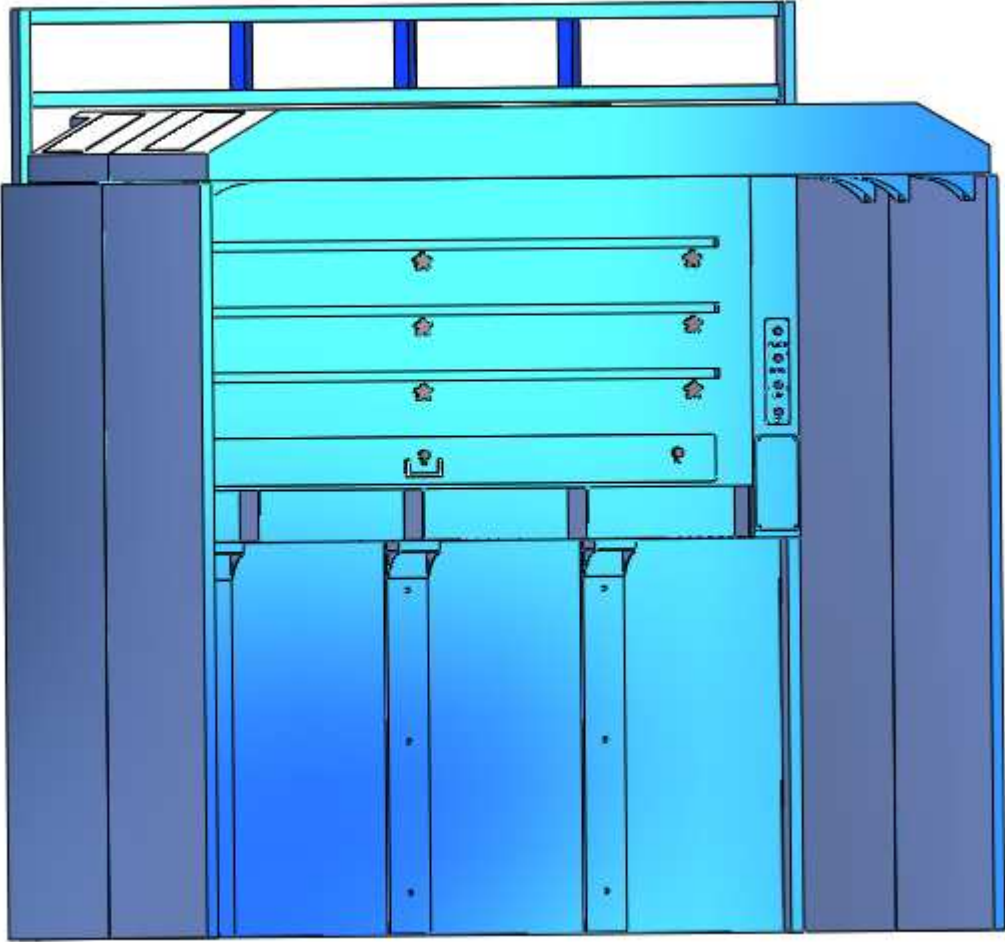


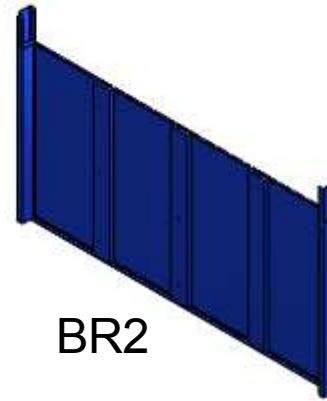
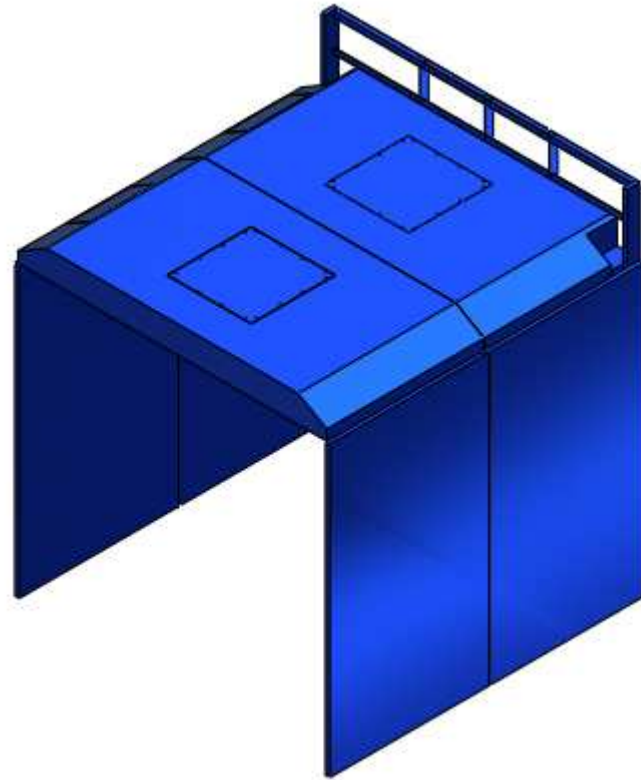
SG1



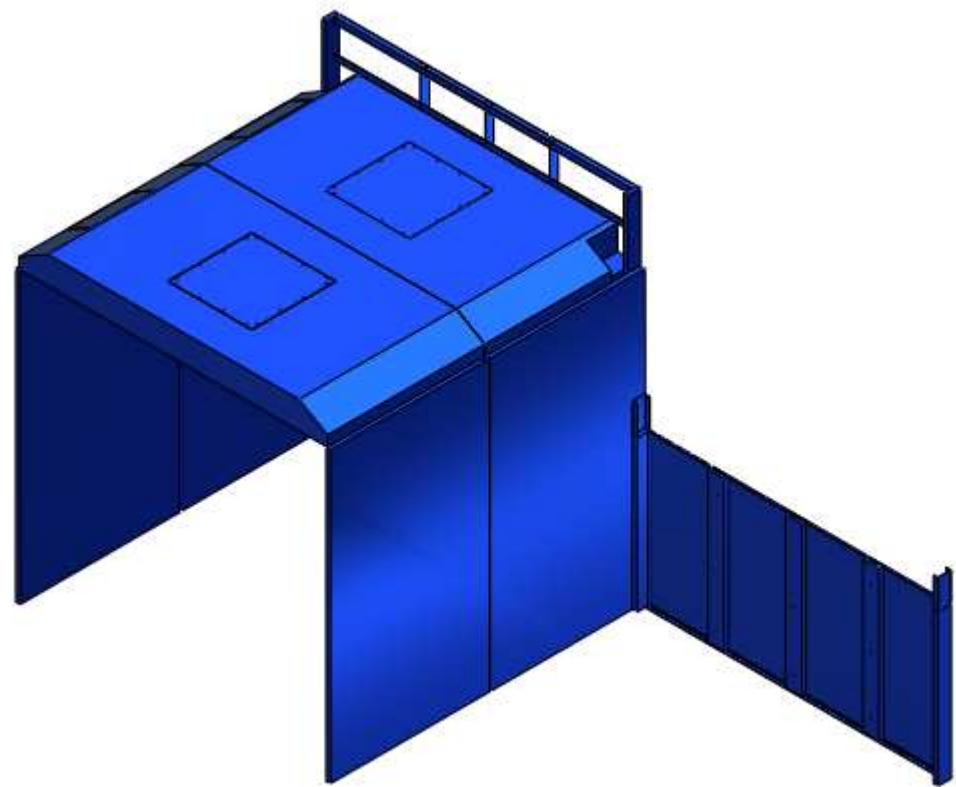
C



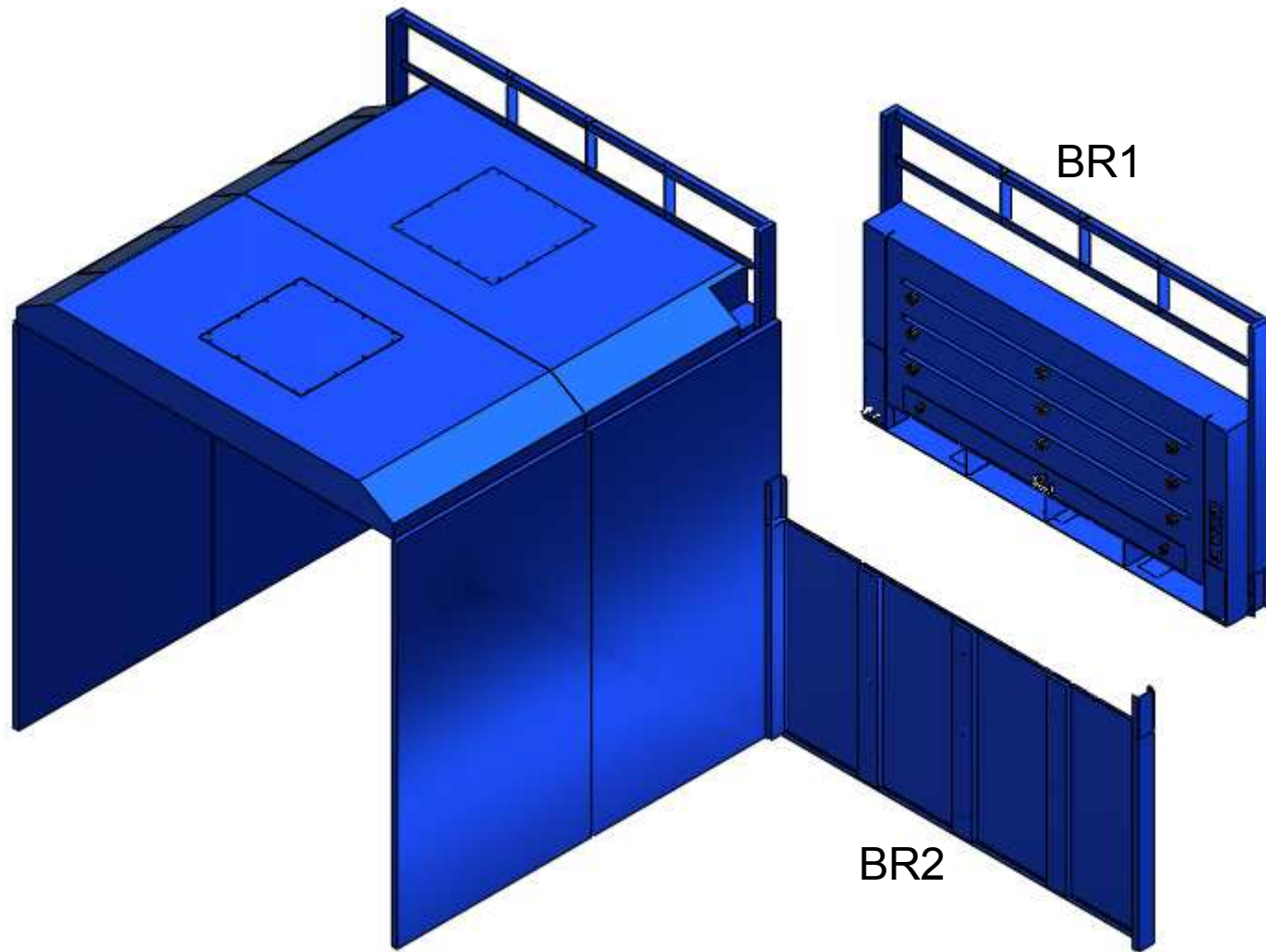




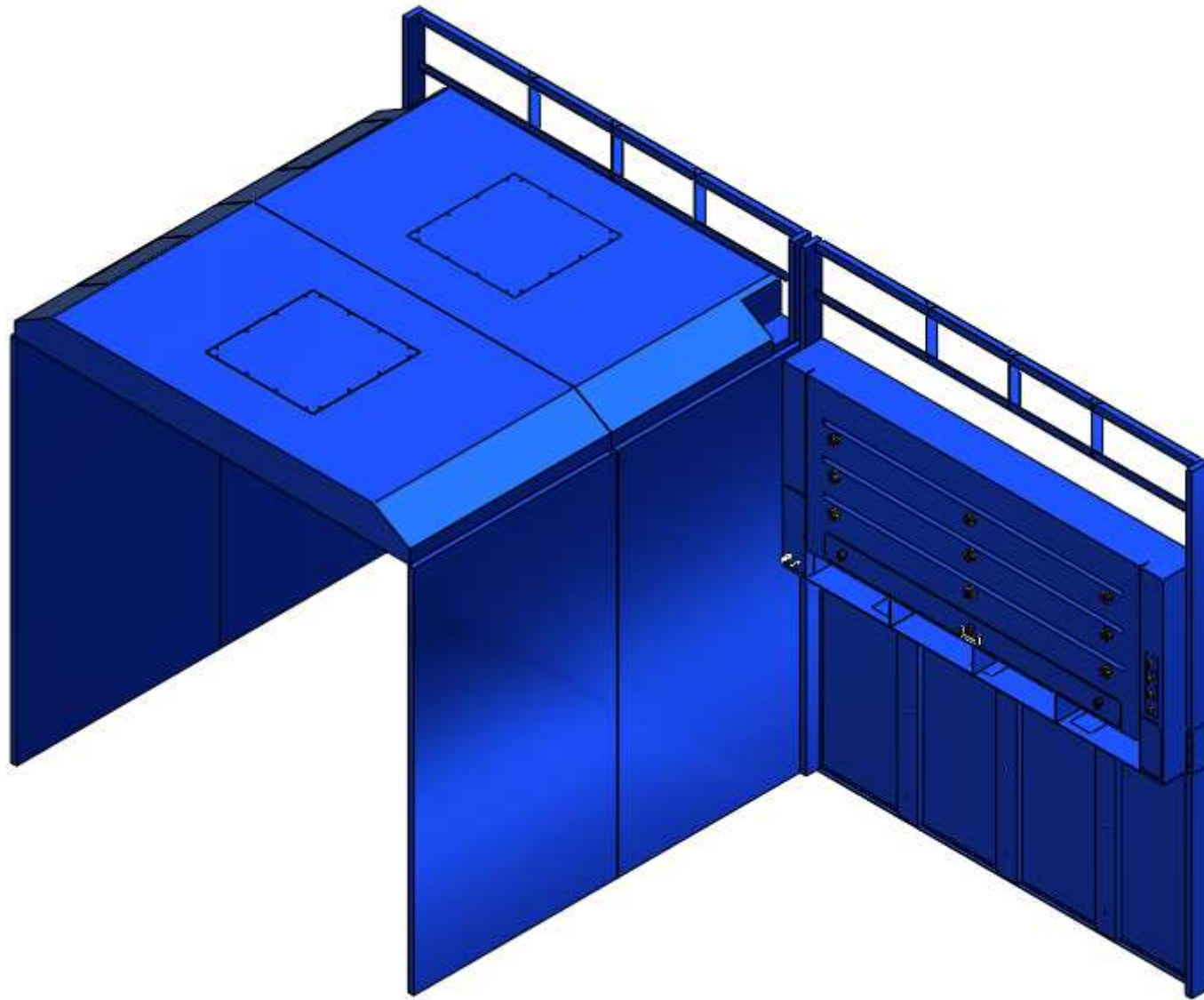
BR2

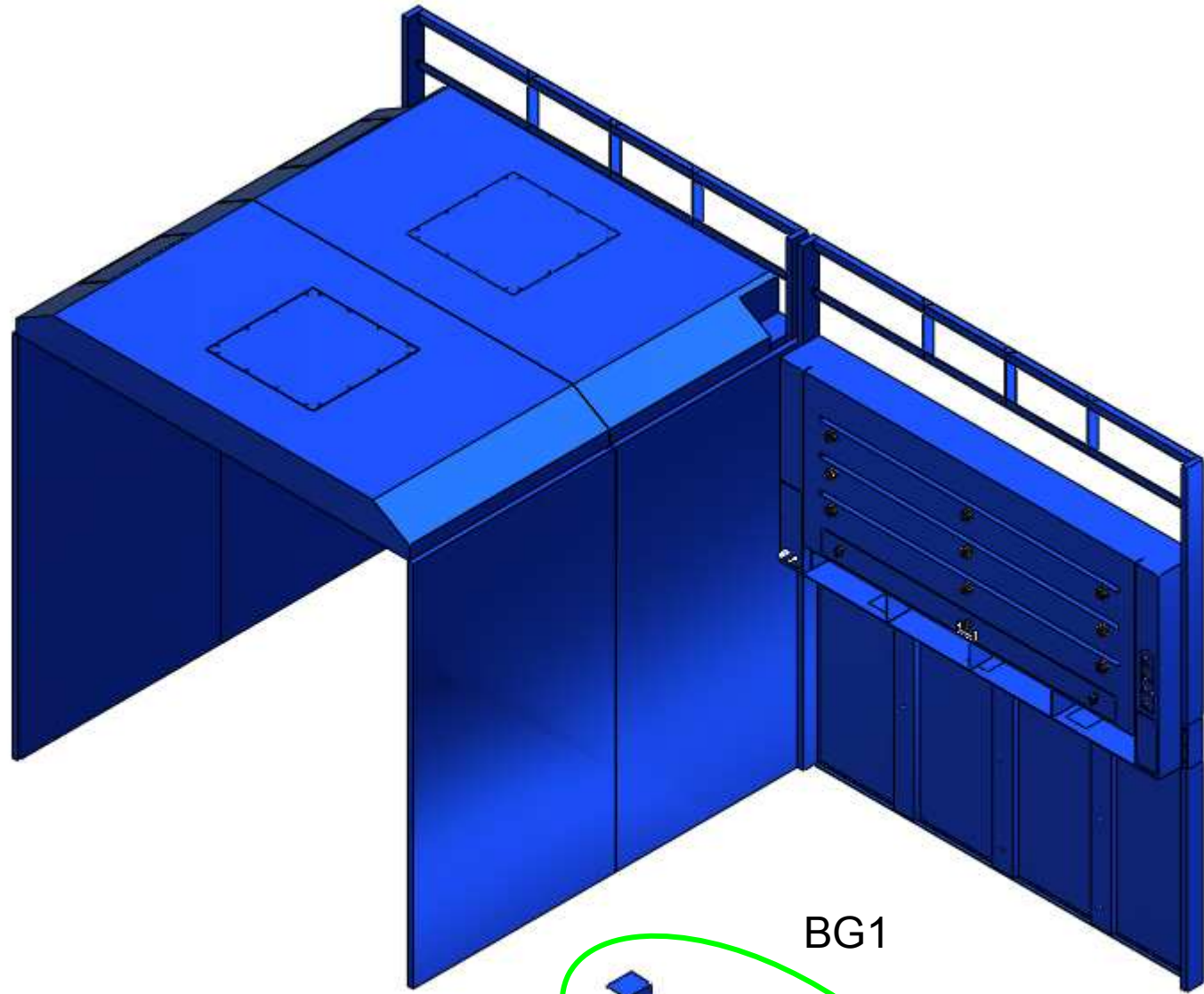


J

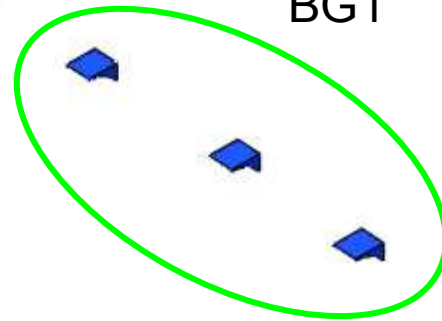


J

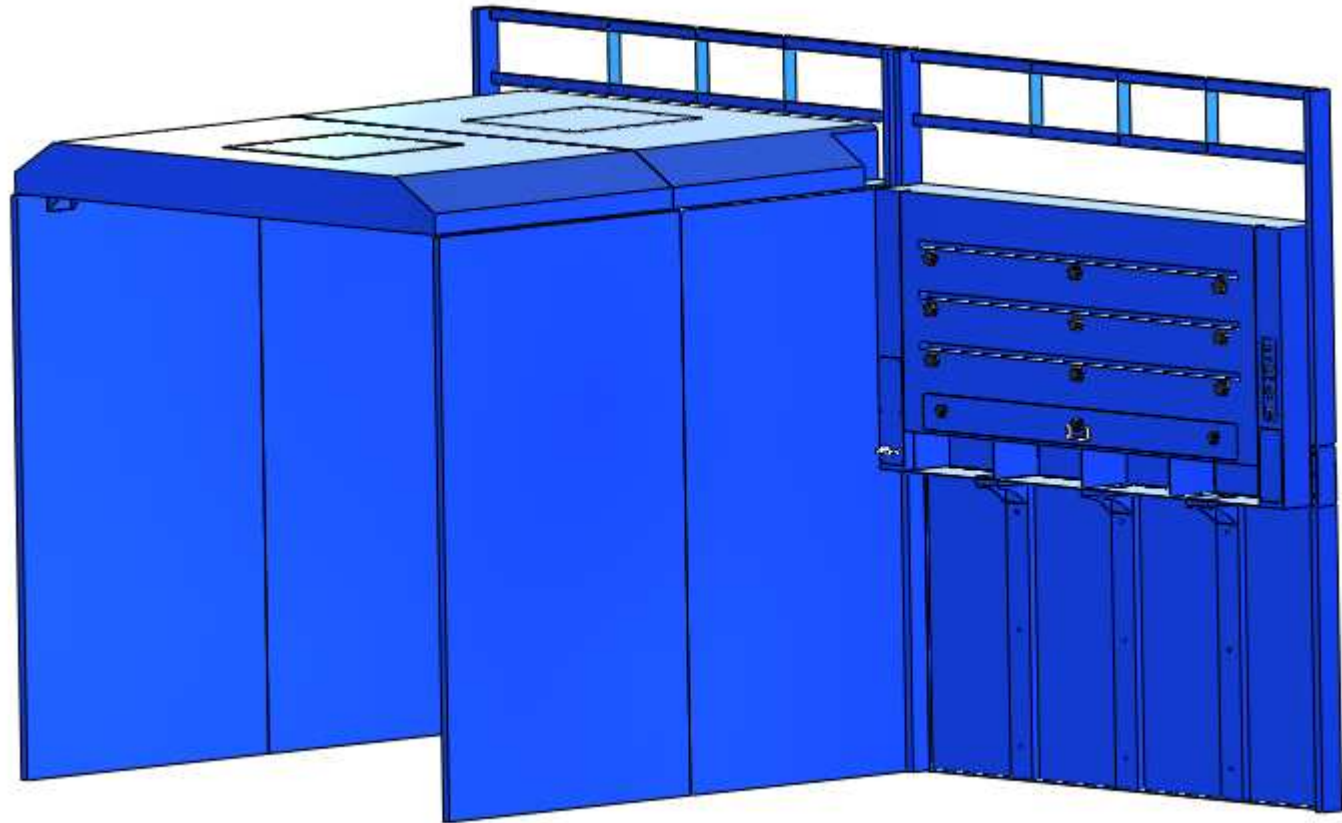




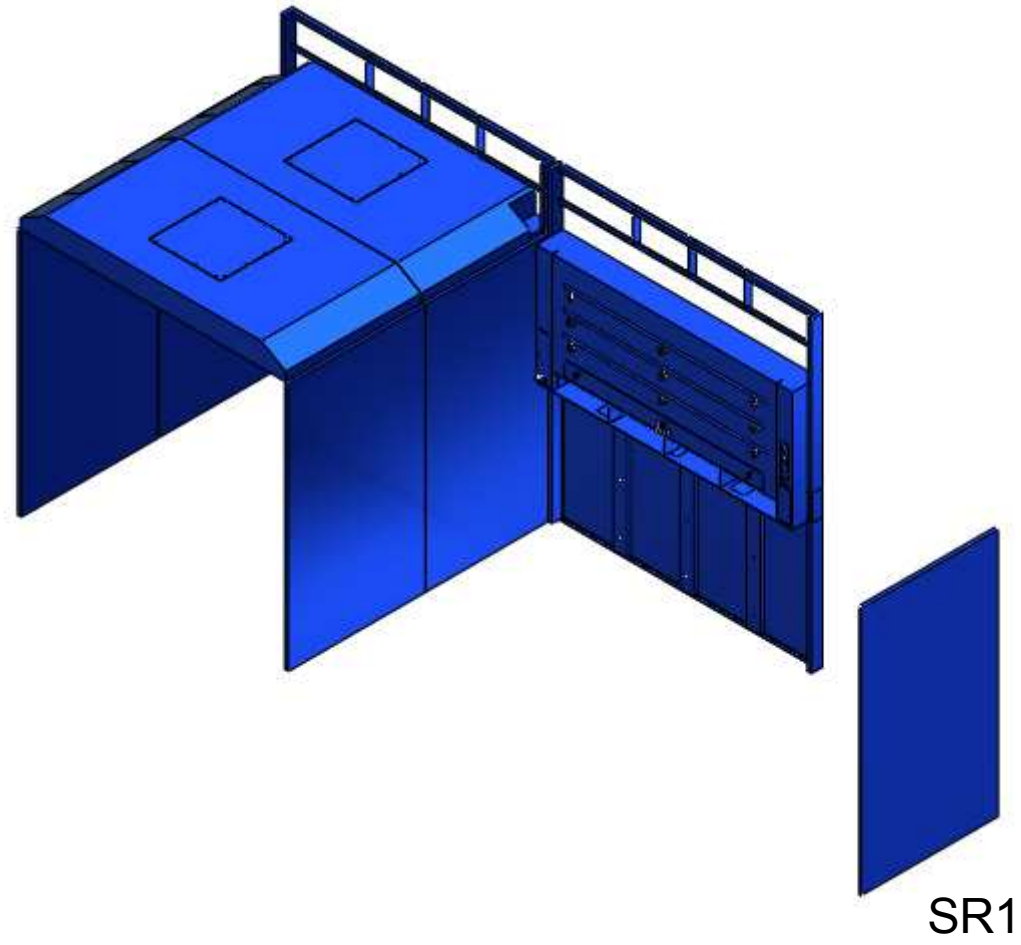
BG1



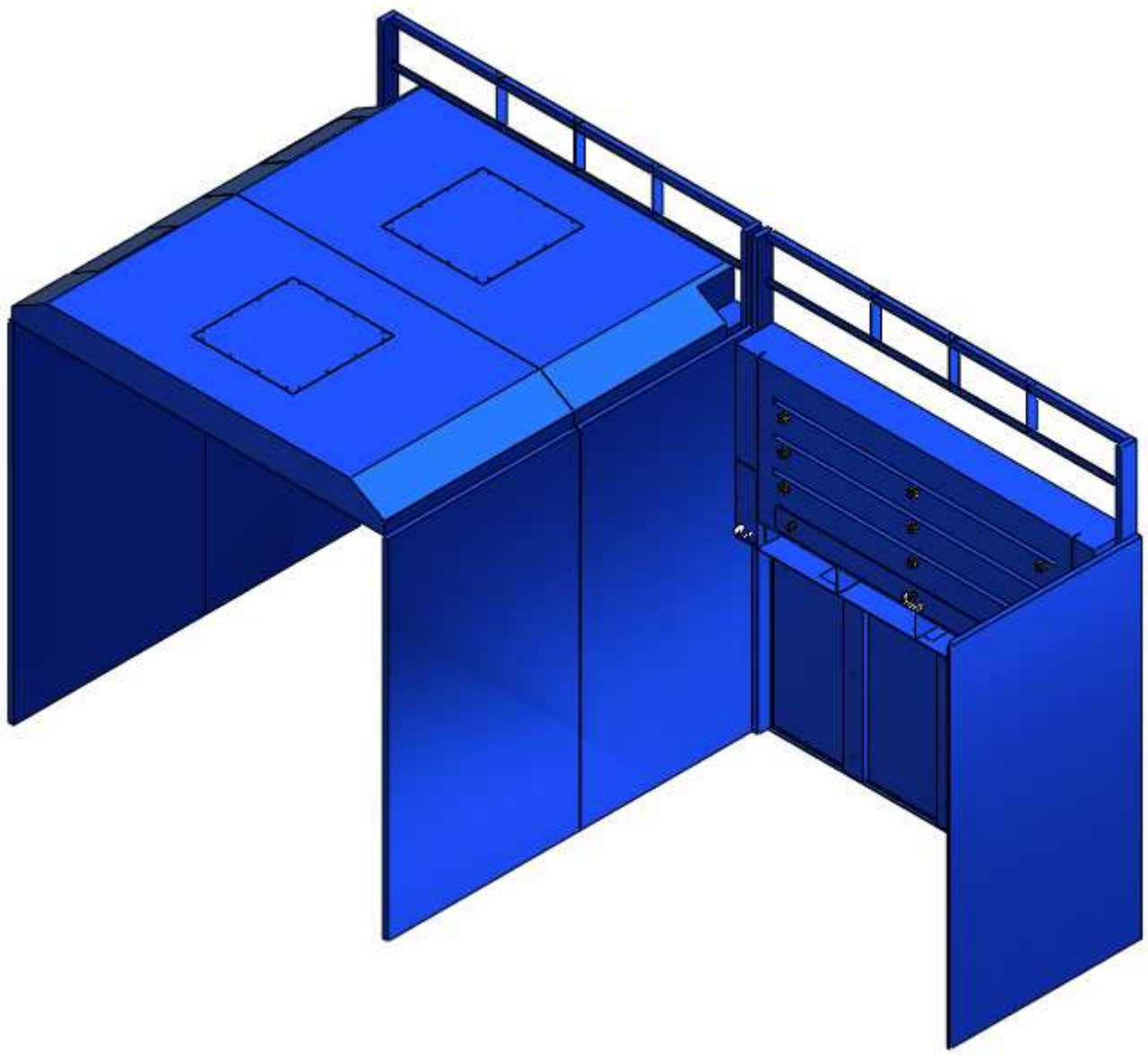
H

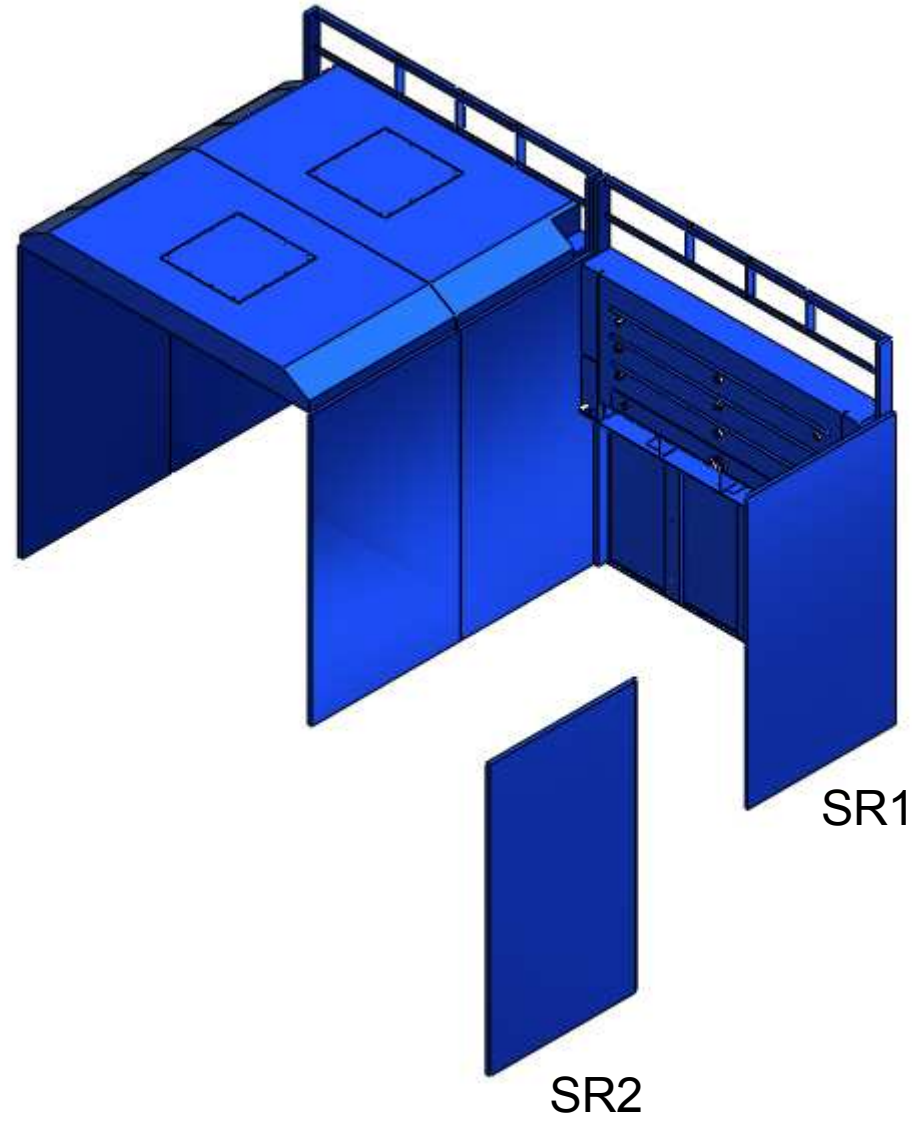


A

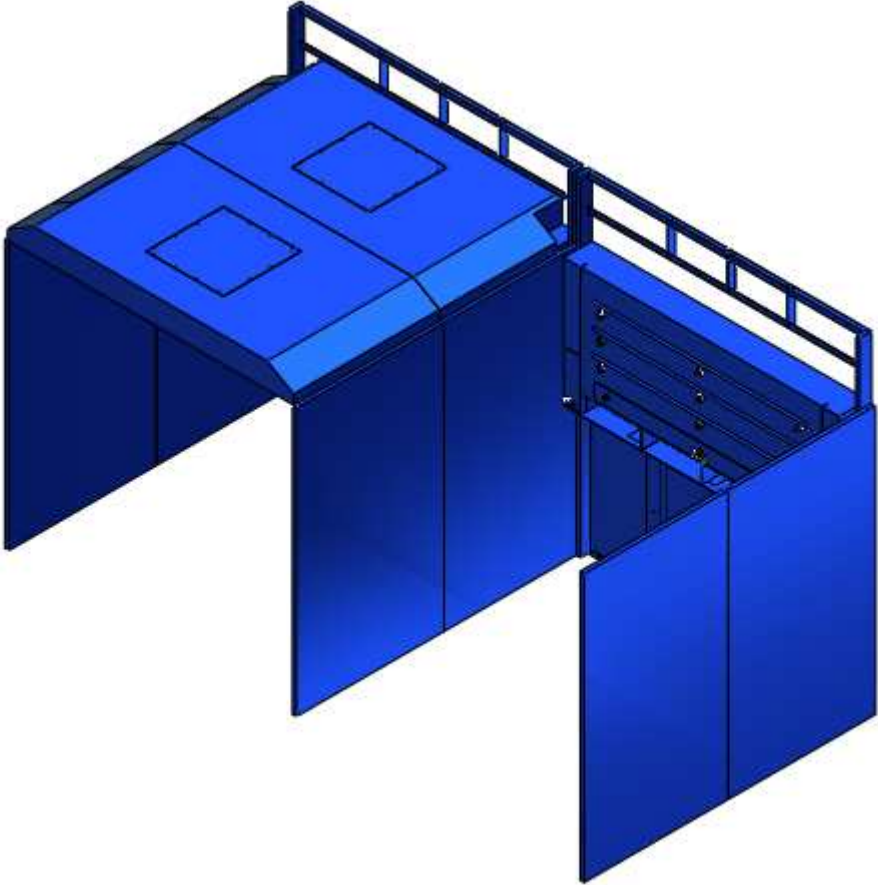


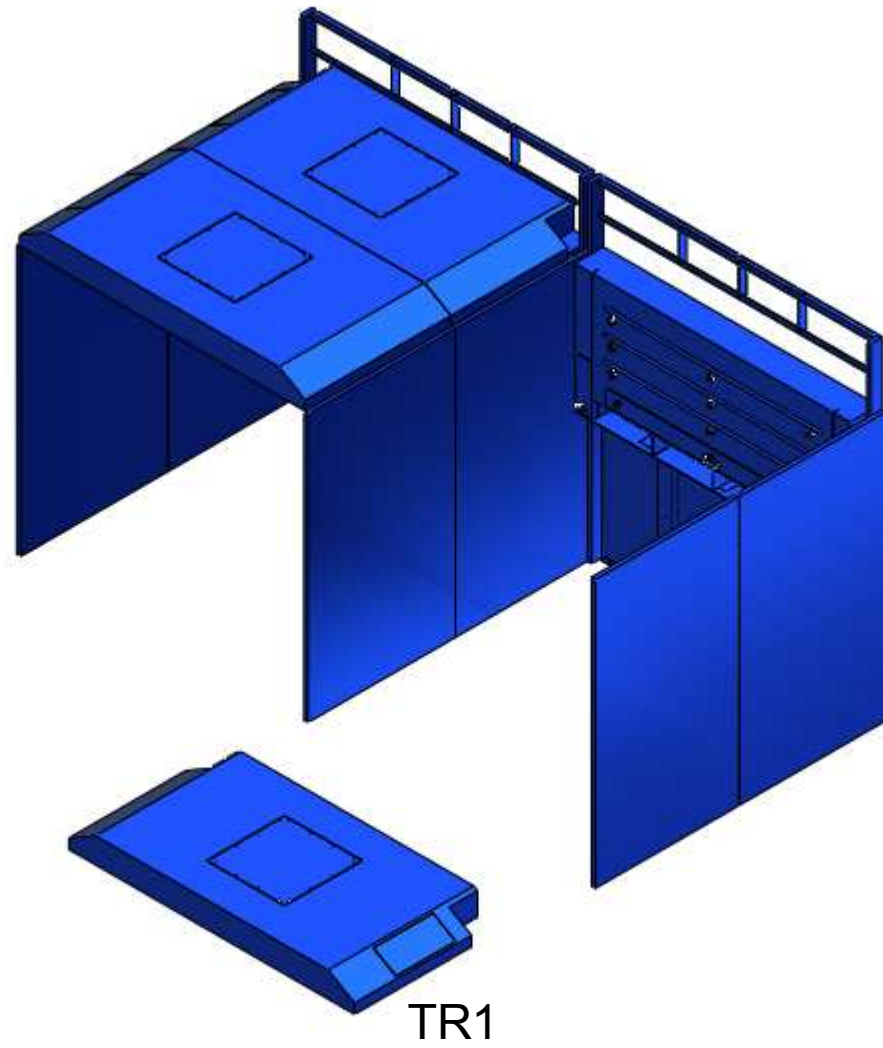
A



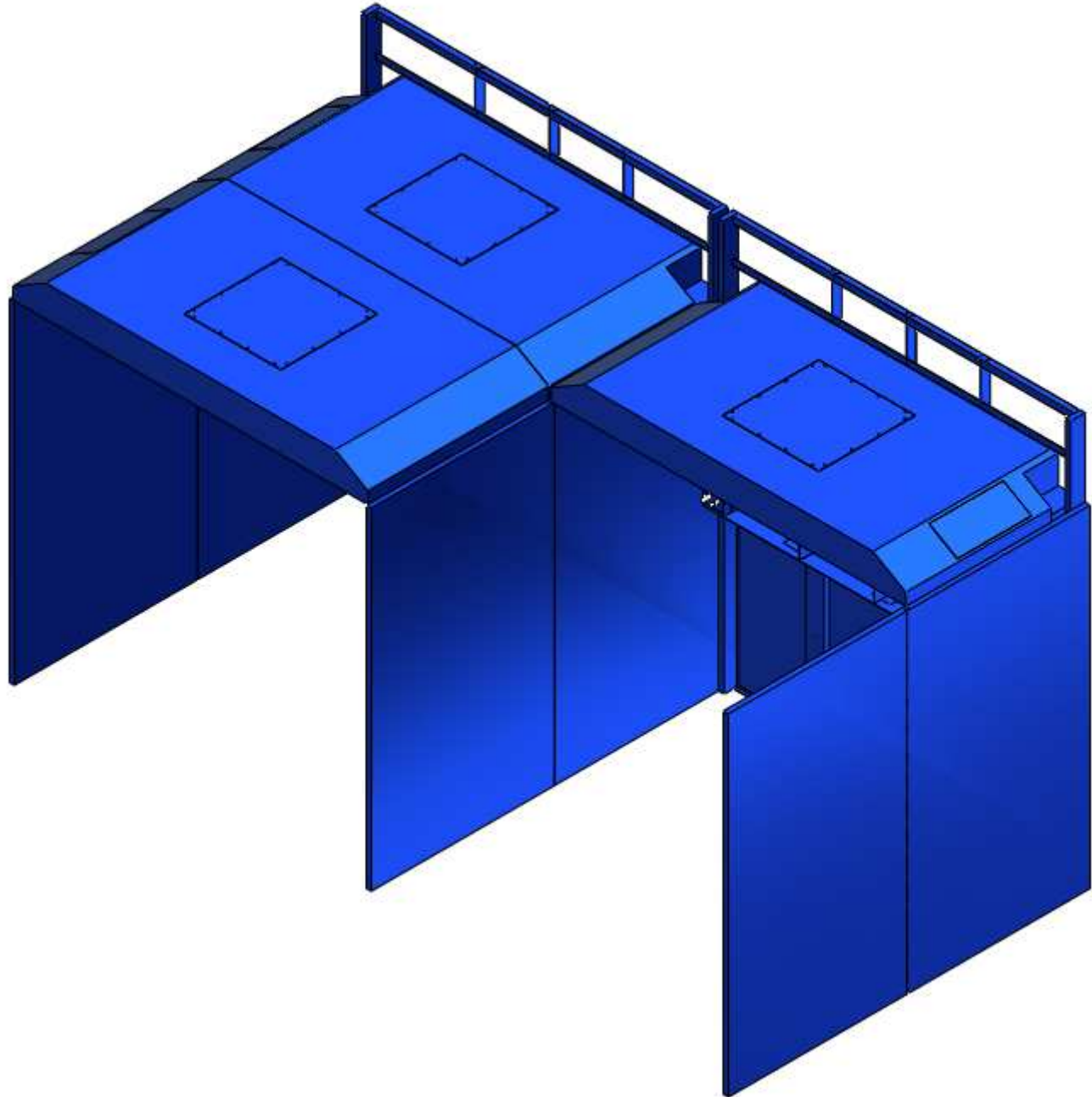


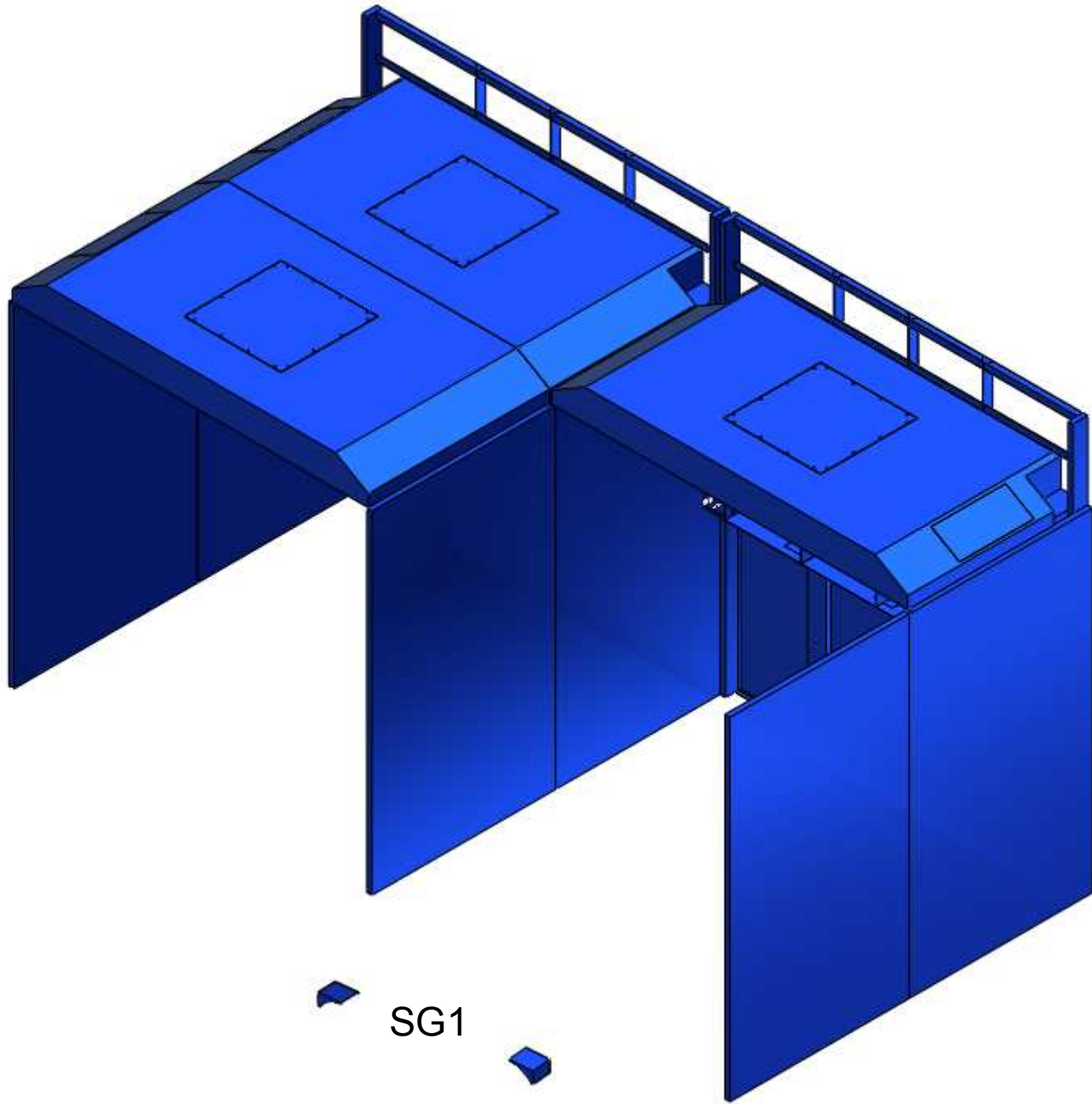
B





L

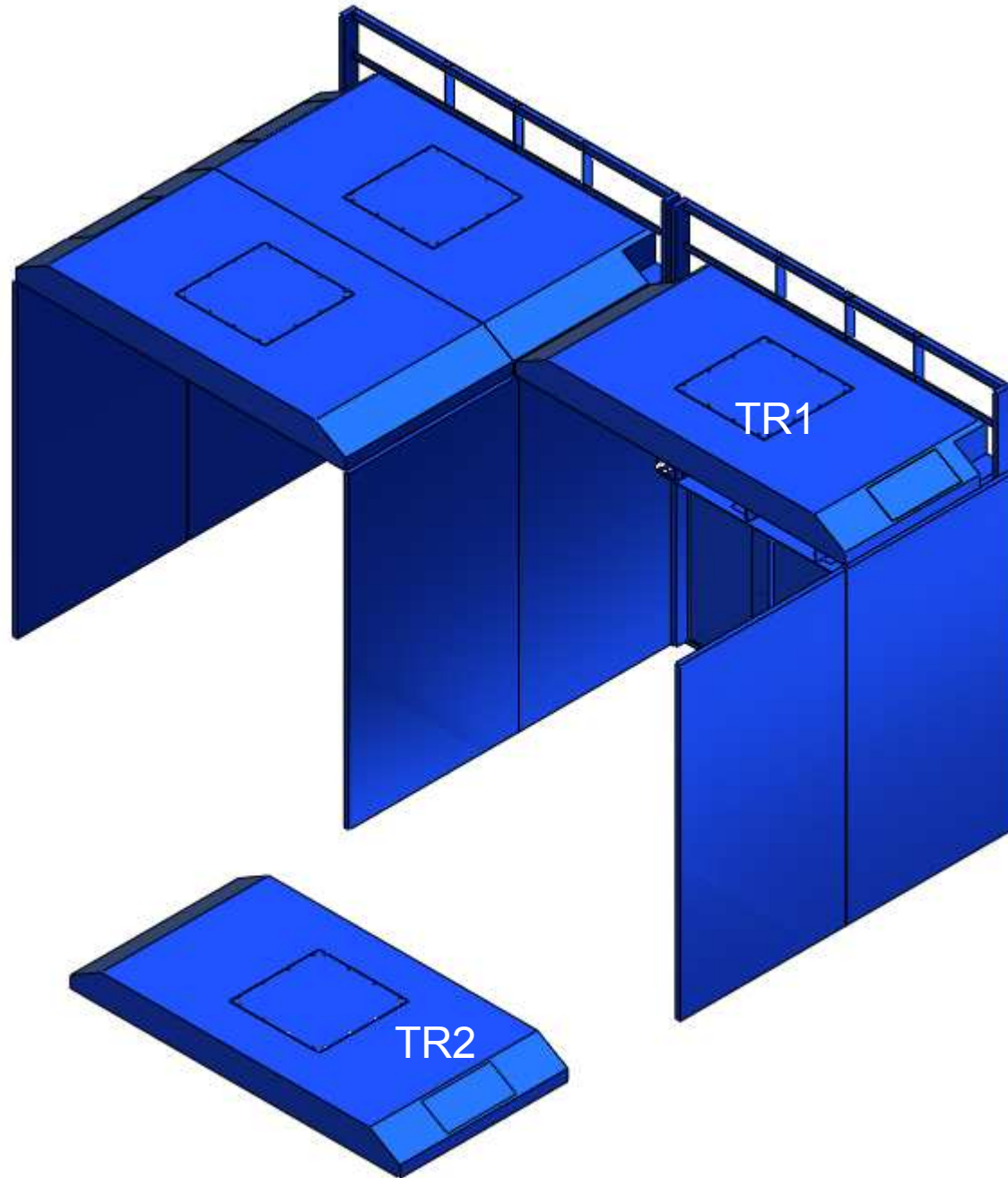




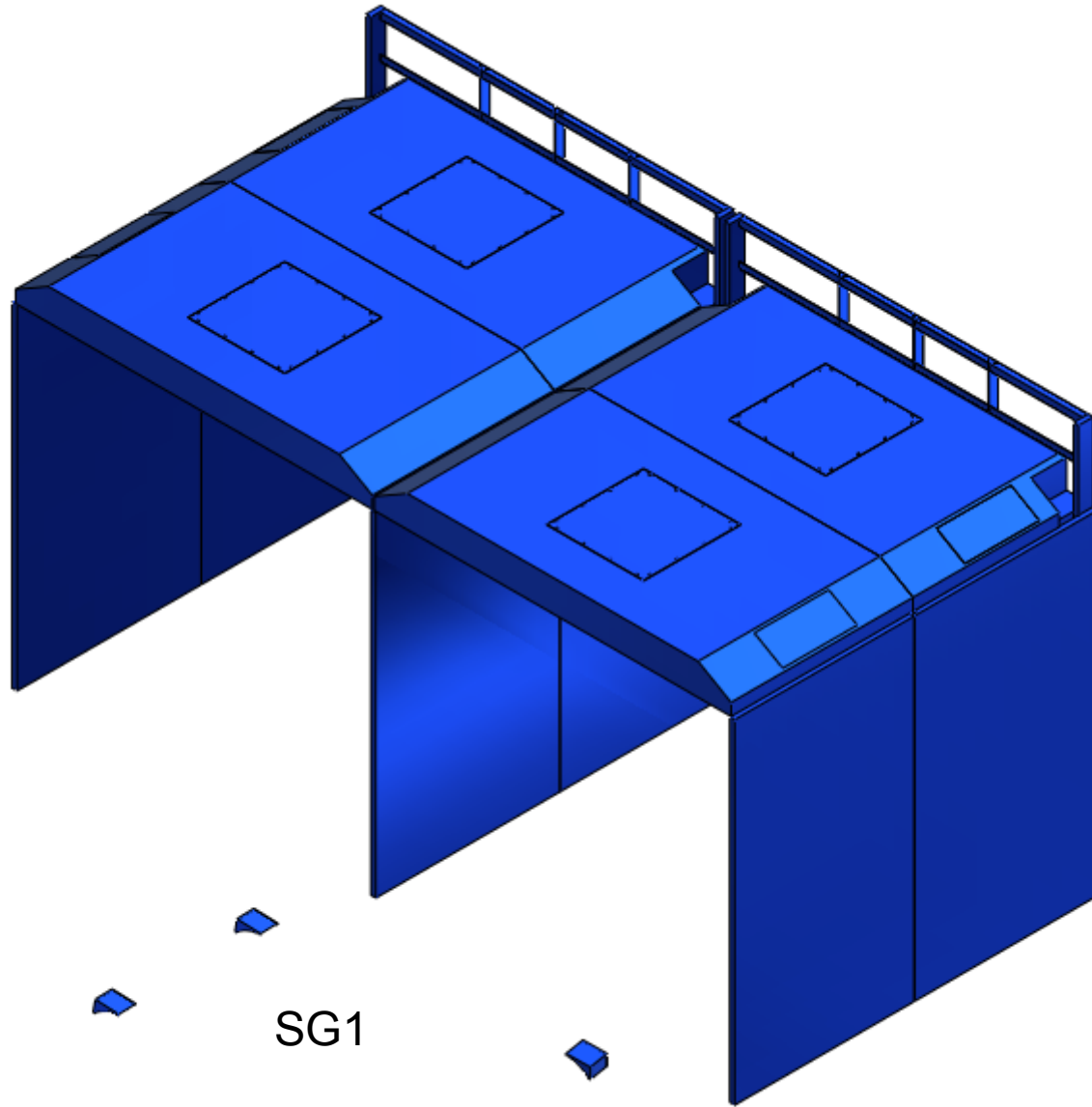
C

SG1



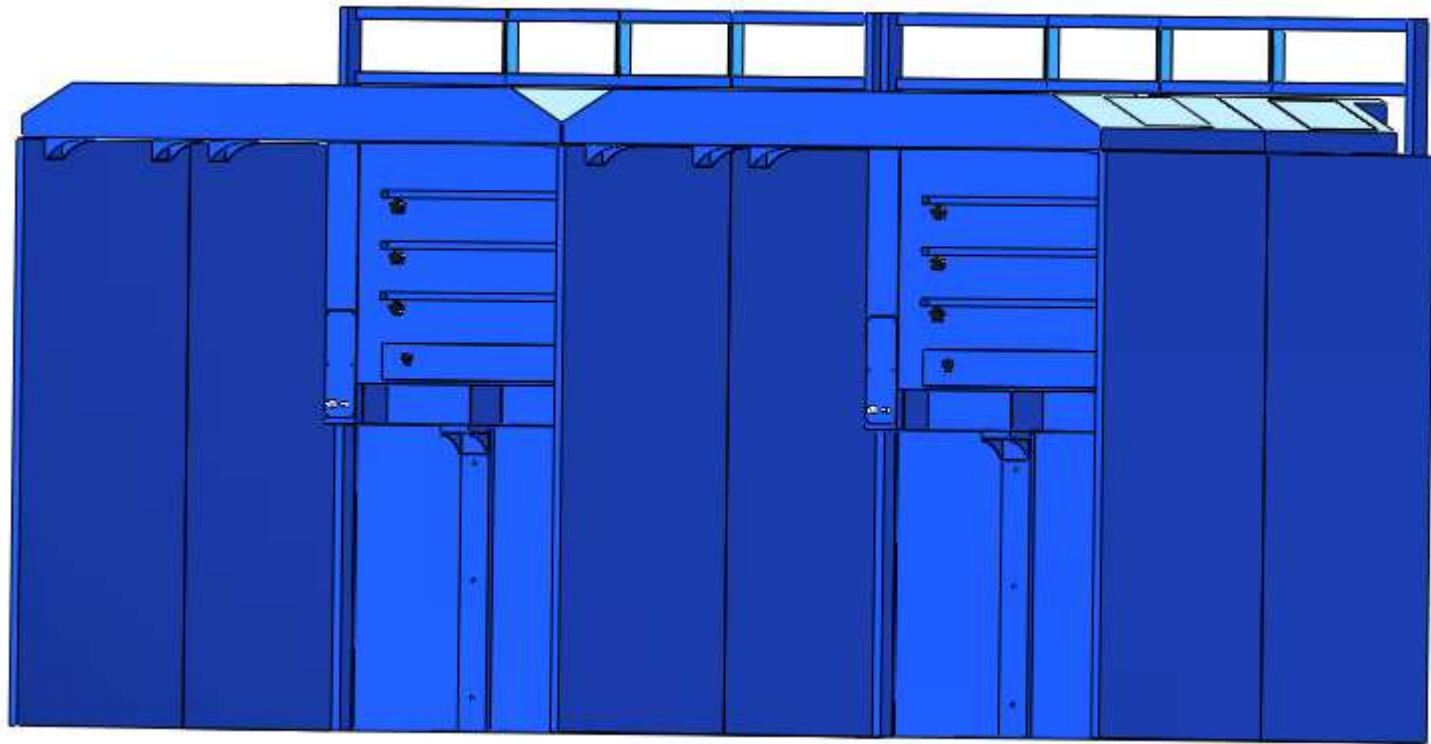


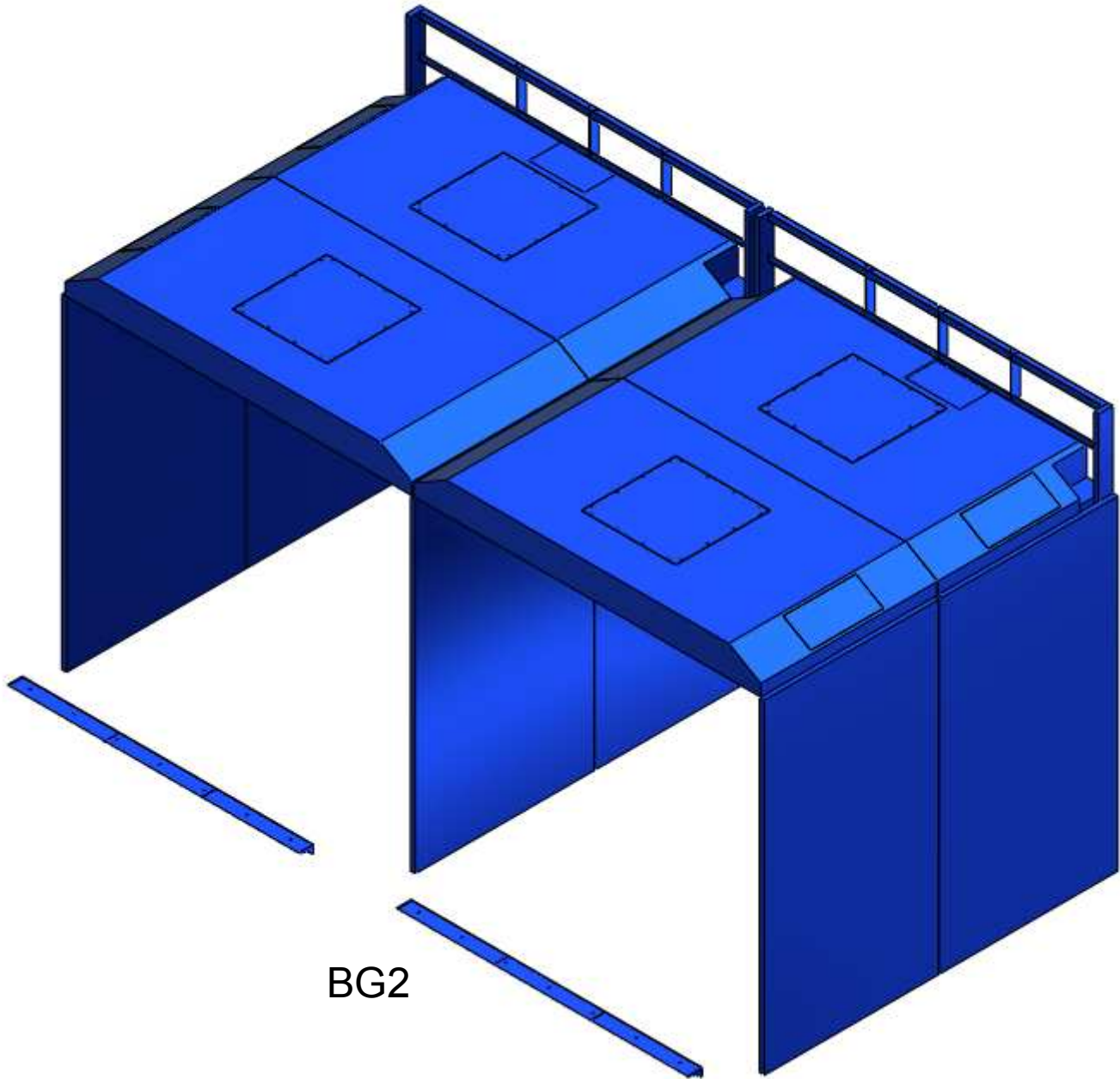
F



SG1

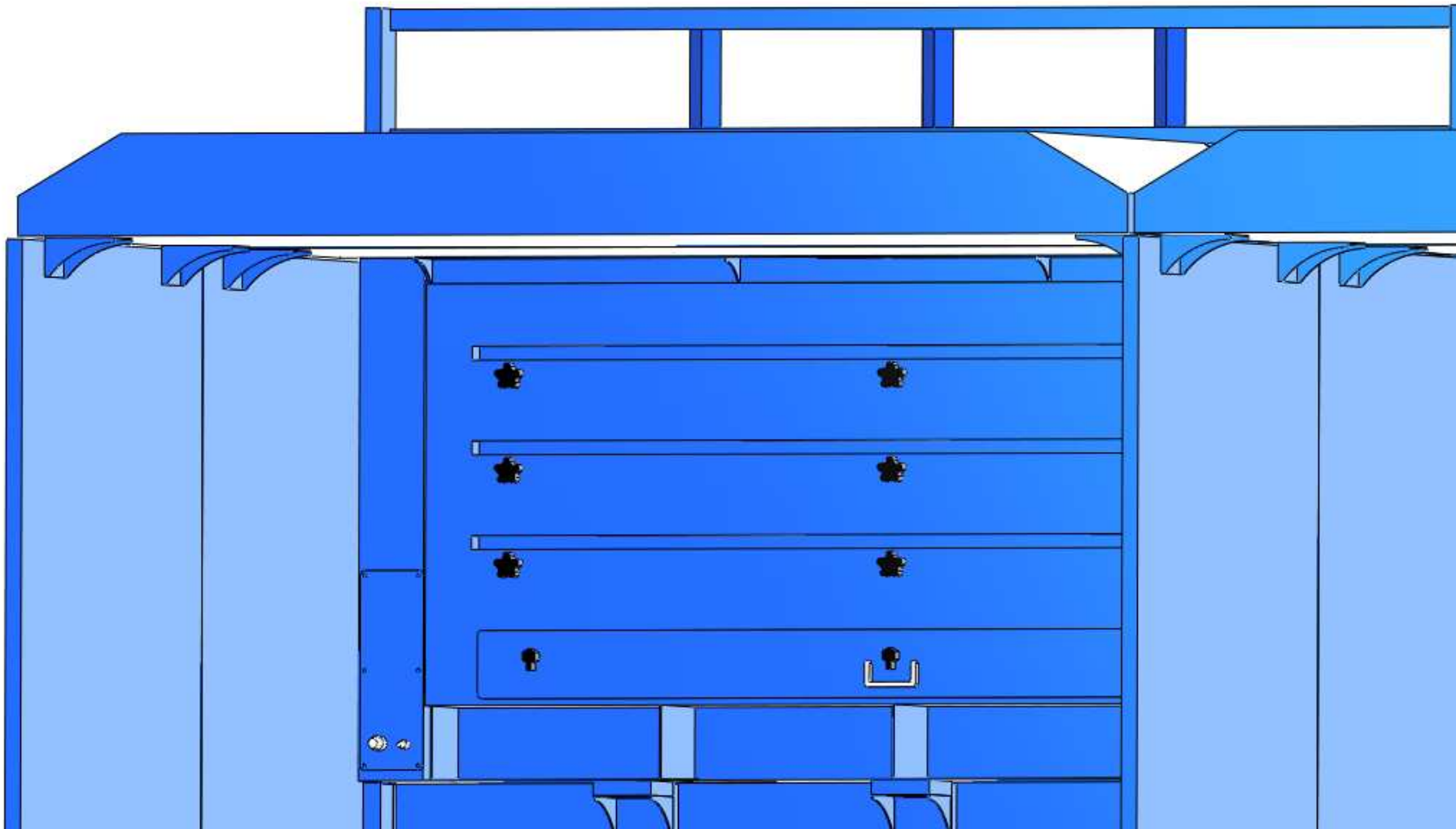
C



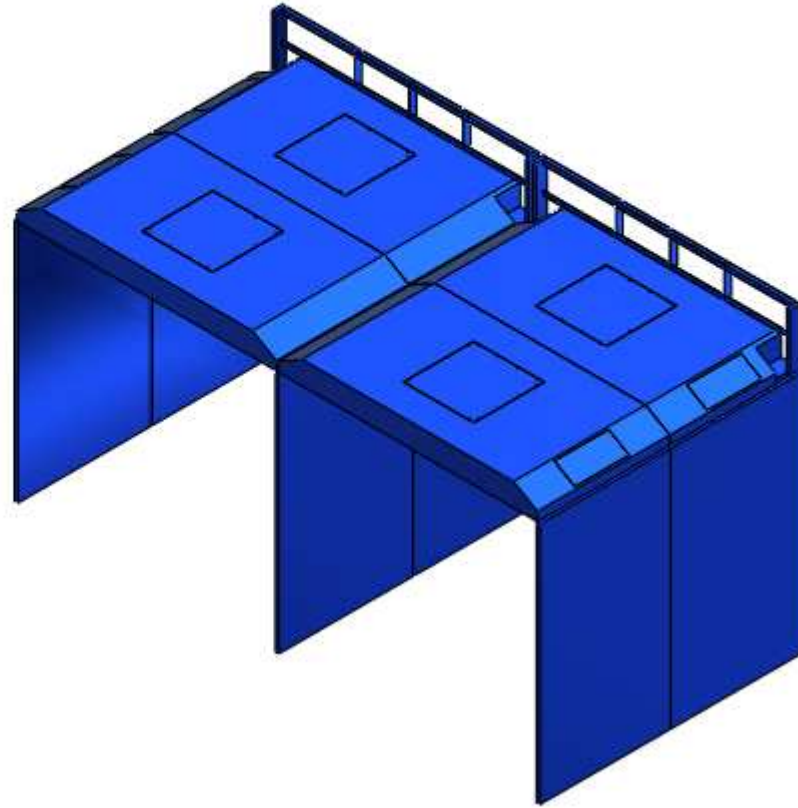
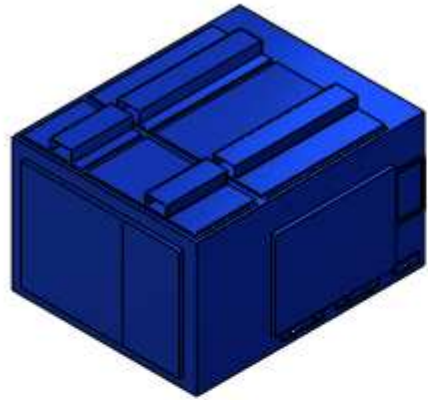


BG2

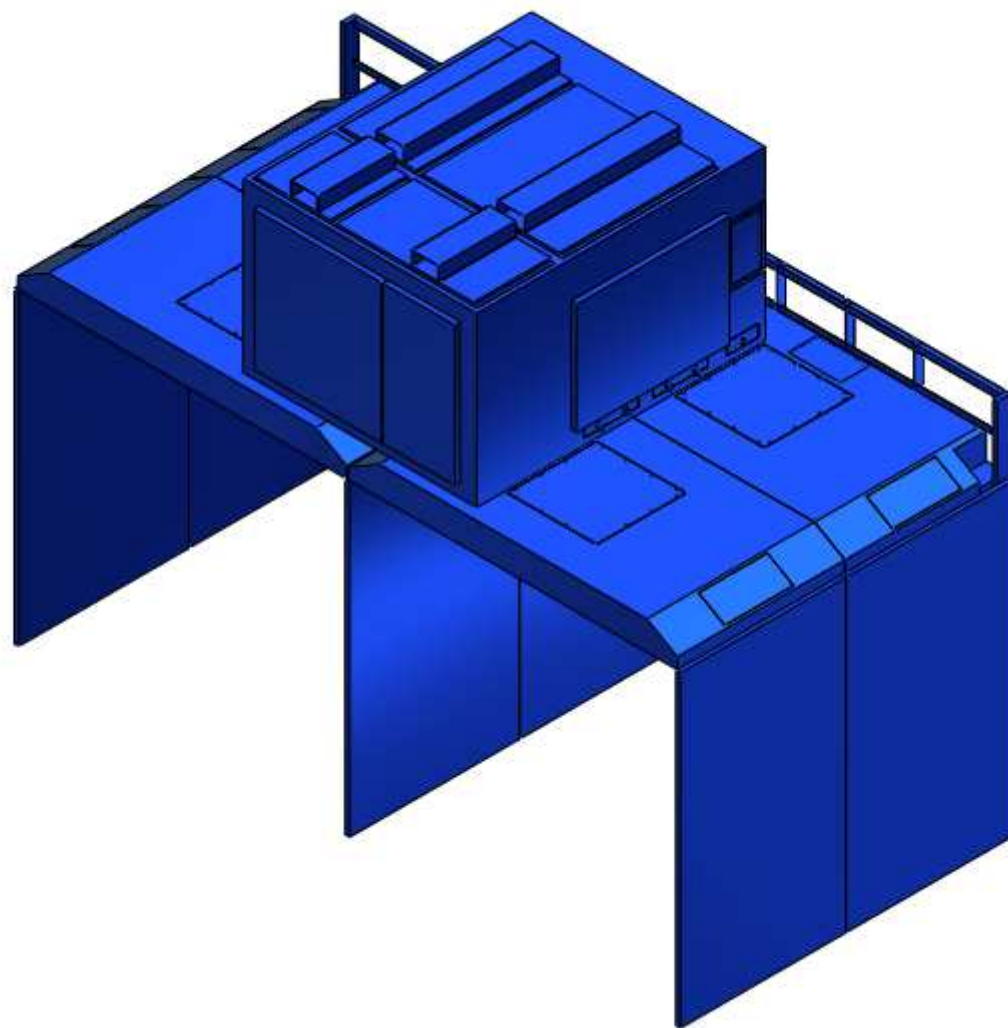
M



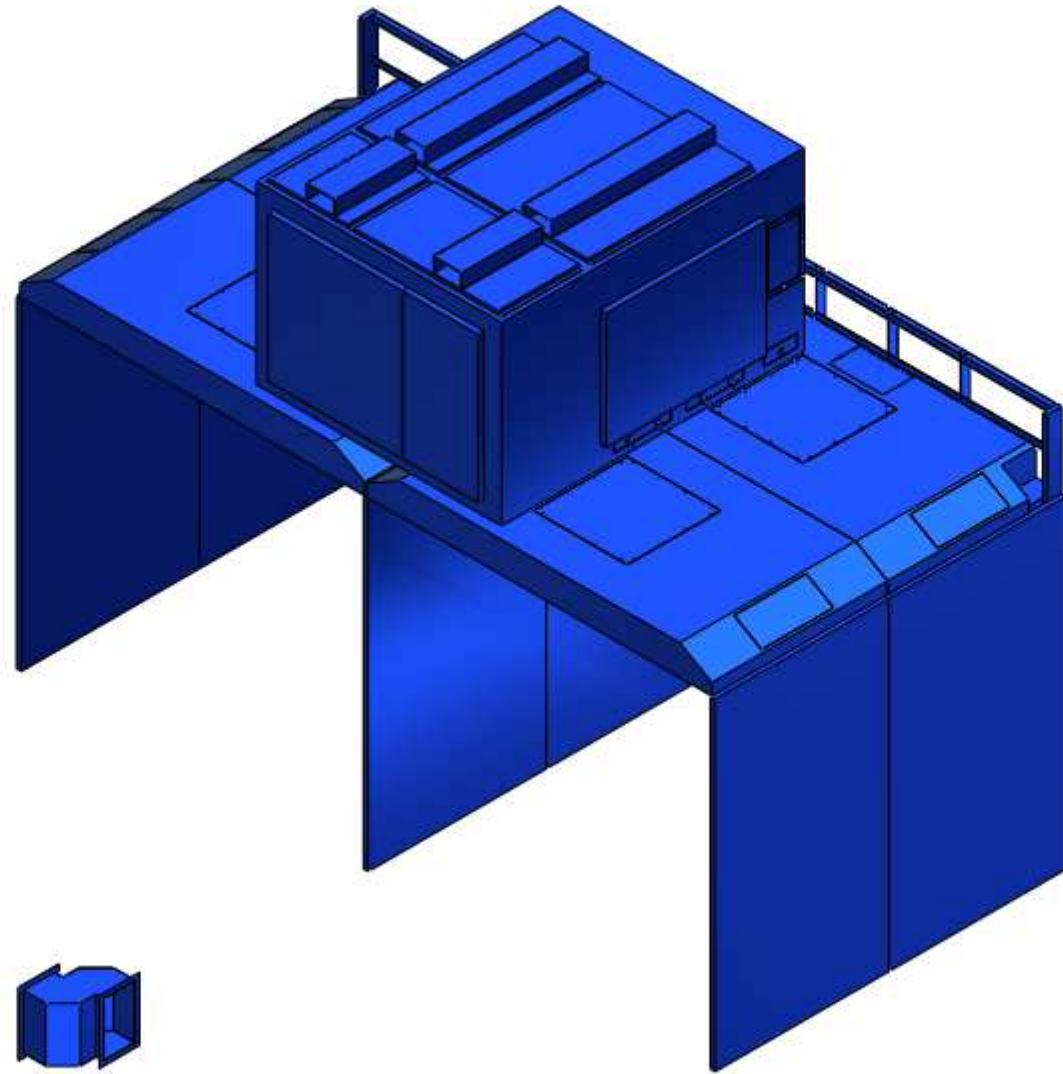
M



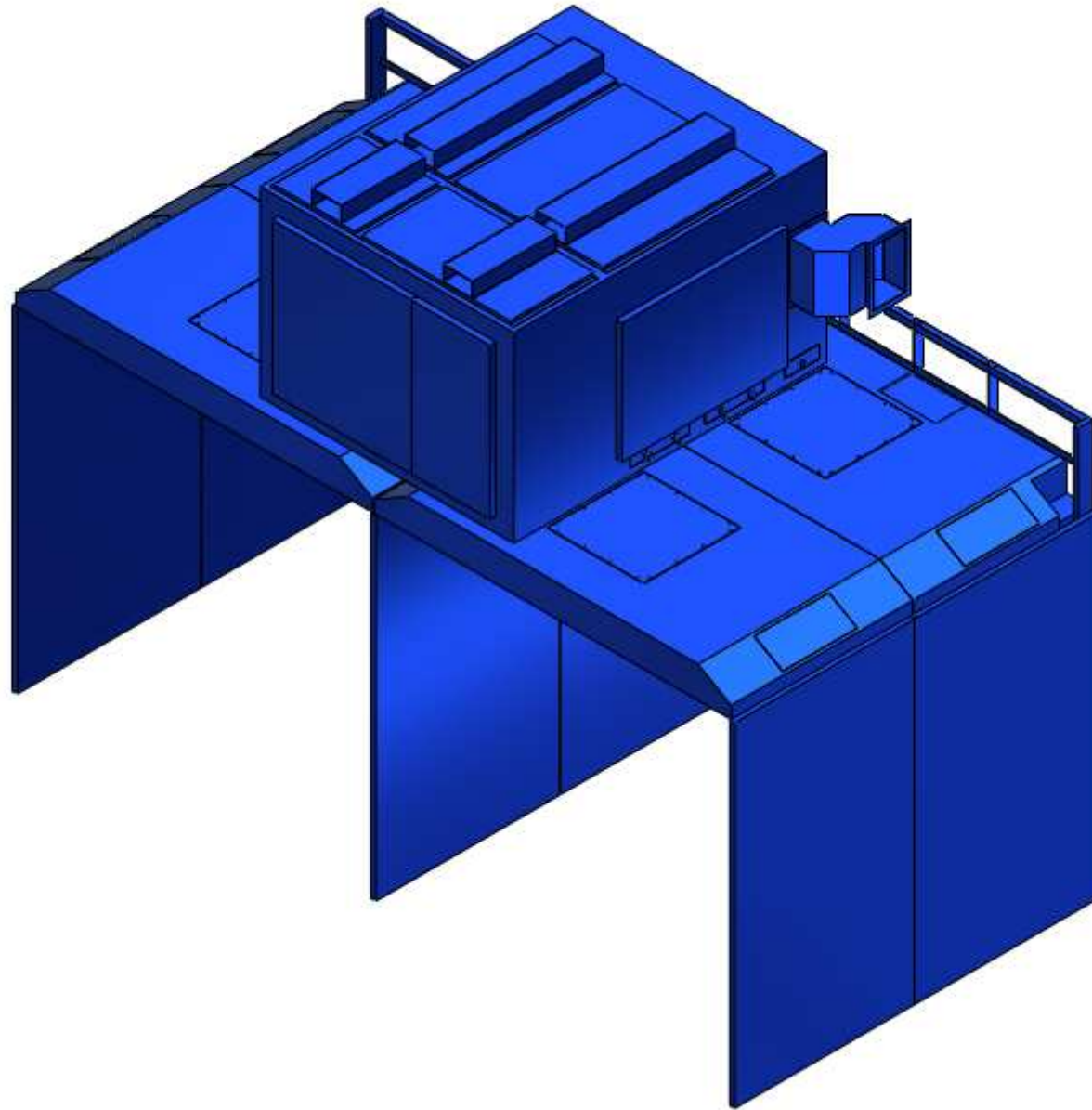
K

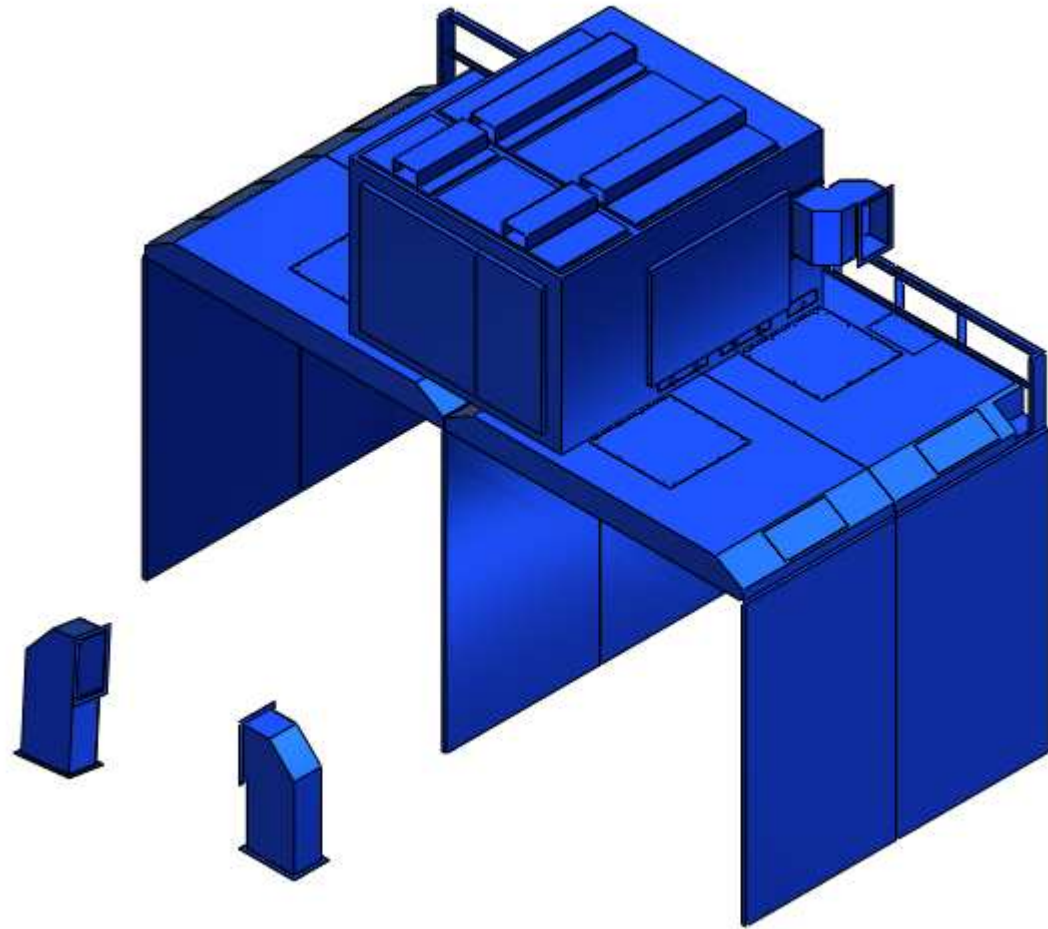


K



D





E

