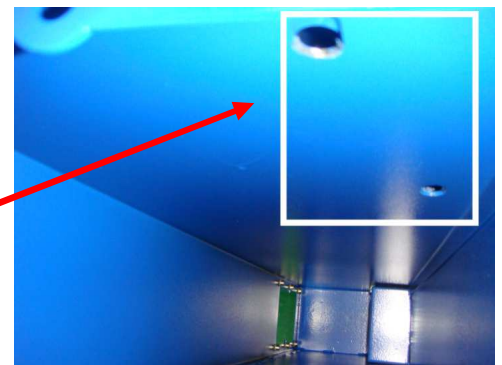
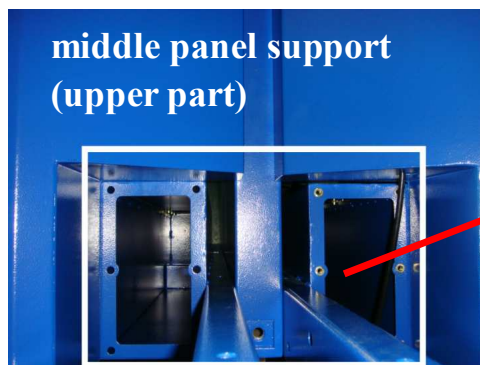
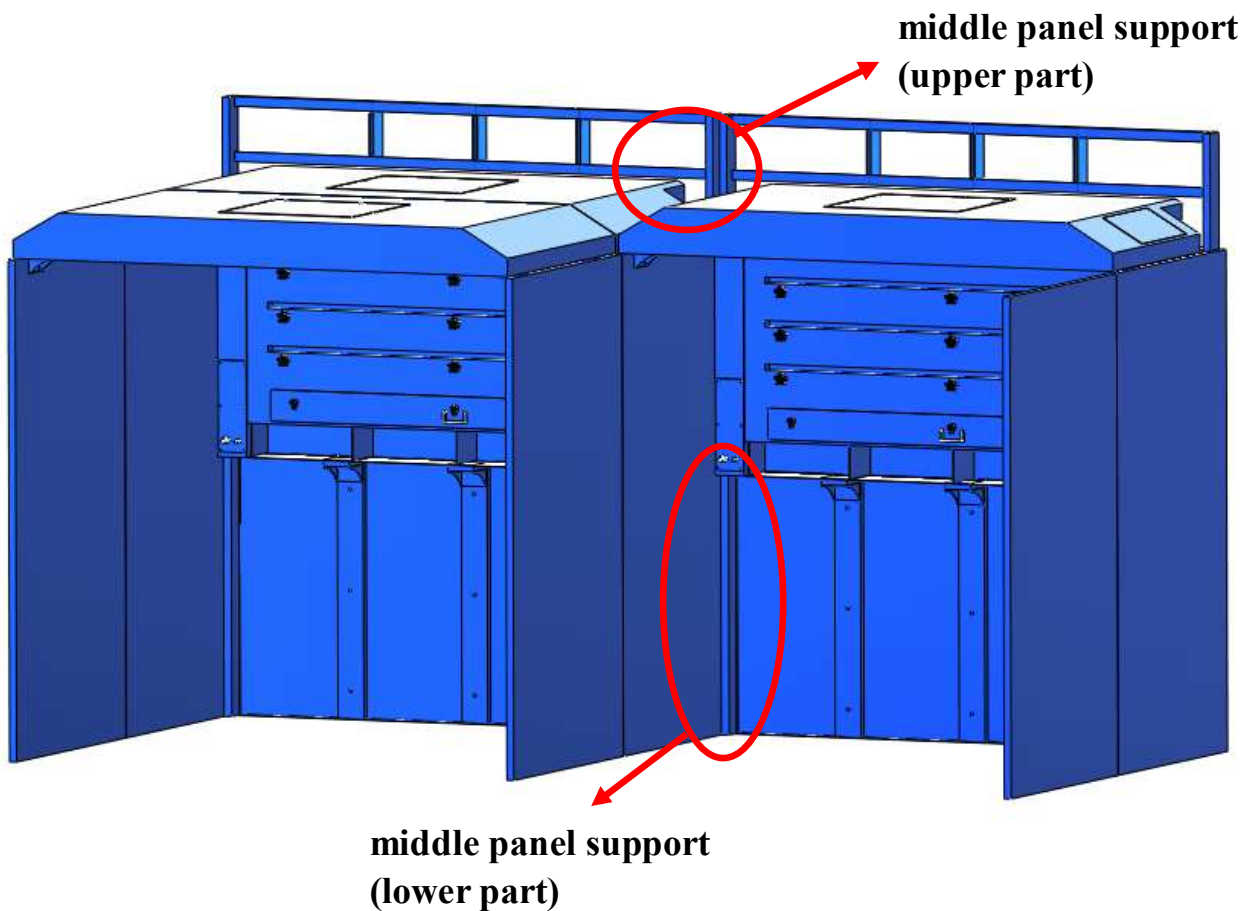


## Hardware Bags for WB-P-8x8AL

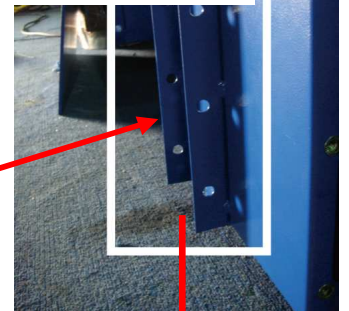
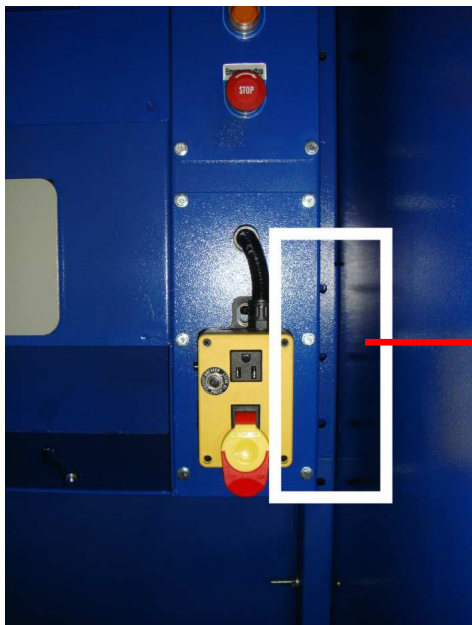
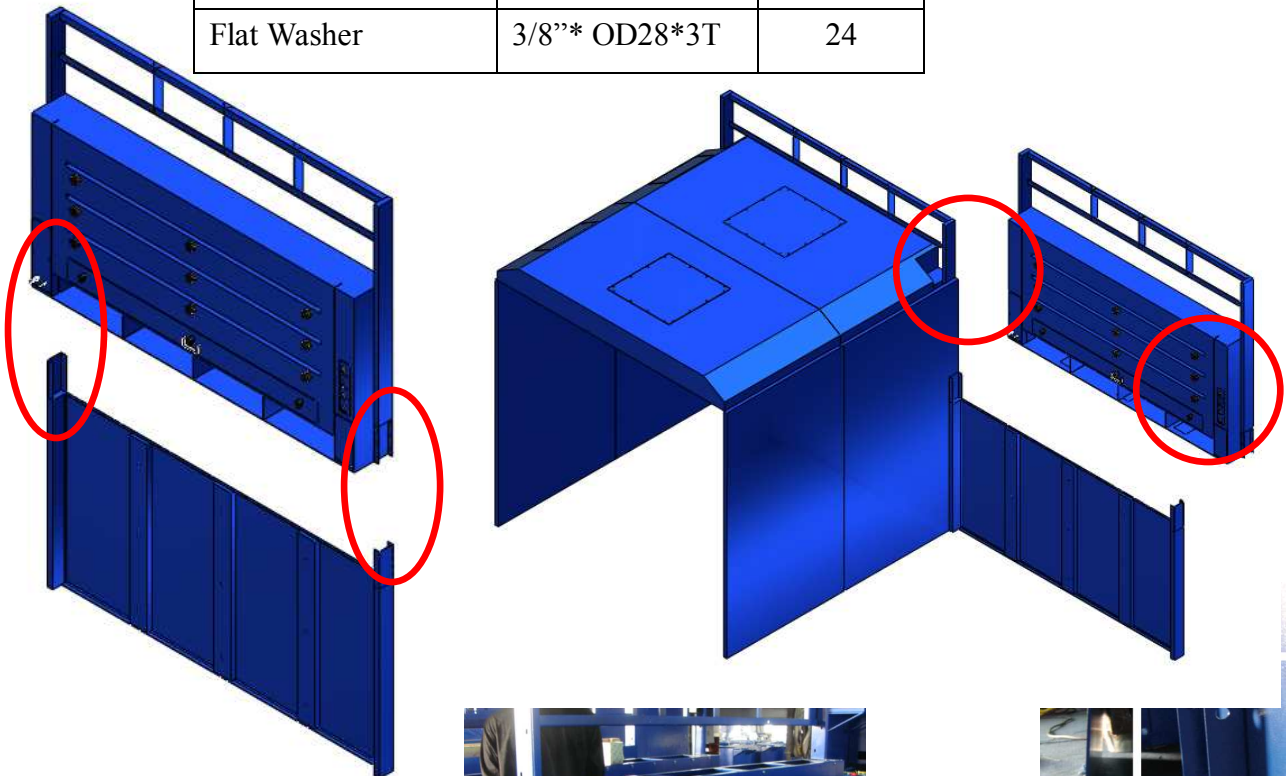
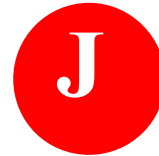
- ◆ **Hardware Bag 1 : middle panel support (upper & lower part) that connects the left and right booth.**

Description		Q'ty
Half-threaded screw	3/8"*7"	10
Hex Nut	3/8"	10
Flat Washer	3/8"* OD28*3T	20

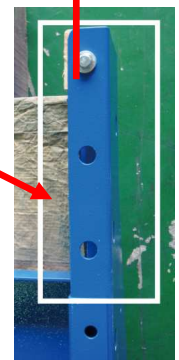


- ◆ **Hardware Bag 2 : fasten BL1 (backdraft module of the left booth) to BL2 (lower back panel of the left booth). Fasten BR1 (backdraft module of the right booth) to BR2 (lower back panel of the right booth).**

Description		Q'ty
Half-threaded screw	3/8"*5"	12
Hex Nut	3/8"	12
Flat Washer	3/8"* OD28*3T	24

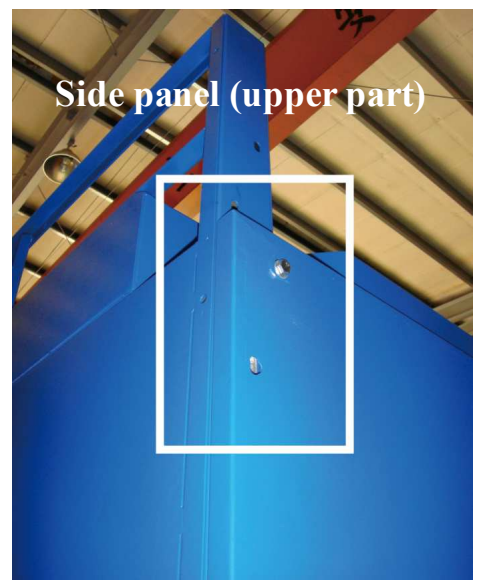
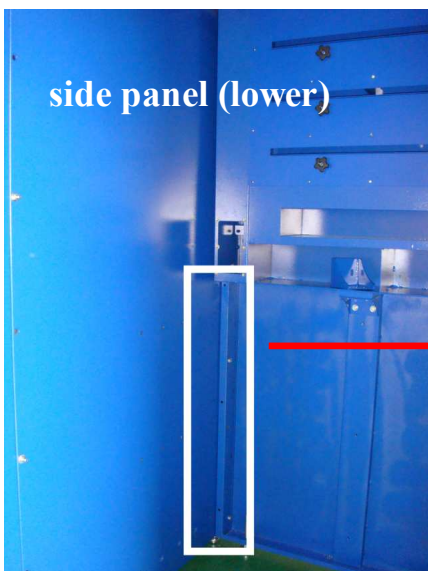
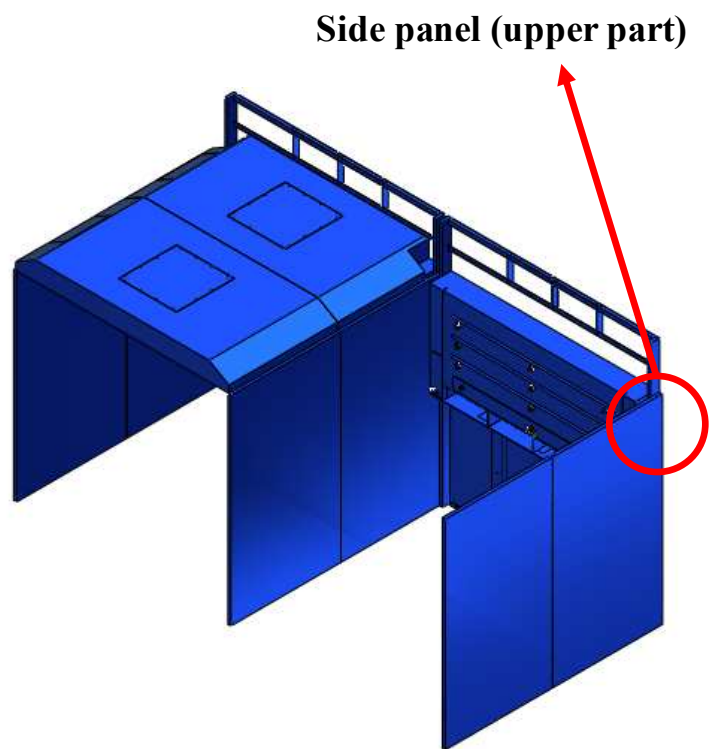
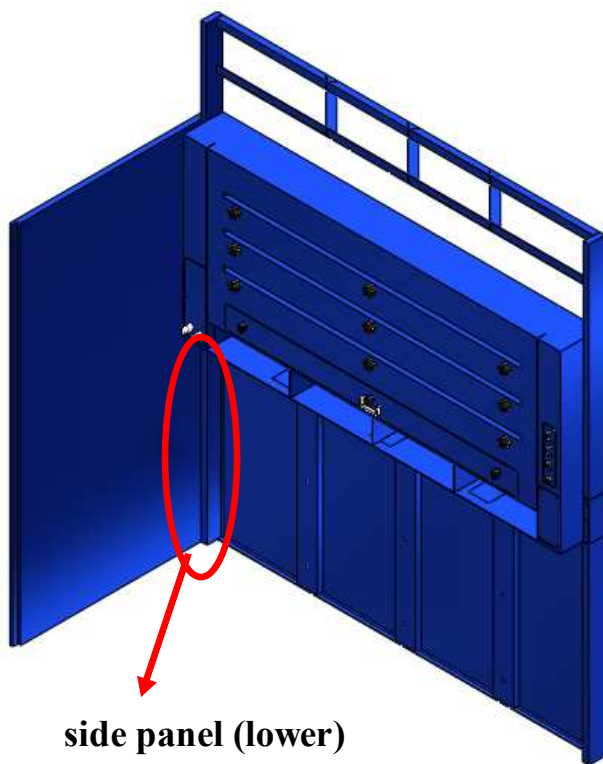
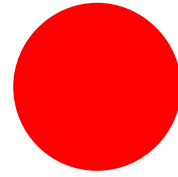


**Connection**



◆ **Hardware Bag 3 : fasten the left and right side panels to the back panel.**

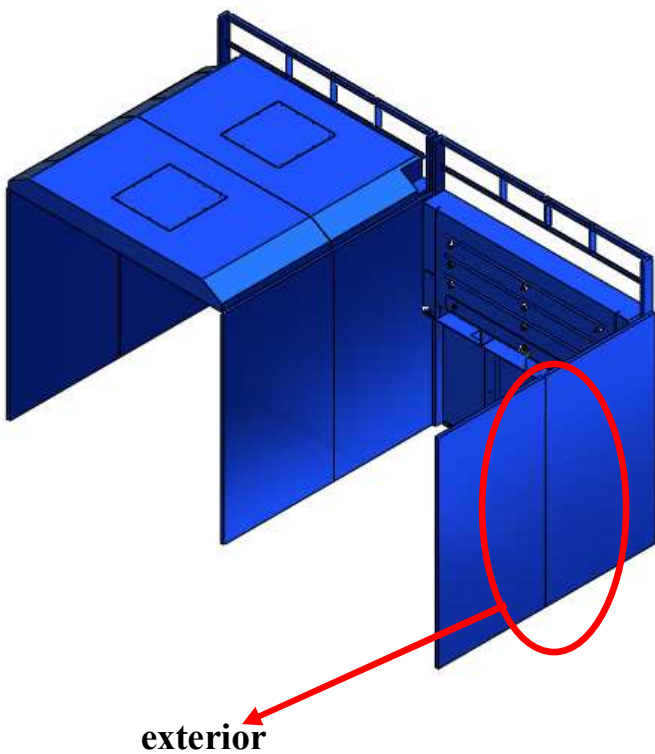
Description		Q'ty
Half-threaded screw	3/8"*4"	28
Hex Nut	3/8"	28
Flat Washer	3/8"* OD28*3T	56



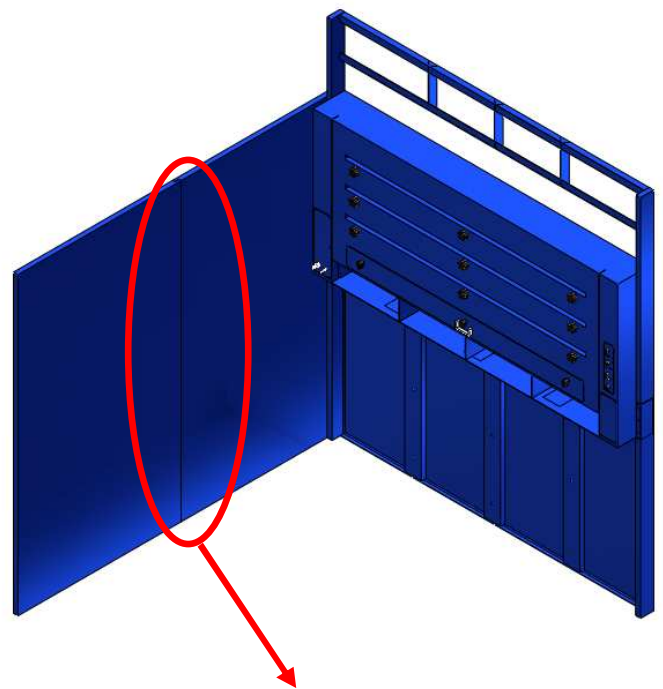


- ◆ **Hardware 4 : adjacency of the side panels. (1 side panel is composed of 2 pcs small side panels)**

Description		Q'ty
Hex Screw	3/8"*2"	14
Hex Nut	3/8"	14
Flat Washer	3/8"* OD28*3T	28



**exterior**

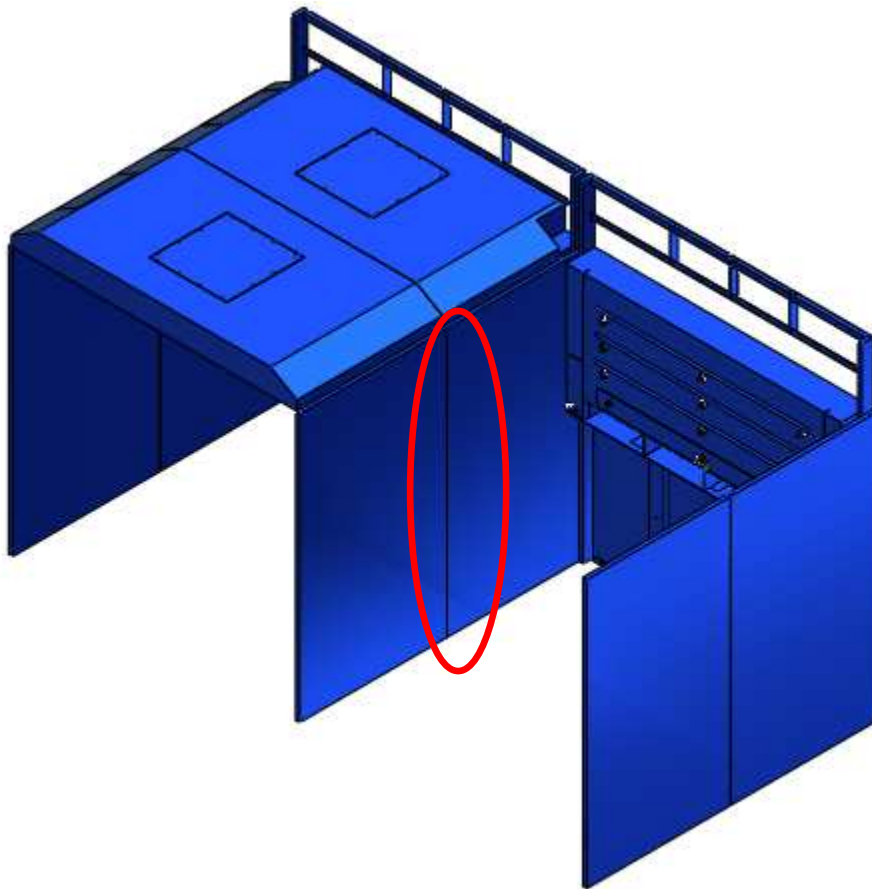


**interior**



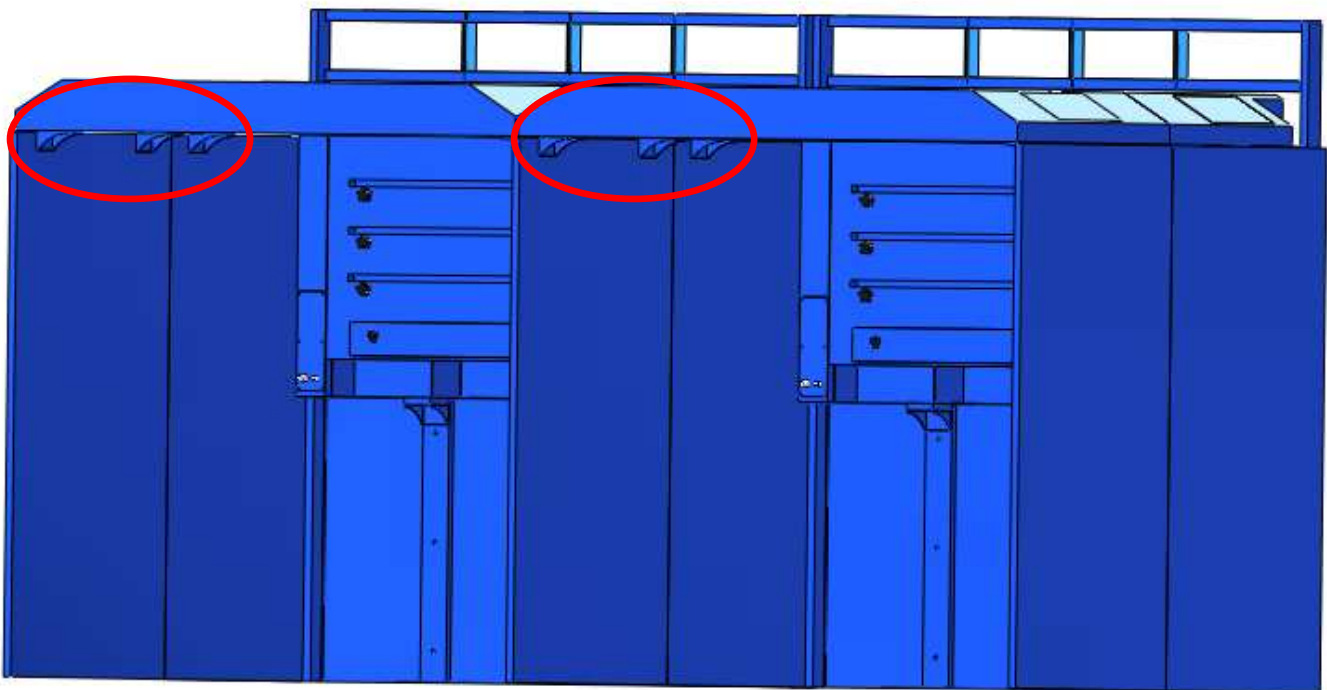
- ◆ **Hardware Bag 5 : adjacency of the middle panels. (1 middle panel is composed of 2 pcs small middle panels)**

Description		Q'ty
Half-threaded screw	3/8"*3-1/2"	7
Hex Nut	3/8"	7
Flat Washer	3/8"* OD28*3T	14



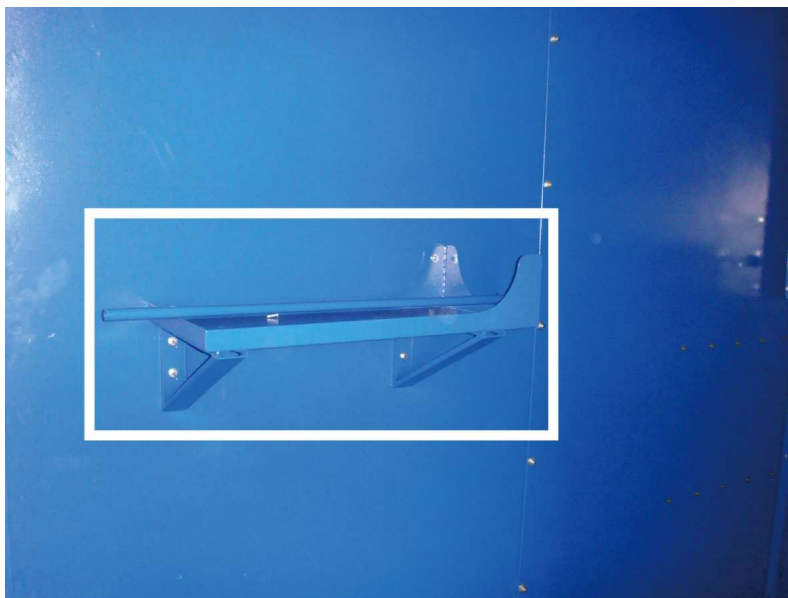
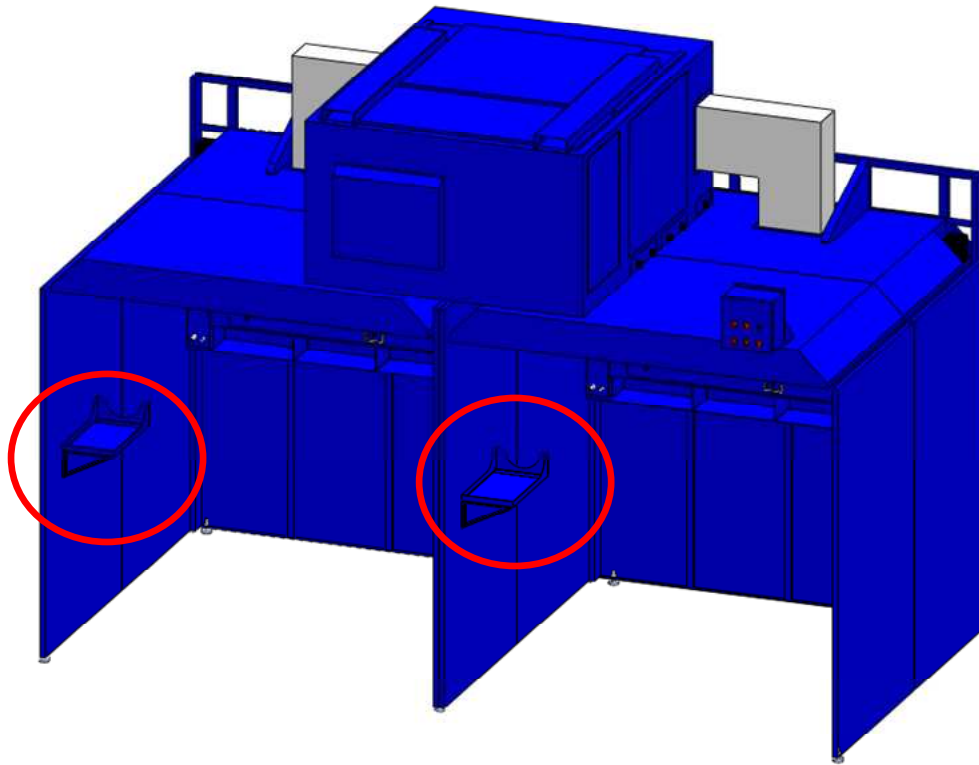
- ◆ **Hardware Bag 6 : attaching hypotenuse corner gussets at the panels, below the top hood draft. (3 pcs on each panel side, total 12 pcs for the two booths sitting together)**

Description		Q'ty
Hex Screw	3/8"*3/4"	72
Flat Washer	3/8"* OD23*2T	72



◆ **Hardware Bag 7 : CO2 bracket. (1 pcs in each booth)**

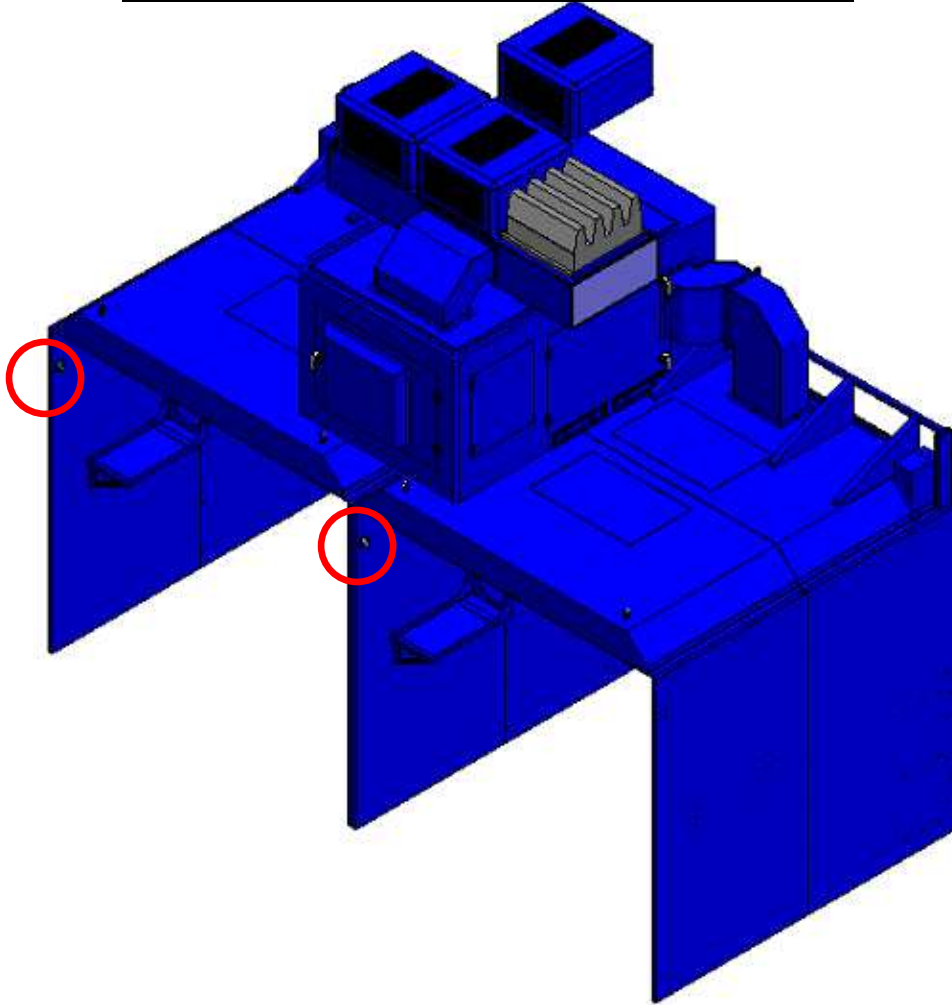
Description		Q'ty
Hex Screw	5/16"*3/4"	14
Flat Washer	5/16"*OD18*2T	14





◆ **Hardware Bag 8 : curtain rods. (2 pcs in each booth)**

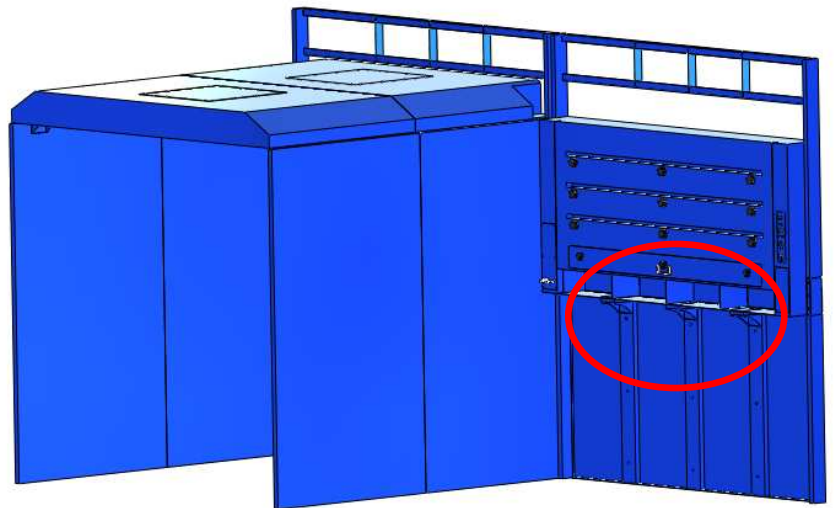
Description		Q'ty
Hex Screw	5/16''*3/4''	16
Flat Washer	5/16''*OD18*2T	16





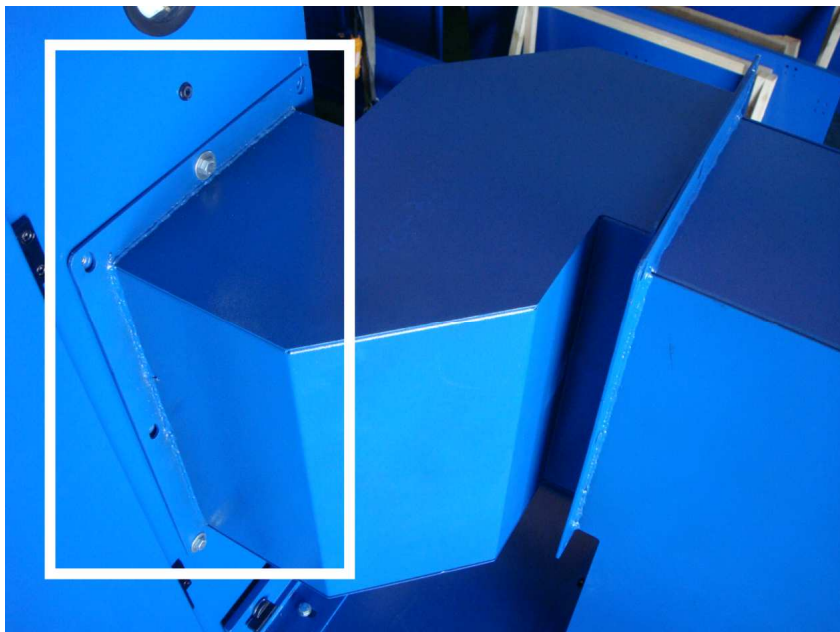
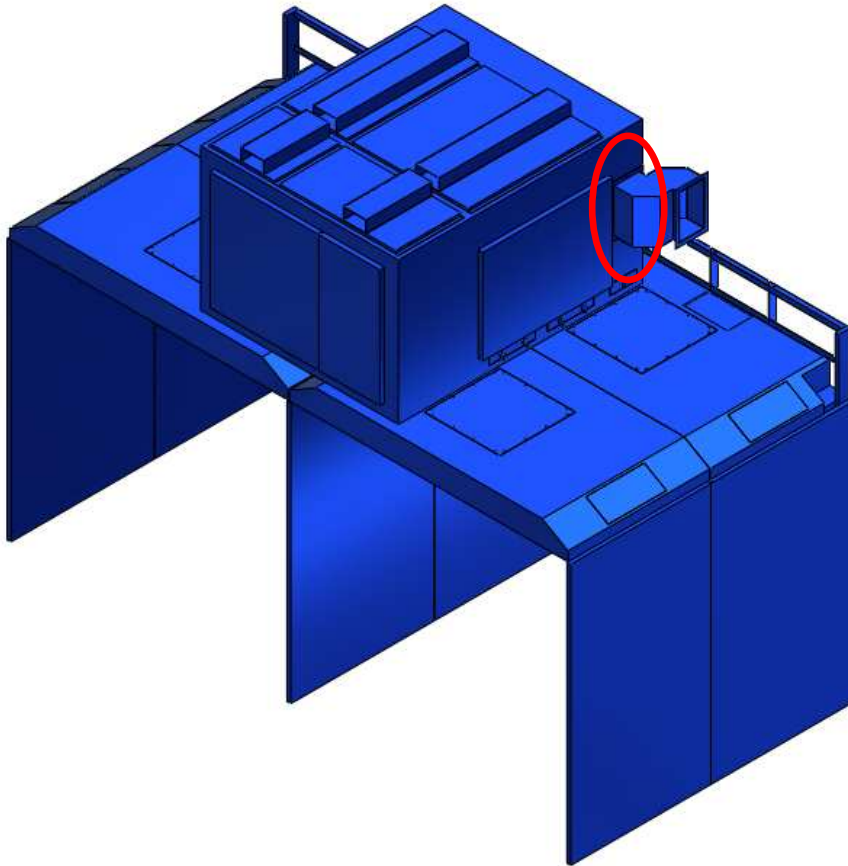
- ◆ **Hardware Bag 9 : attaching corner gussets under the open shelf (3 pcs for each booth) side panel hypotenuse corner gusset.**

Description		Q'ty
Hex Screw	3/8"*3/4"	48
Flat Washer	3/8"* OD23*2T	48



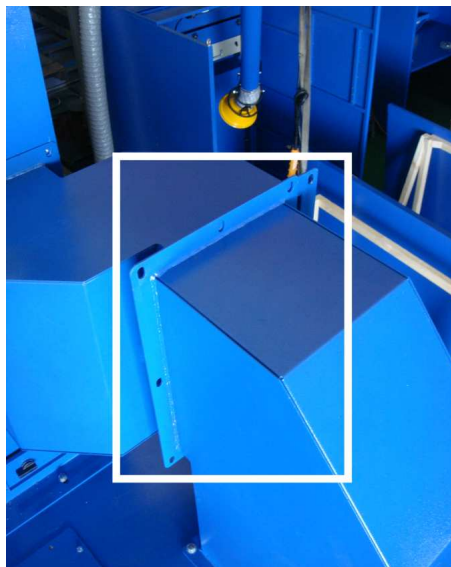
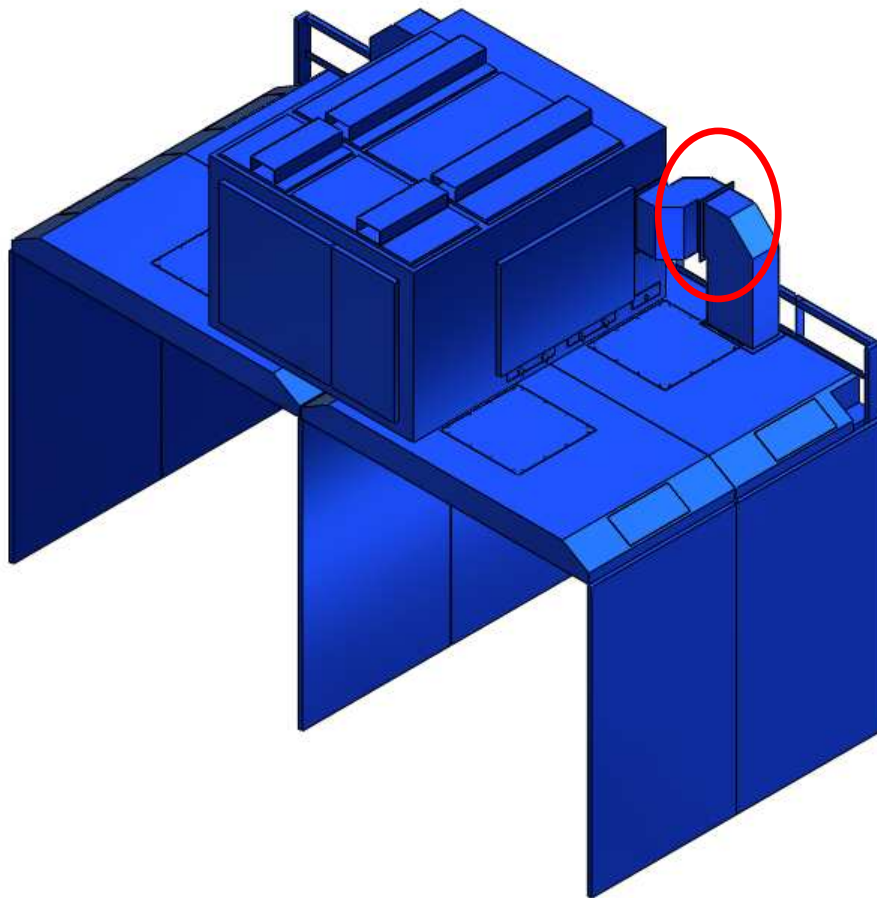
◆ **Hardware Bag 10 : attach the z-shape connector to TMC-10-8.**

Description		Q'ty
Hex Screw	3/8"*3/4"	16
Flat Washer	3/8"* OD23*2T	16



- ◆ **Hardware Bag 11 : fasten the silencer to the z-shape connector. (1 pc for each booth top)**

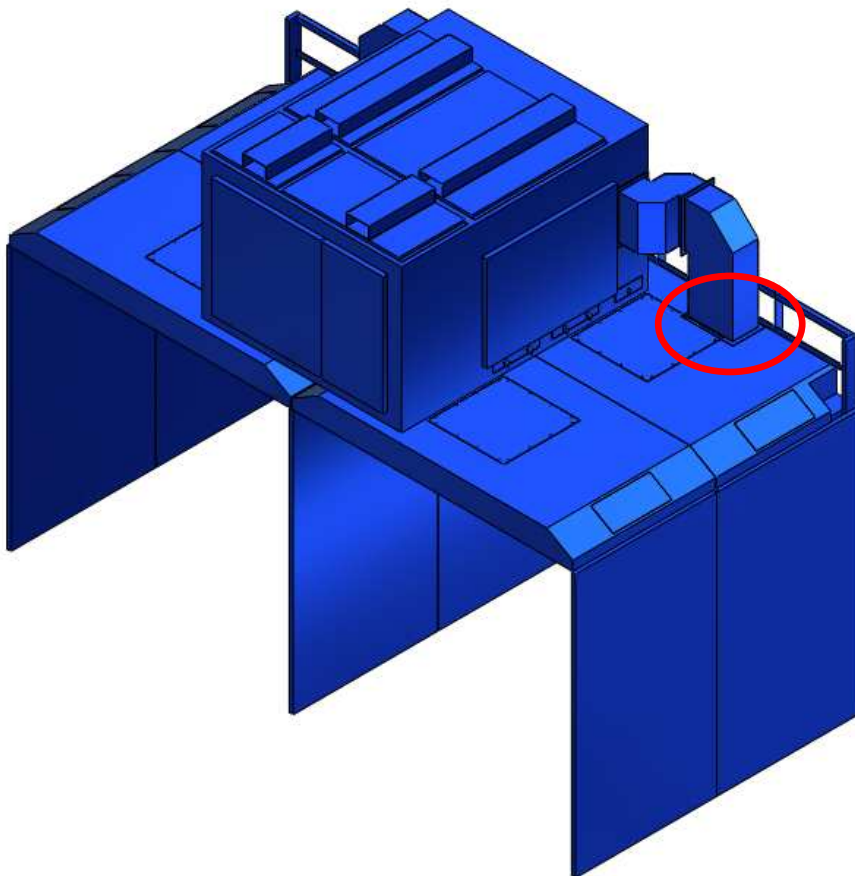
Description		Q'ty
Hex Screw	3/8"*3/4"	16
Hex Nut	3/8"	16
Flat Washer	3/8"* OD23*2T	32





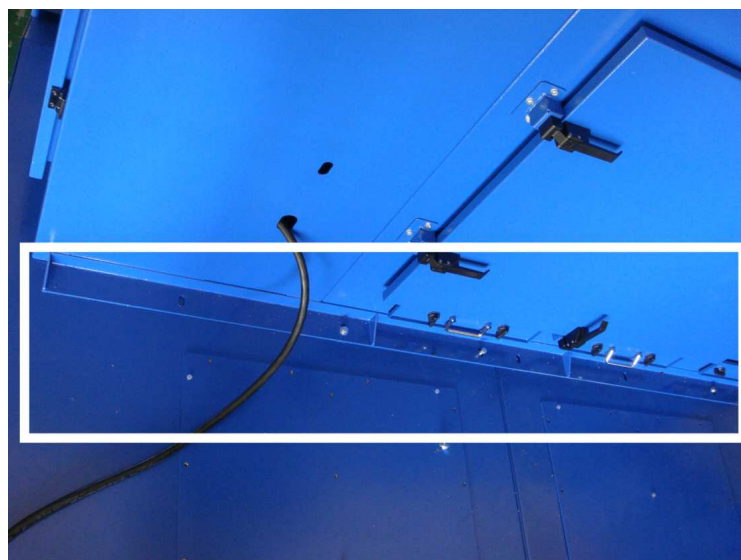
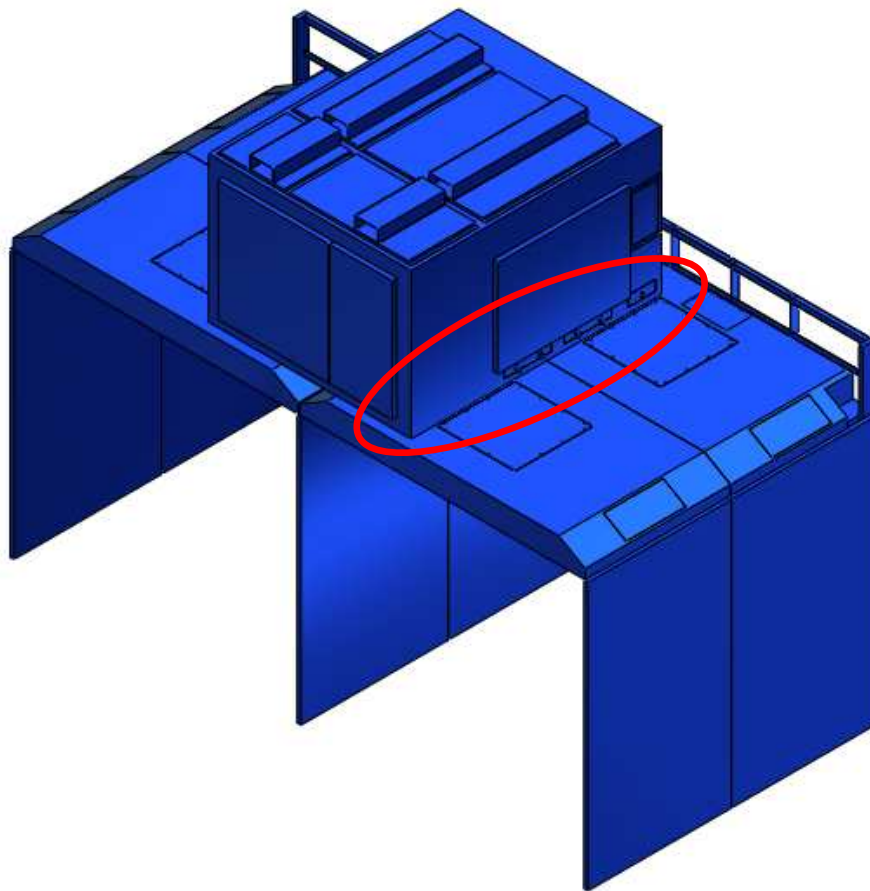
- ◆ **Hardware Bag 12 : Secure the silencer to the top of the hood. (1 pc for each booth top).**

Description		Q'ty
Hex Screw	3/8"*3/4"	16
Flat Washer	3/8"* OD23*2T	16



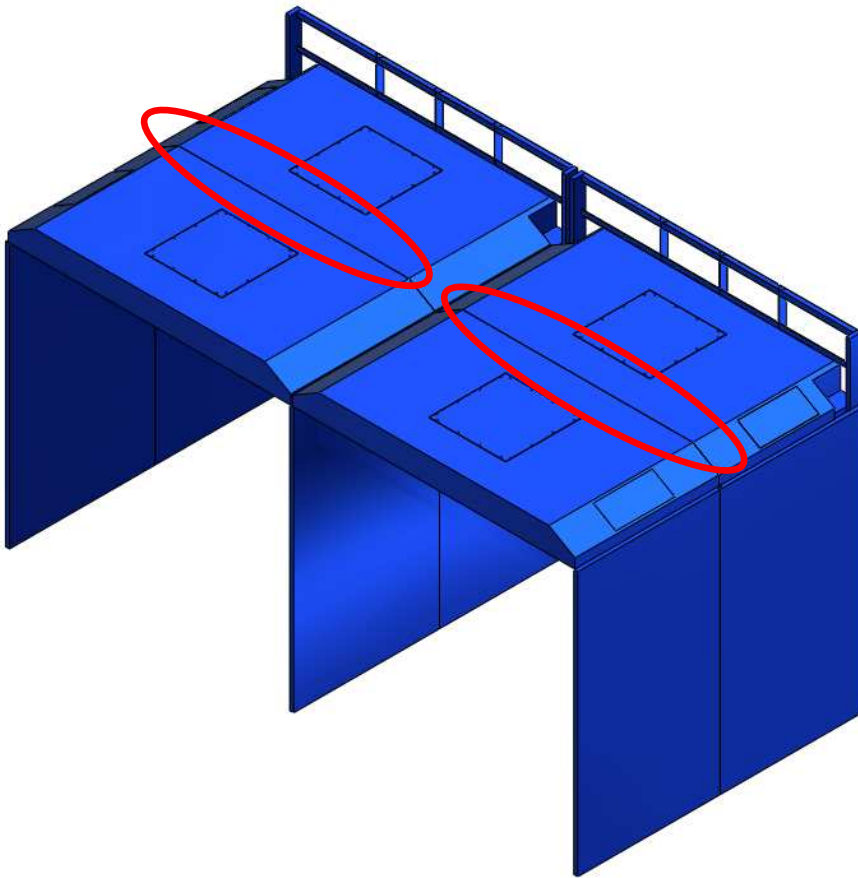
◆ **Hardware Bag 13 : adjacence of the top mount collector**  
**TMC-10-8 above the hood.**

Description		Q'ty
Hex Screw	3/8"*3/4"	12
Flat Washer	3/8"* OD23*2T	12



◆ **Hardware Bag 14 : adjacence of the front/back part of the top hood draft.**

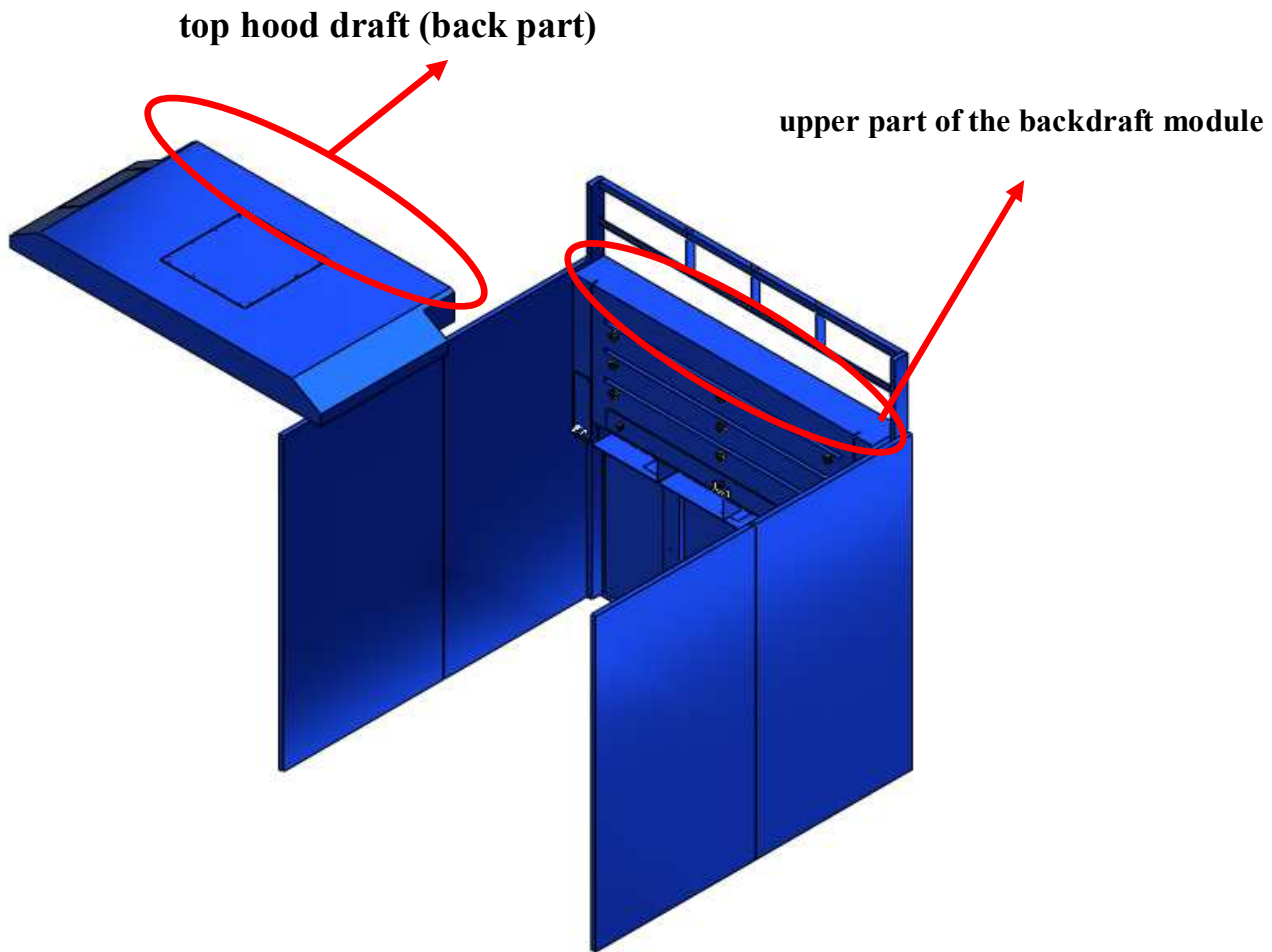
Description		Q'ty
Hex Screw	3/8"*1"	24
Hex Nut	3/8"	24
Flat Washer	3/8"* OD23*2T	48





◆ **Hardware Bag 15 : adjacence of the top hood draft (back part) and upper part of the backdraft module.**

Description		Q'ty
Hex Screw	3/8"*1"	24
Hex Nut	3/8"	24
Flat Washer	3/8"* OD23*2T	48

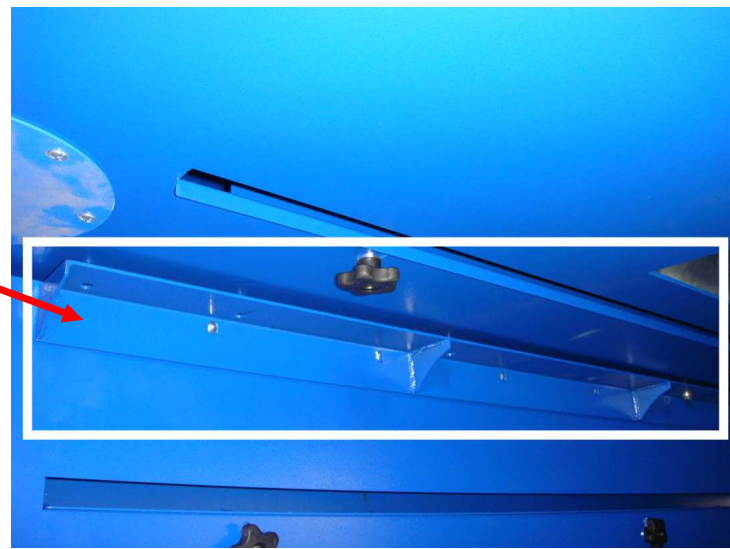
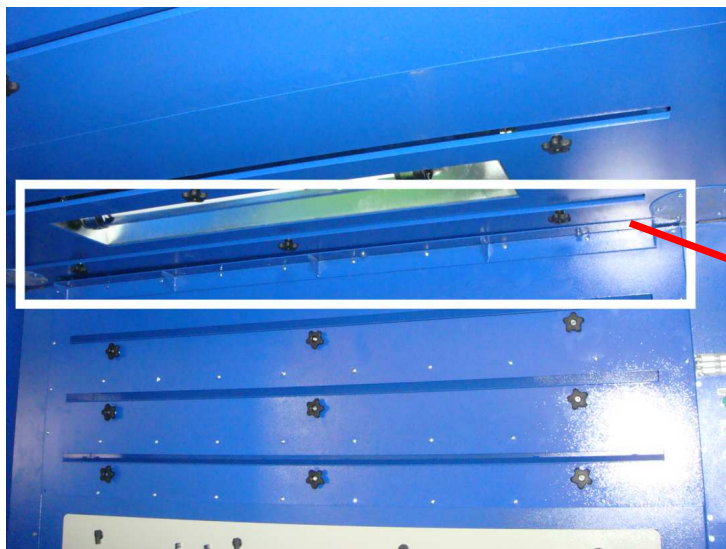
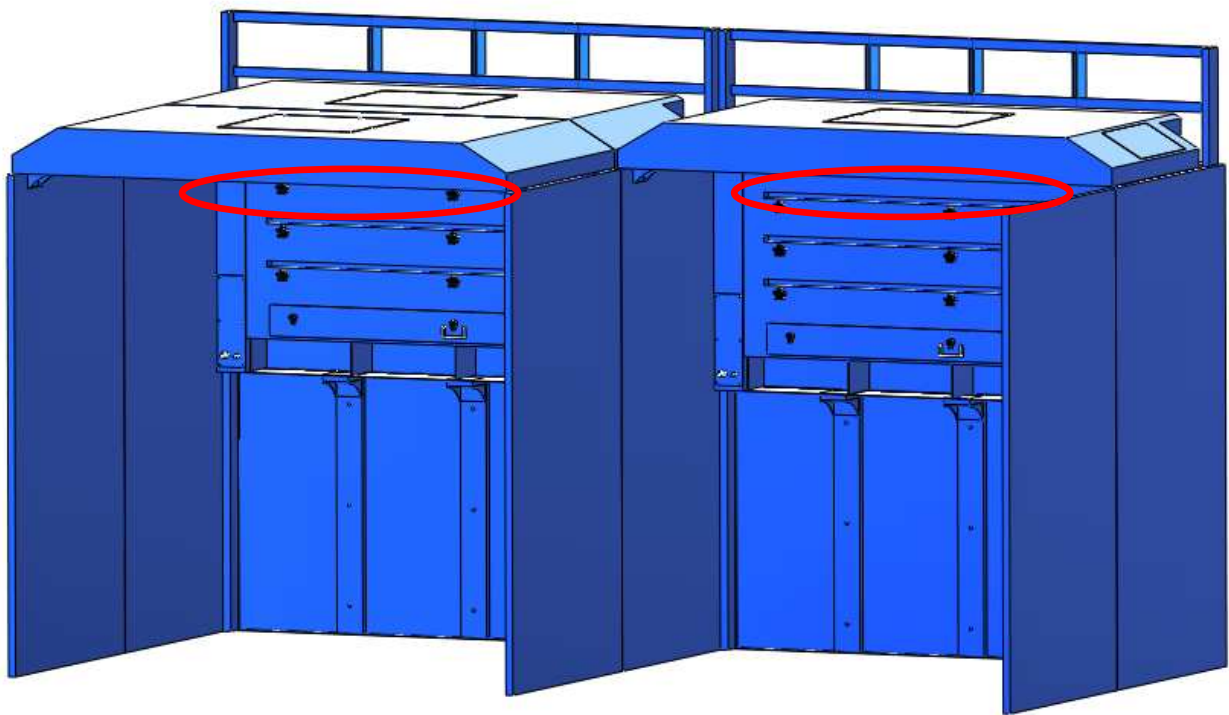


**upper part of the backdraft module**

**top hood draft (back part)**

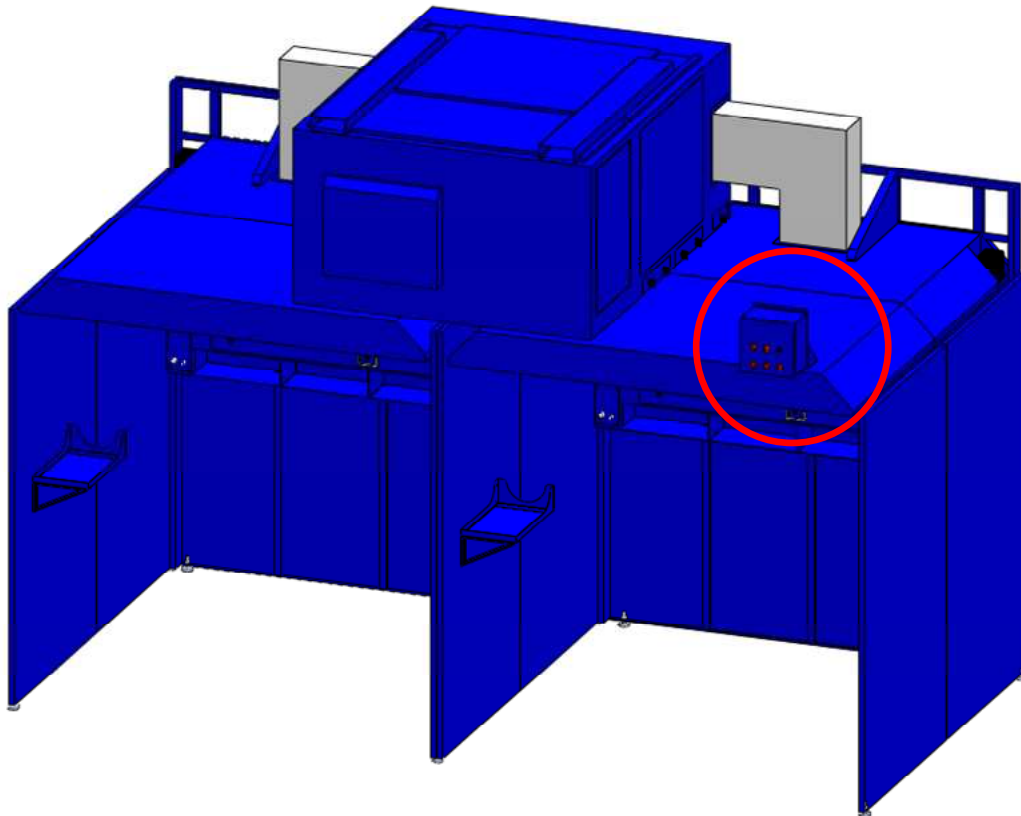
◆ Hardware Bag 16 : gussets for top hood draft. (back part)

Description		Q'ty
Hex Screw	3/8"*3/4"	8
Flat Washer	3/8"* OD23*2T	8



◆ **Hardware Bag 17 : UL control box sitting on the hood.**

Description		Q'ty
Hex Screw	3/8"*3/4"	4
Flat Washer	3/8"* OD23*2T	4





◆ **Hardware Bag 18 : Hardware required for securing the connector from the top of the TMC-10-8 to HEPA modules.**

Description		Q'ty
Hex Screw	3/8"*3/4"	20
Flat Washer	3/8"* OD23*2T	20

