

Evan  
Turner

Buck Boost Co.

200V/3

to  
230V/3

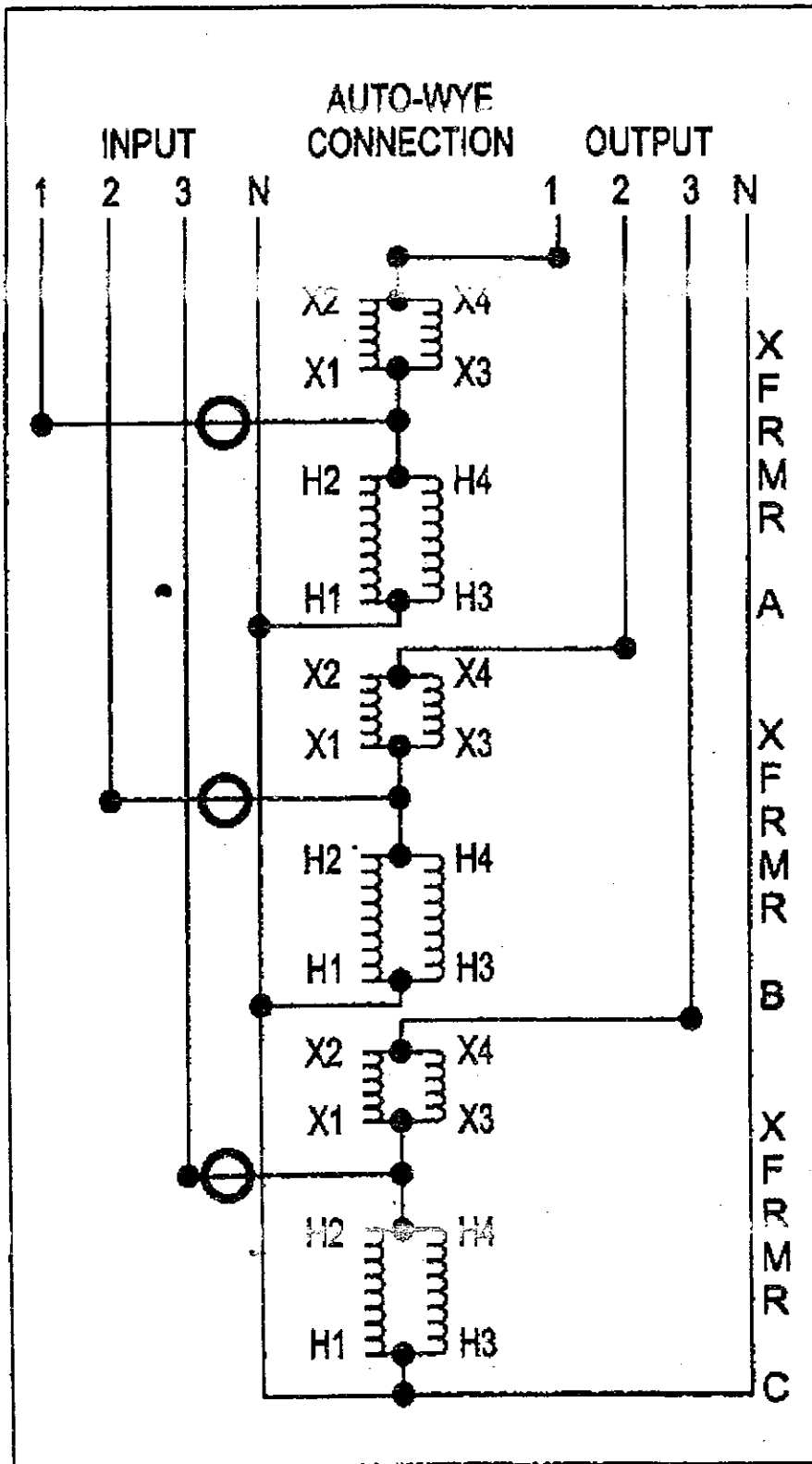


Diagram J1 - Boosting