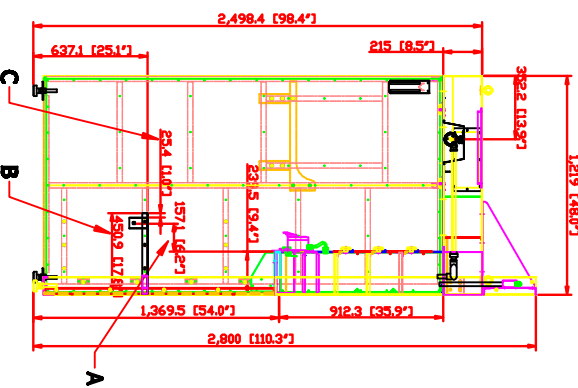
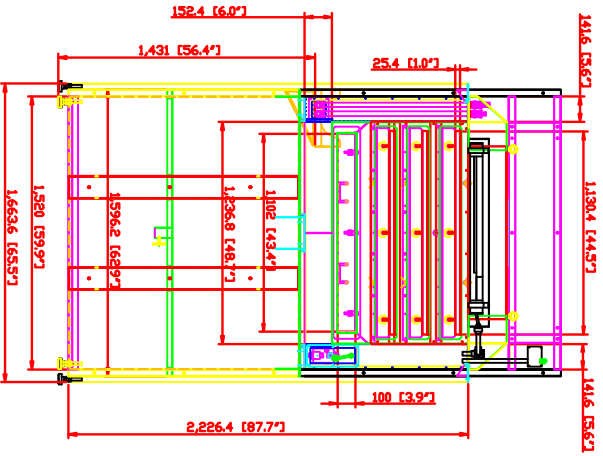
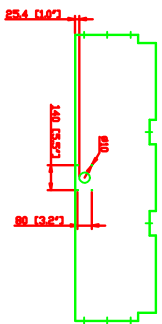
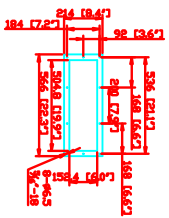
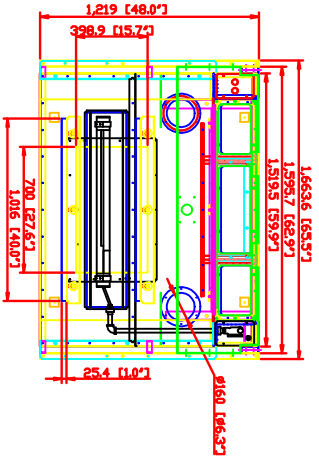


DO NOT SCALE

IF IN DOUBT ASK



PPL, PA #3777

Rev	Description	Date	Approved

WB-6054 PREMIER WELDING BOOTH SPECIFICATIONS

- Hood Dimensions: 60" x 48" x 8.5"
 - Back Draft Dimensions: 48.6" x 29.9" x 9.2" (incl. clean out drawer)
 - Hood Inlet Opening: 6" x 19.9" (119.4 square inches)
 - Hood Service Panel: Removable 27.6" x 15.7" service panel
 - Back Draft Adjustable Inlet Slats: (3) 1" x 44.7"
 - Hood Adjustable Inlet Slats: (2) 1" x 40"
 - Recessed Lights: (1) Explosion Proof Lights (110V, Single Phase, 60 Hz, 20W)
 - Adjustable Knobs: (15) 2 1/2" Fire Star Twists
 - Clean Out Drawer: 3.9" x 43.4" (10) with (3) hand twist locks
 - Back Draft Slusher: 6" x 48.7"
 - Adjustable Level System: (6) 2 1/2" Feet (maximum adjustment 5")
 - Support Structure: 1 1/2" x 4" steel stock welded
 - Panel Construction: 14-gauge welded steel angle wall with cross and up bracing
 - Welding Curtain Supports: (2) adjustable welding curtain brackets
 - Lifting Lugs: (4) Hood mounted lifting lugs to set and move hood or booth
 - Fume Arm Cooling Supports & Brackets: Bolt into the hood
 - Fume Arm Cover Plates: (2) cover plates (6 bolt pattern) to match optional dia. 6" fume arm
 - Powder Coated: Aven Safety Blue Standard (custom colors available)
 - Five Piece Configuration: (2) side panels, (1) back panel, (1) backdraft assembly, (1) hood/draft assembly
 - Booths can be mounted back-to-back, side-by-side or both options
 - Electrical Outlets: (2) 110V Outlets (additional single or three phase outlets available)
 - Light Switch: For overhead lights
 - Compressed Air Connection
 - CO2 or Gas Connection: (additional gas lines or compressed lines available)
 - Double Wall Construction (welded)
 - ***CO2 bracket
 - ***Adjustable Rear Shelf: 62.7"W x 17.8"D x 1.1"H (sold with 2" hole drilled)
- OPTIONS**
- Welded Nuts: Optional locations for J-hooks
 - Welding Nuts: For wire feeder or welder bracket
 - Adjustable Rear Shelf (solid, grated or cutting table)
 - Corner Slushes
 - Venting Windows
 - Custom Welding Brackets
 - Foot Lockers
 - Fixtures, Lazy Susans
 - Any option that can fit inside the booth or on the booth

AVANT ENVIRONMENTAL INTL, INC. Sales Department

95 O/press Drive (919) 570-2862

Youngsville, NC 27396 info@avantenvironmental.com

Date	Names	Part Number:	Title:
Drawn by: 2011-11-15	***	**	WB-6054
Checked by: 2011-11-11	***		

The drawings, AutoCAD, 3-D Models, and specifications are the property of Avant Environmental Intl, Inc. (AEI) and may not be reproduced, distributed, modified, or otherwise used, except provided herein, without the express written permission of AEI.

Size Scale Drawing Number:
A 1 = 35 WB-5-4p (PPL, PA)