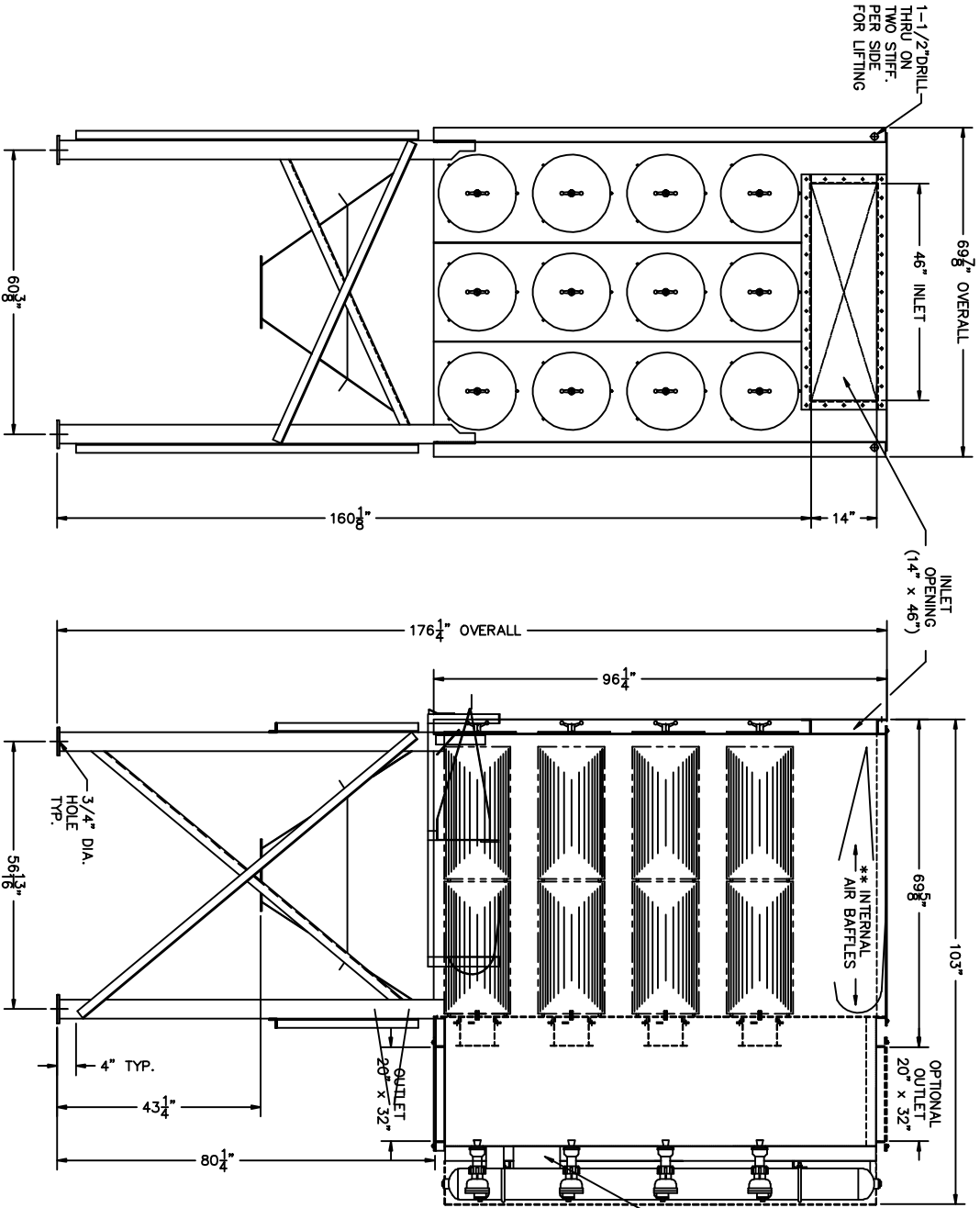


SIDE LOAD CARTRIDGE COLLECTOR MODEL SL-4-24



CONTROL BOX WITH
TIMER BOARD AND
MAGNETHELIC GAUGE.

SPECIFICATIONS:

1. NUMBER OF CARTRIDGES 24
2. FILTER SURFACE AREA * 3169/6432 SQ. FT.
3. COMPRESSED AIR REQUIRED 90-100 psig
4. NUMBER OF VALVES 12
5. CLEANING AIR REQUIRED 3.4-13.4 SCFM
6. INLET OPENING 14" x 46"
7. OUTLET OPENING 20" x 32"
8. NEMA 4 CONTROL PACKAGE 120 V.
9. HOUSING MATERIAL 1 PH, 60 HZ.
10. HOPPER FLANGE OPENING 11-1/4" x 11-1/4"

* CARTRIDGES:
- STD. DURATEX HAS 132 sq. ft. OF MEDIA
- DURATEX II HAS 288 sq. ft. OF MEDIA

** INTERNAL AIR BAFFLES FOR MODELS SL-1-6 AND
SMALLER ARE OPTIONAL. BAFFLES ON SIZES SL-2-8
AND LARGER ARE STANDARD EQUIPMENT.

SCIENTIFIC DUST COLLECTORS
4101 W. 126TH ST., ALSIP, ILLINOIS 60803
Manufactured in America